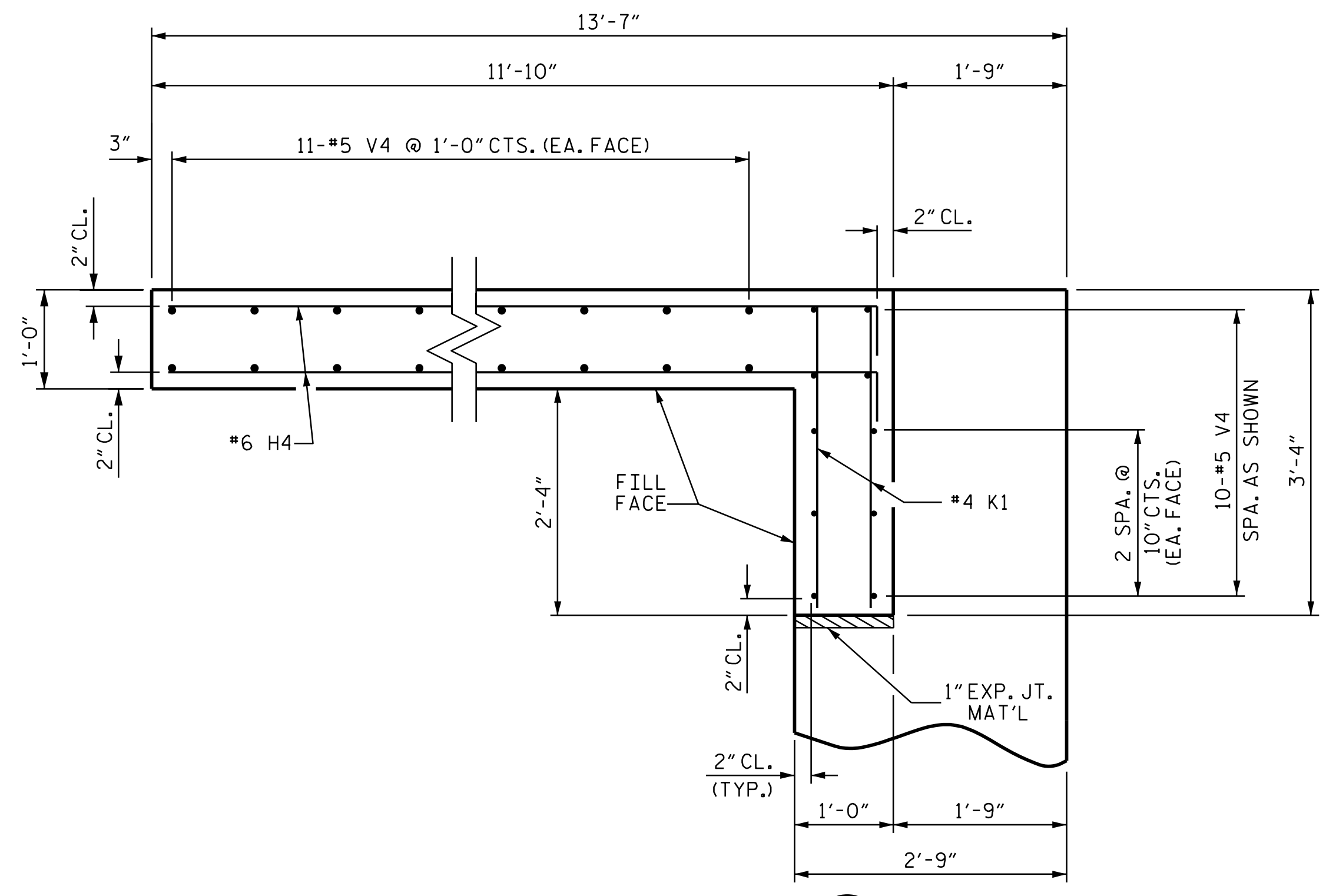
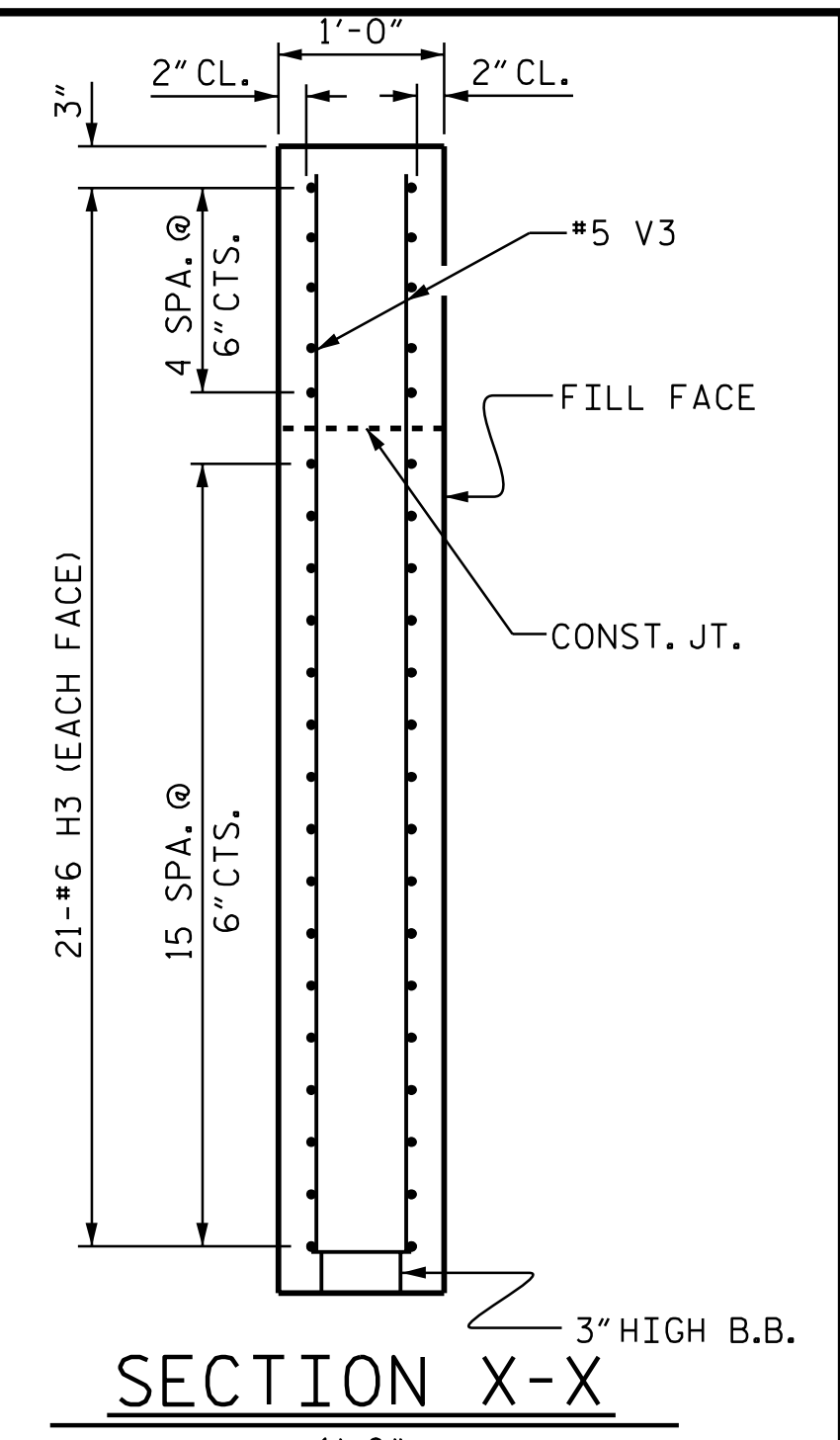


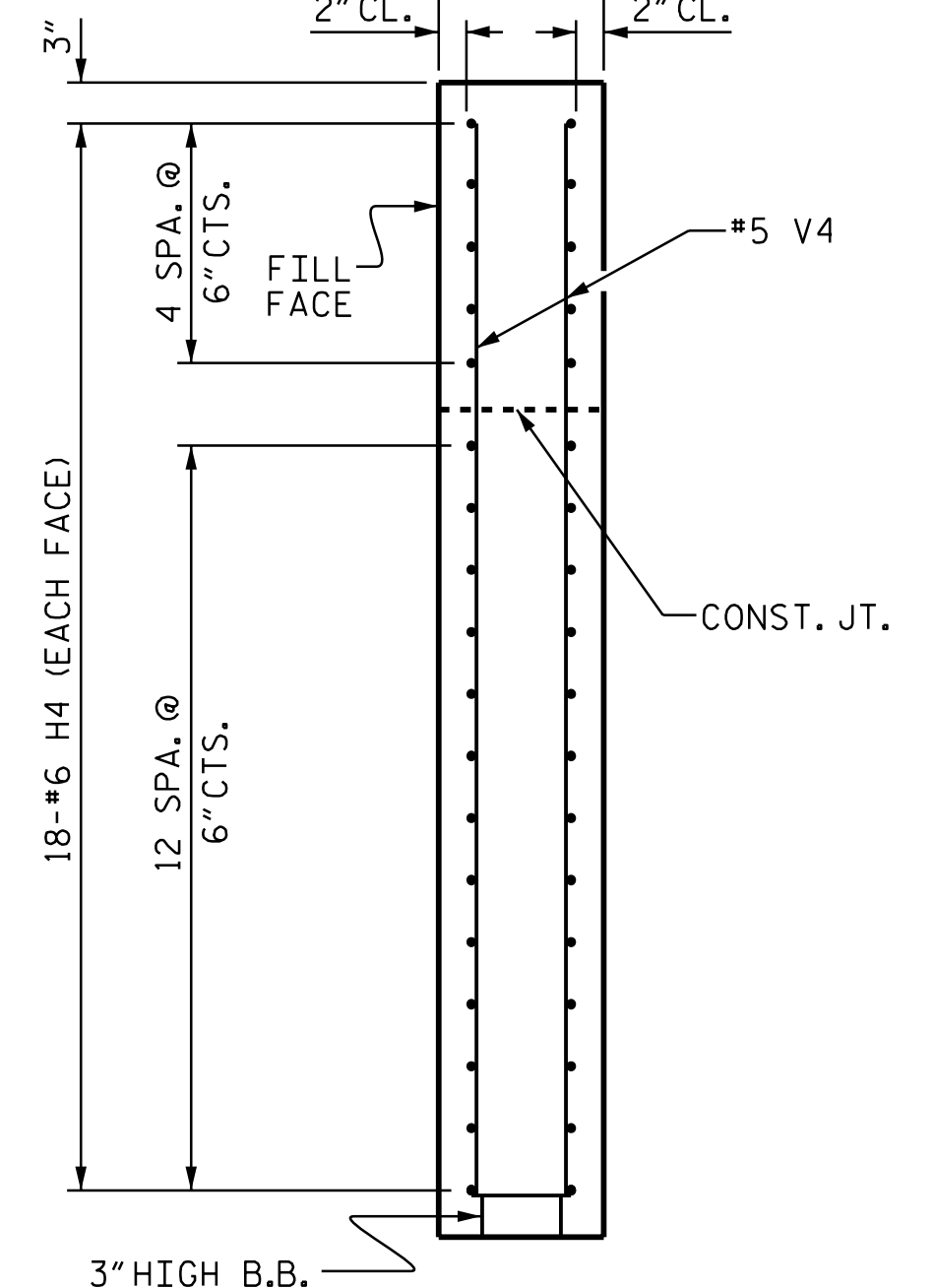
PLAN OF WING (W3)



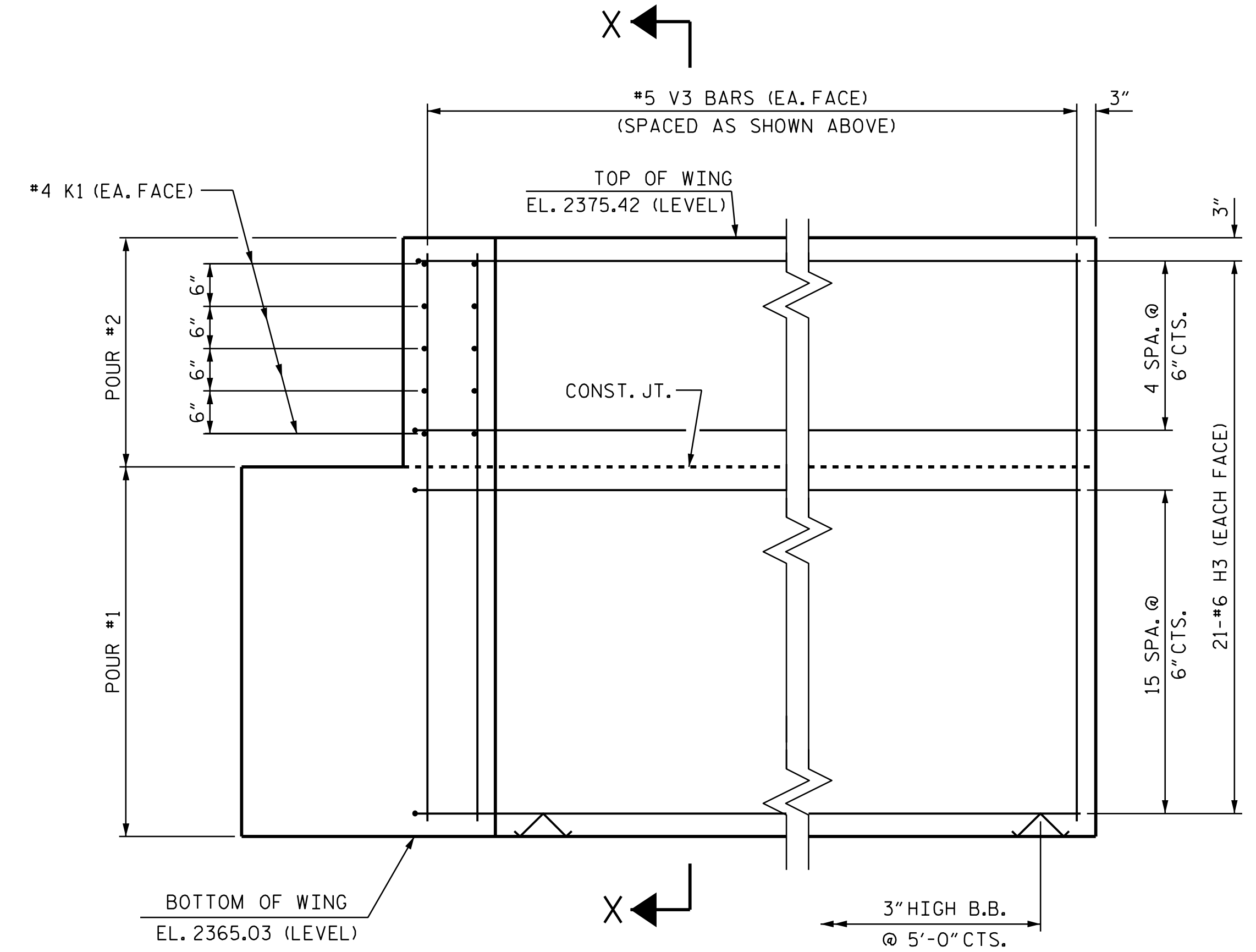
PLAN OF WING (W4)



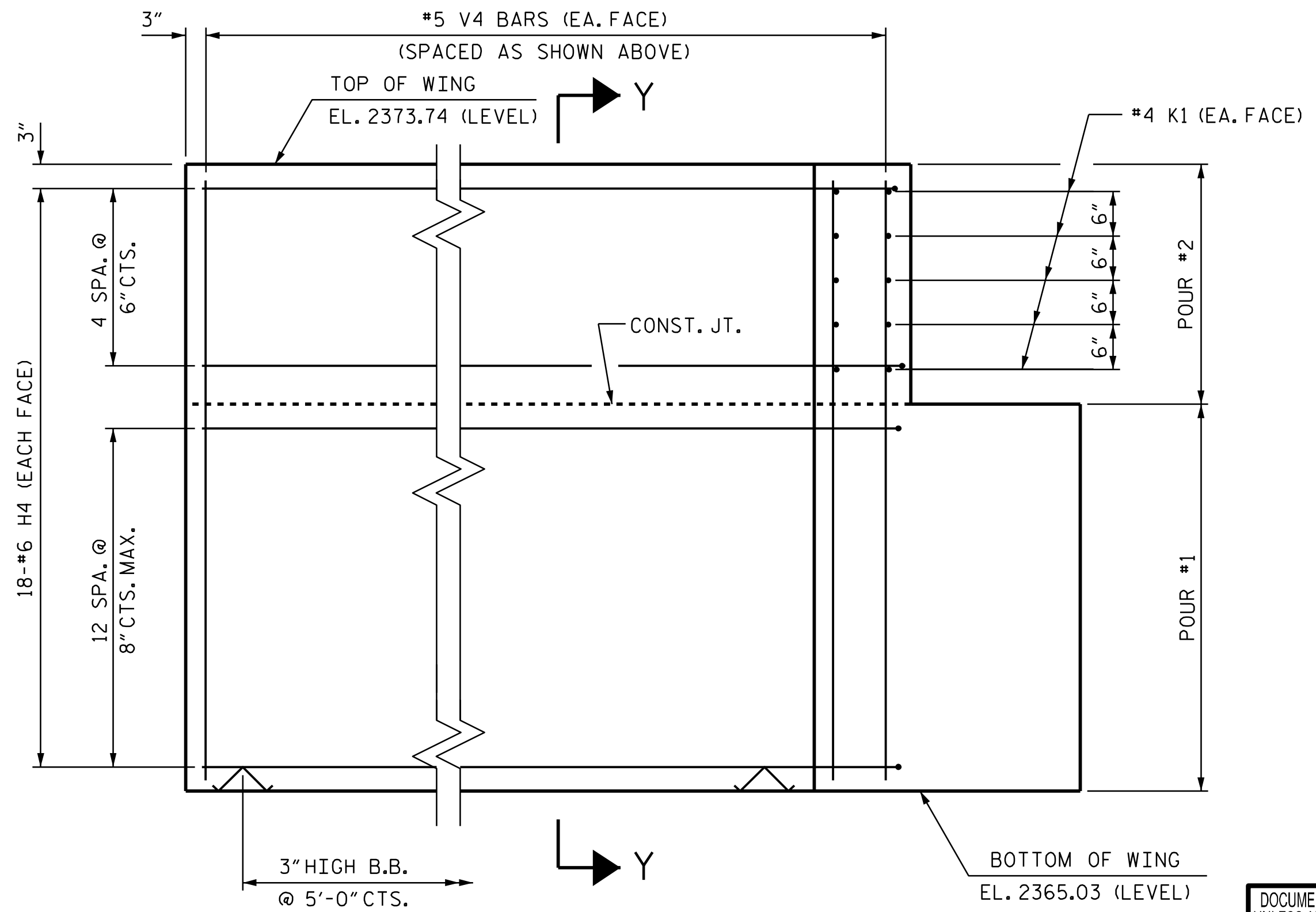
SECTION X-X



SECTION Y-Y



ELEVATION OF WING (W3)



ELEVATION OF WING (W4)

WING DETAILS

PROJECT NO. B-5893  
MITCHELL COUNTY  
 STATION: 12+89.50 -L-  
 SHEET 3 OF 4

STATE OF NORTH CAROLINA  
 DEPARTMENT OF TRANSPORTATION  
 RALEIGH

SUBSTRUCTURE  
 END BENT No. 2  
 WING DETAILS

DOCUMENT NOT CONSIDERED FINAL  
 UNLESS ALL SIGNATURES COMPLETED

3/24/2023

Seal of J. Wheatley, Professional Engineer, License No. 036787

**WSP**

WSP USA Inc.  
 434 FAYETTEVILLE STREET  
 SUITE 1500  
 RALEIGH, NC 27601  
 TEL: 1.919.836.4040  
 LICENSE NO. F-0165

REVISIONS						SHEET NO.
NO.	BY:	DATE:	NO.	BY:	DATE:	TOTAL SHEETS
1			3			S-20
2			4			24

3/24/2023  
 J:\188906R-14 B-5893 BRIDGE 19 over Cub Creek Structures\2.0 Drafting\Drawings\401.041.B5893\_SMJ.E203.dgn

DESIGNED BY:	J. WHEATLEY	DATE :	MAR 2023
DRAWN BY:	J. WHEATLEY	DATE :	MAR 2023
CHECKED BY:	T. KIRSCHBAUM	DATE :	MAR 2023
DESIGN ENGINEER OF RECORD:	J. WHEATLEY	DATE :	MAR 2023