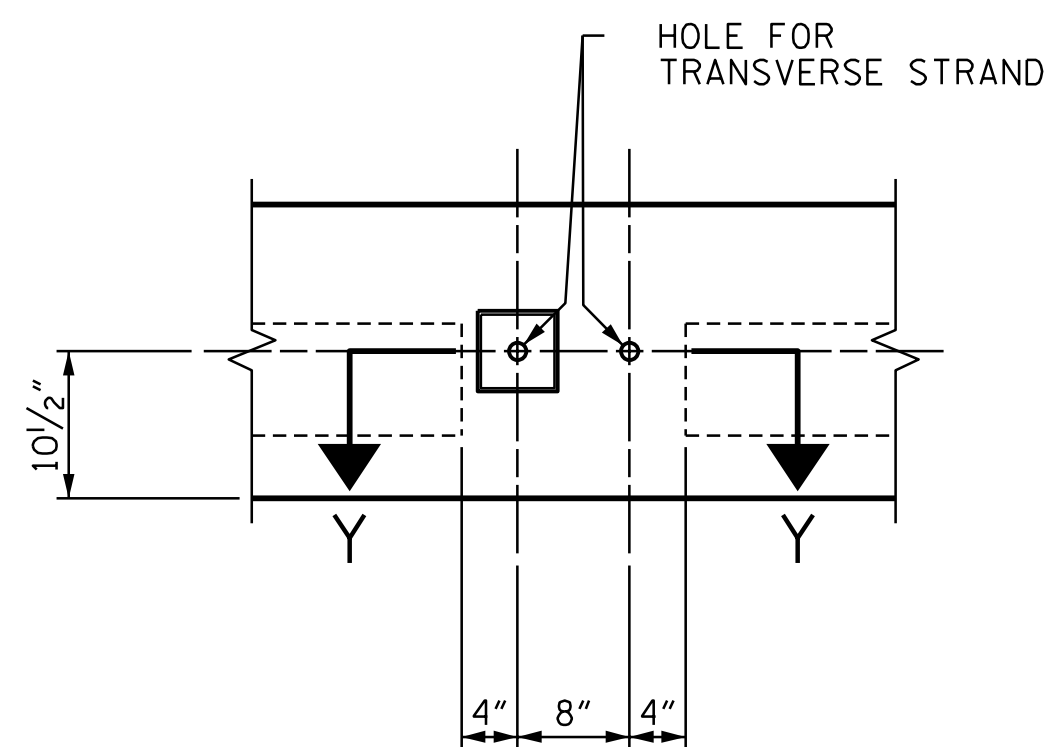
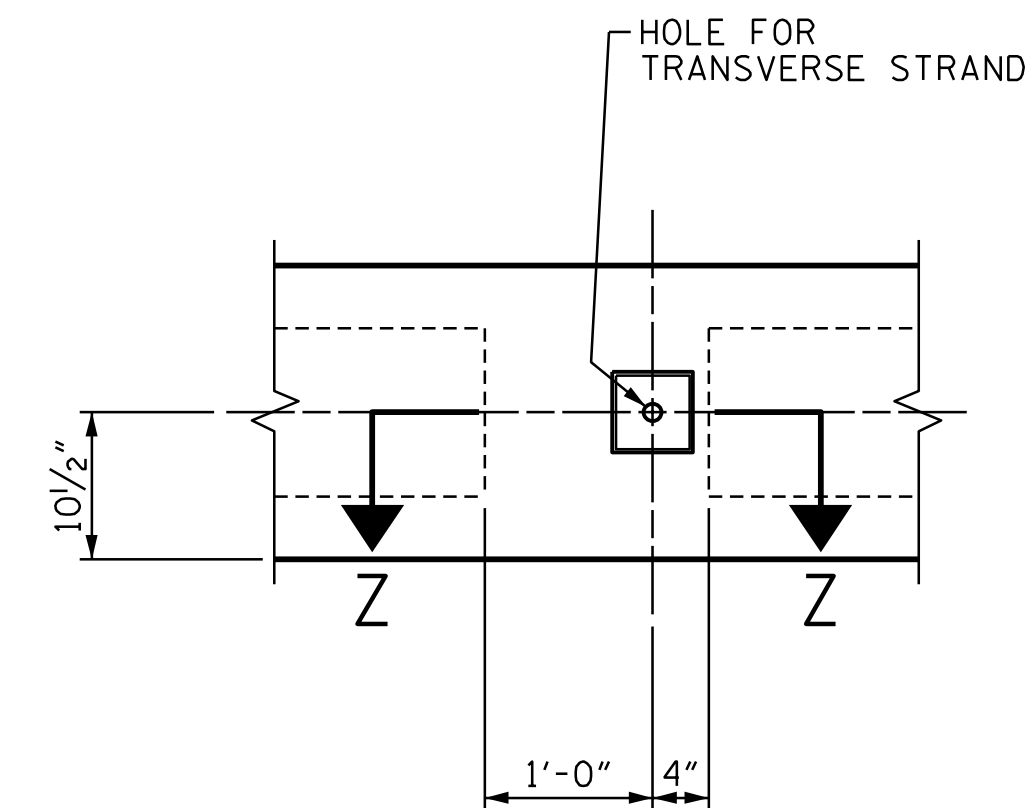


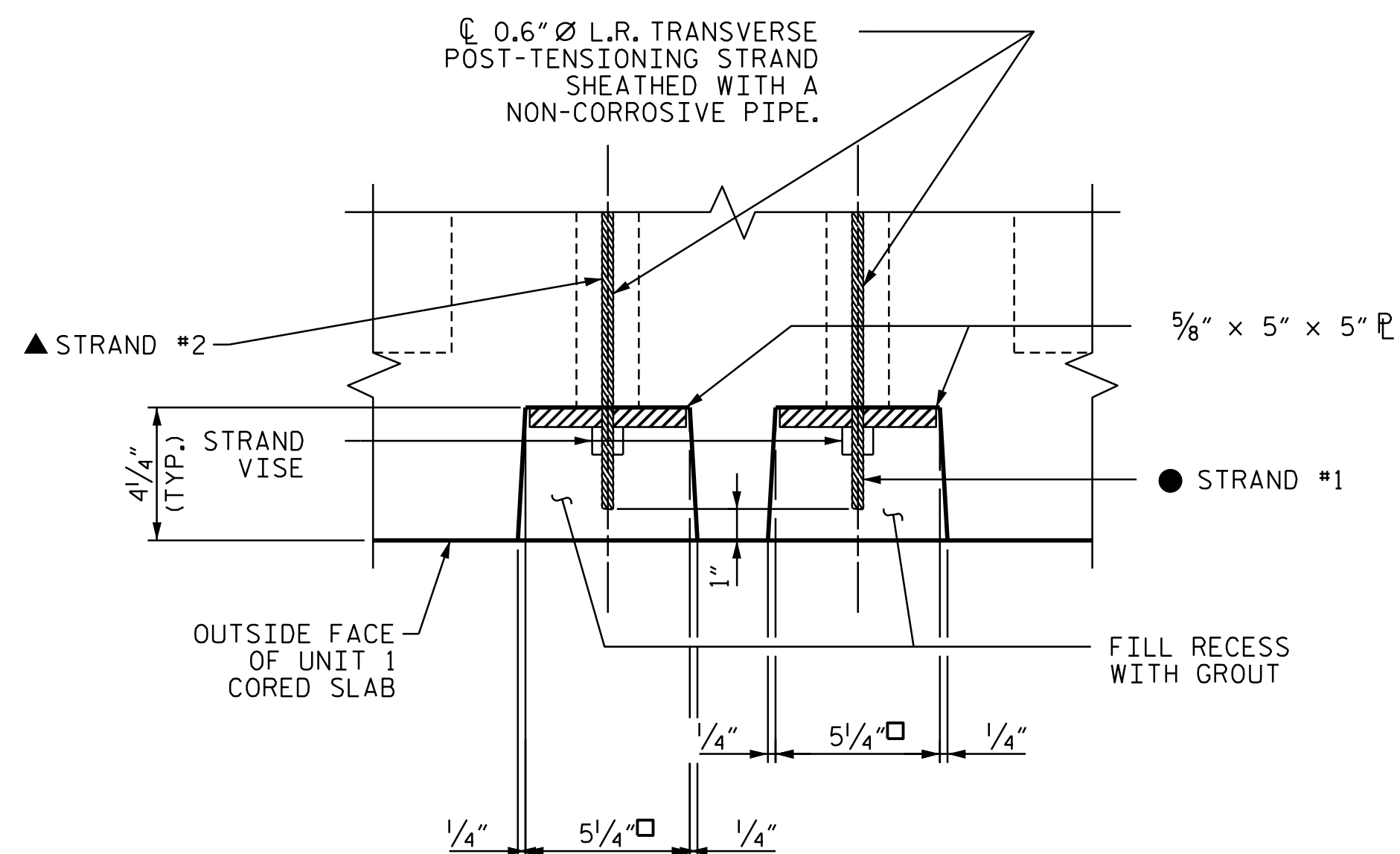
UPSTATION  
VIEW A-A  
SEE SHEET 1 OF 5



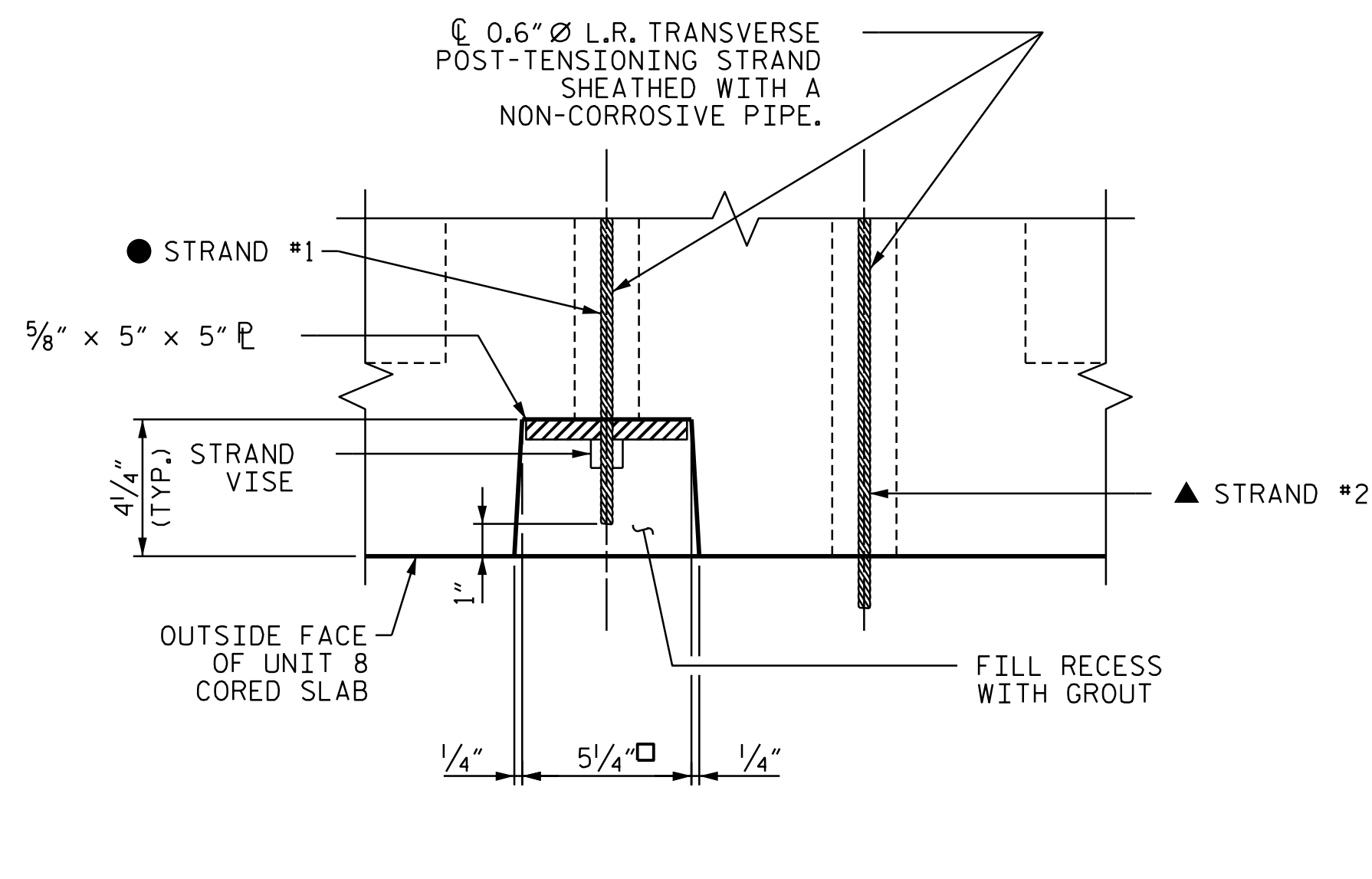
UPSTATION  
VIEW B-B  
SEE SHEET 1 OF 5



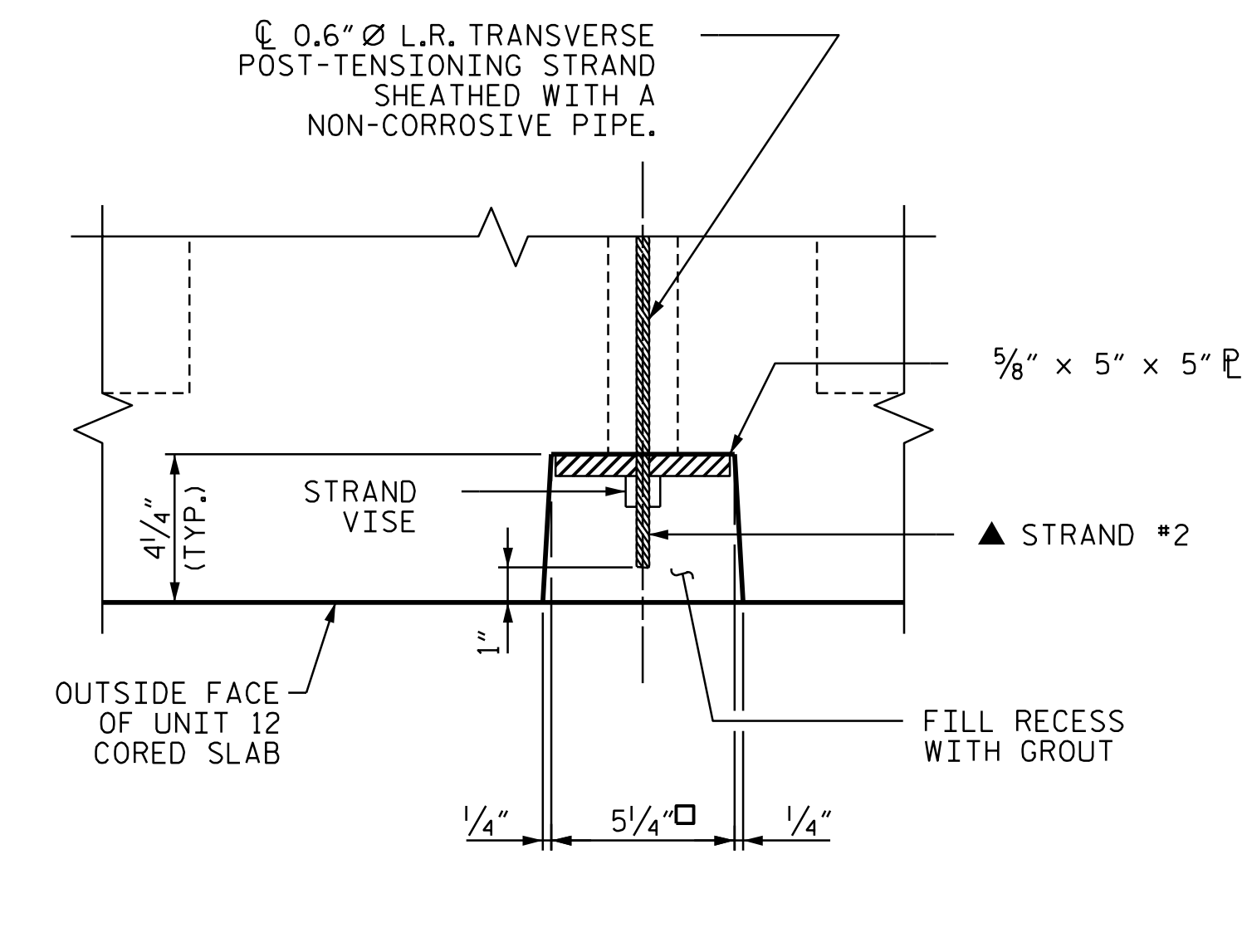
UPSTATION  
VIEW C-C  
SEE SHEET 1 OF 5



UPSTATION  
VIEW X-X



UPSTATION  
VIEW Y-Y



UPSTATION  
VIEW Z-Z

GRouted RECESS AT END OF POST-TENSIONED STRAND CORED SLABS

- STRAND #1 GOES THROUGH 8 CORED SLAB UNITS (TO BE TENSIONED DURING STAGE I CONSTRUCTION)
- ▲ STRAND #2 GOES THROUGH ALL 12 CORED SLAB UNITS (TO BE TENSIONED DURING STAGE II CONSTRUCTION)

PROJECT NO. B-5893  
MITCHELL COUNTY  
 STATION: 12+89.50 -L-

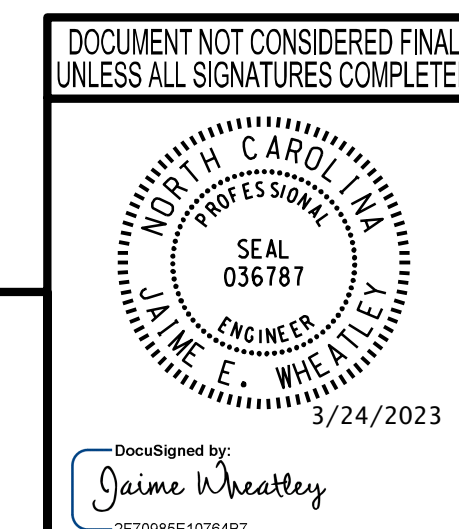
SHEET 2 OF 5

STATE OF NORTH CAROLINA  
 DEPARTMENT OF TRANSPORTATION  
 RALEIGH

3'-0" X 1'-9"  
 PRESTRESSED CONCRETE  
 CORED SLAB UNIT  
 90° SKEW

REVISIONS

NO.	BY:	DATE:	NO.	BY:	DATE:	SHEET NO.
1			3			S-8
2			4			TOTAL SHEETS 24



**wsp**  
 WSP USA Inc.  
 434 FAYETTEVILLE STREET  
 SUITE 1500  
 RALEIGH, NC 27601  
 TEL: 1.919.836.4040  
 LICENSE NO. F-0165

3/24/2023 4:18:50PM -14 B-5893 Bridge 19 over Cub Creek Structures\2.0 Drafting\Drawings\101\_017\_B5893\_SMJ\_CS2.dgn

DESIGNED BY: J. WHEATLEY DATE: MAR 2023  
 DRAWN BY: J. WHEATLEY DATE: MAR 2023  
 CHECKED BY: T. KIRSCHBAUM DATE: MAR 2023  
 DESIGN ENGINEER OF RECORD: J. WHEATLEY DATE: MAR 2023