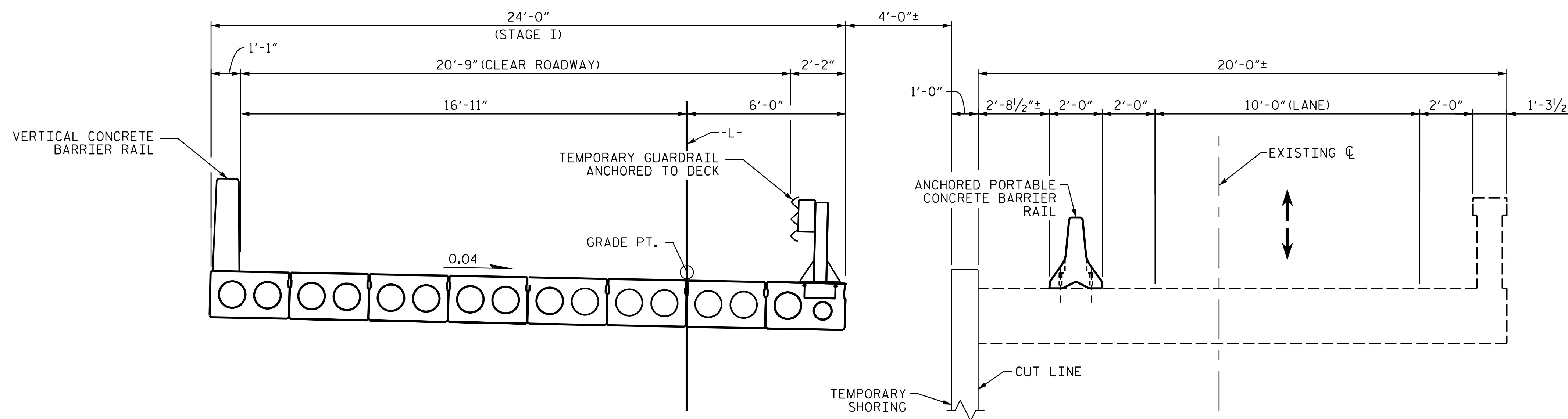
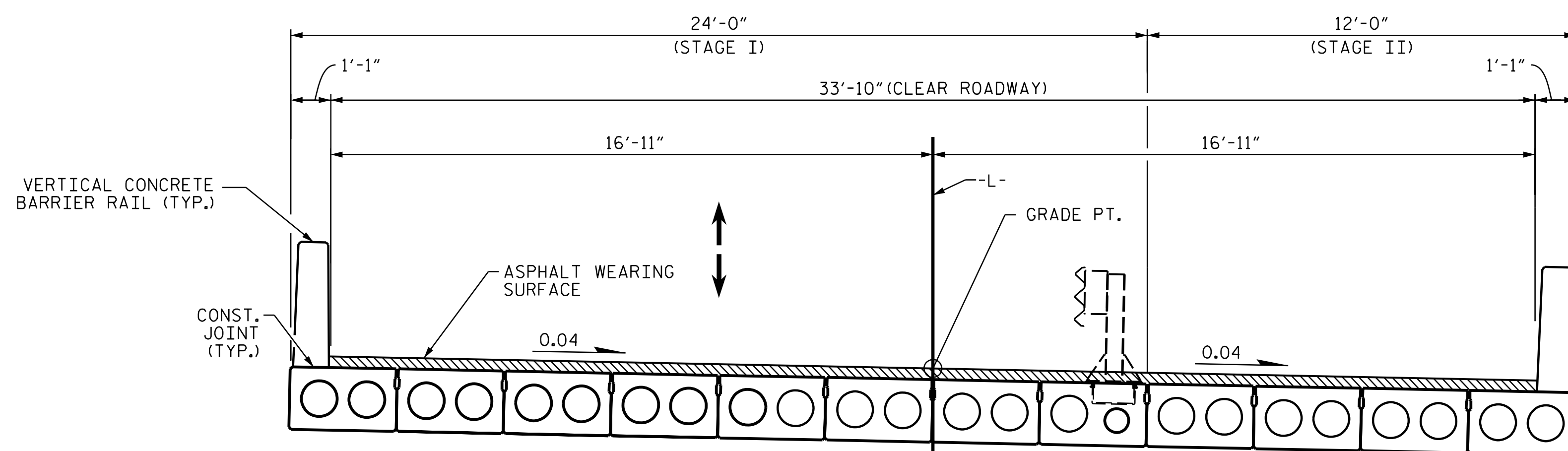


EXISTING STRUCTURE



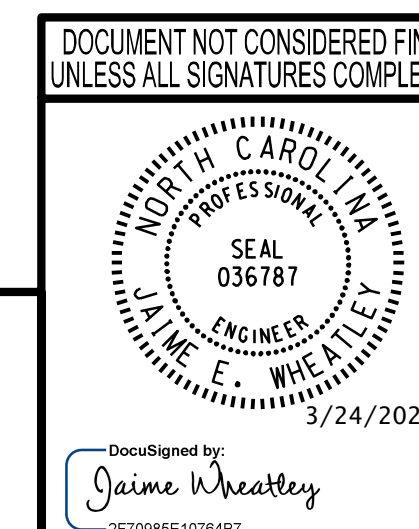
STAGE I



STAGE II

PROJECT NO. B-5893
MITCHELL COUNTY
STATION: 12+89.50 -L-

STATE OF NORTH CAROLINA
DEPARTMENT OF TRANSPORTATION
RALEIGH
CONSTRUCTION STAGING



wsp
WSP USA Inc.
434 FAYETTEVILLE STREET
SUITE 1500
RALEIGH, NC 27601
TEL: 1.919.836.4040
LICENSE NO. F-0165

REVISIONS						SHEET NO.
NO.	BY:	DATE:	NO.	BY:	DATE:	S-6
1			3			TOTAL SHEETS
2			4			24

3/24/2023 J:\188906R-14 B-5893 BRIDGE 19 over Cub Creek Structures\2.0 Drafting\Drawings\401.013.B5893_SMJ_PC01.dgn

DESIGNED BY: J. WHEATLEY DATE: MAR 2023
DRAWN BY: J. WHEATLEY DATE: MAR 2023
CHECKED BY: T. KIRSCHBAUM DATE: MAR 2023
DESIGN ENGINEER OF RECORD: J. WHEATLEY DATE: MAR 2023