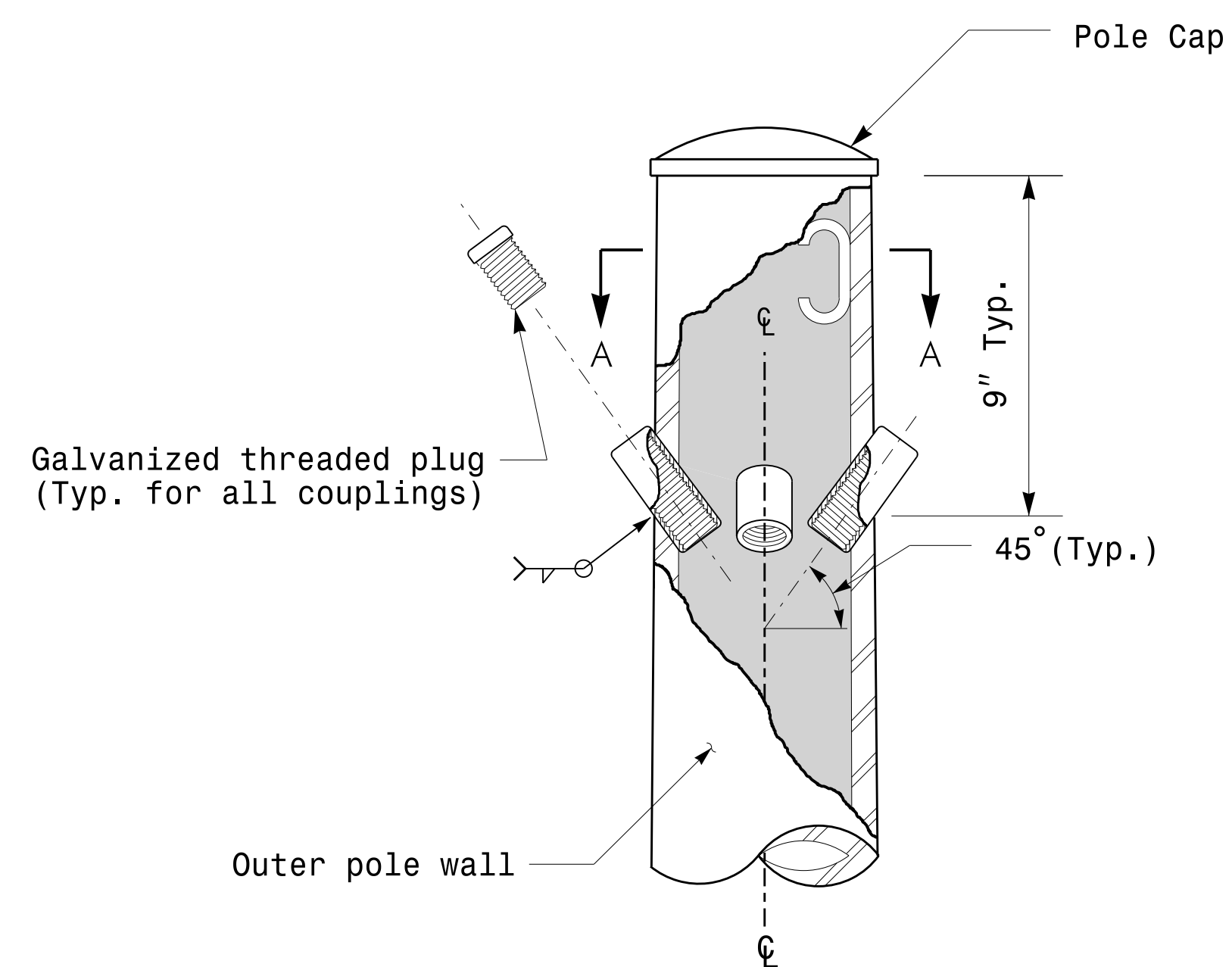
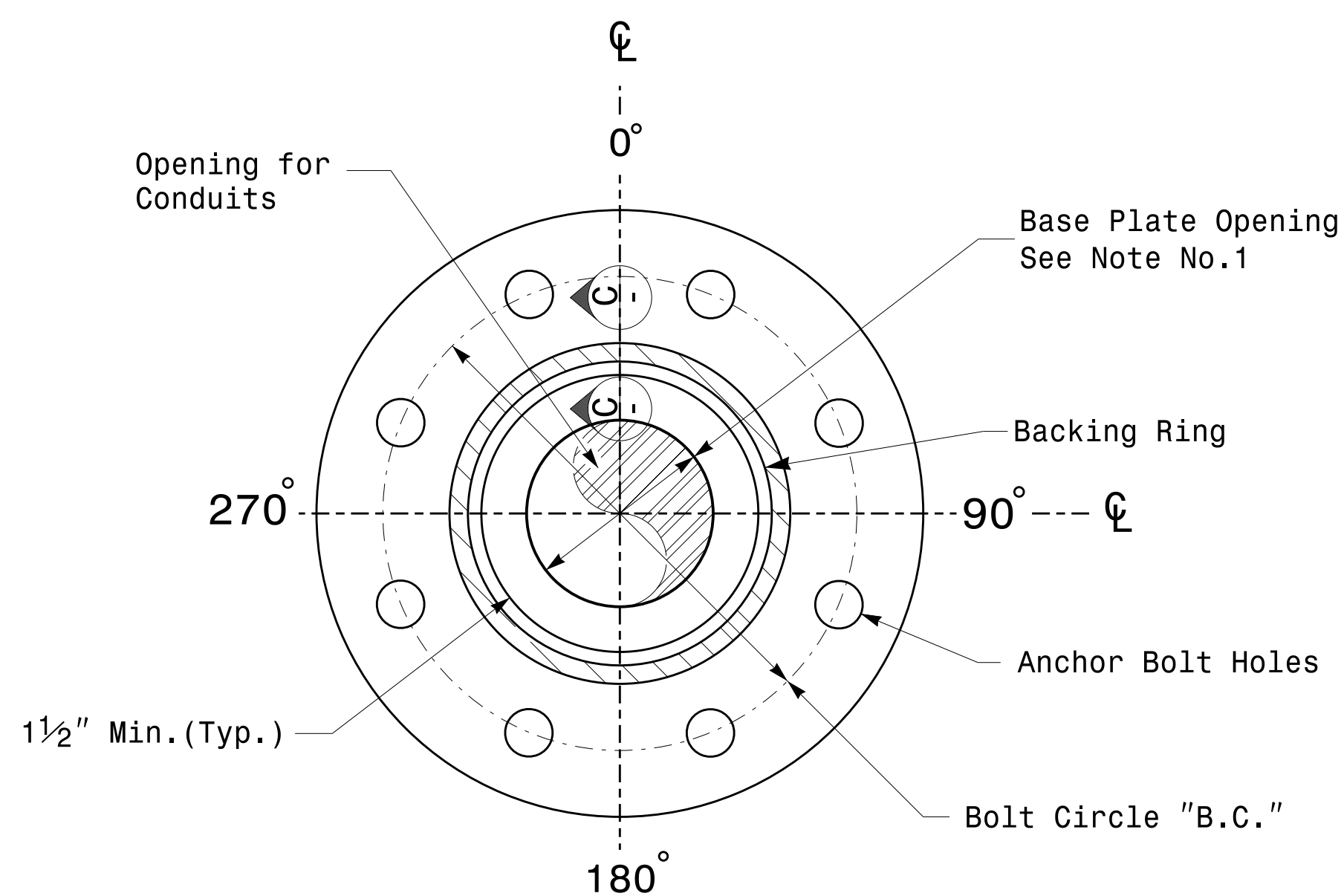


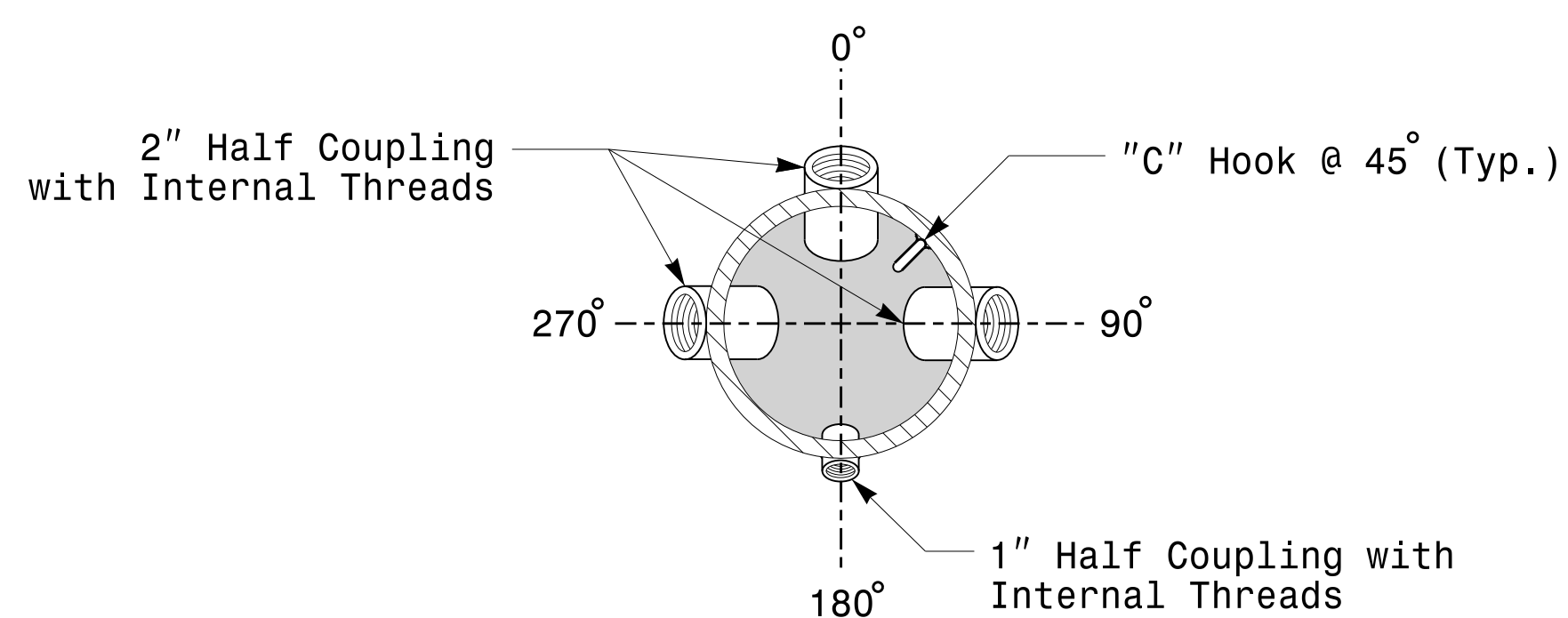
Note:
 1. Opening in pole base plate shall be equal to pole base inside diameter minus 3 1/2" but shall not be less than 8 1/2".



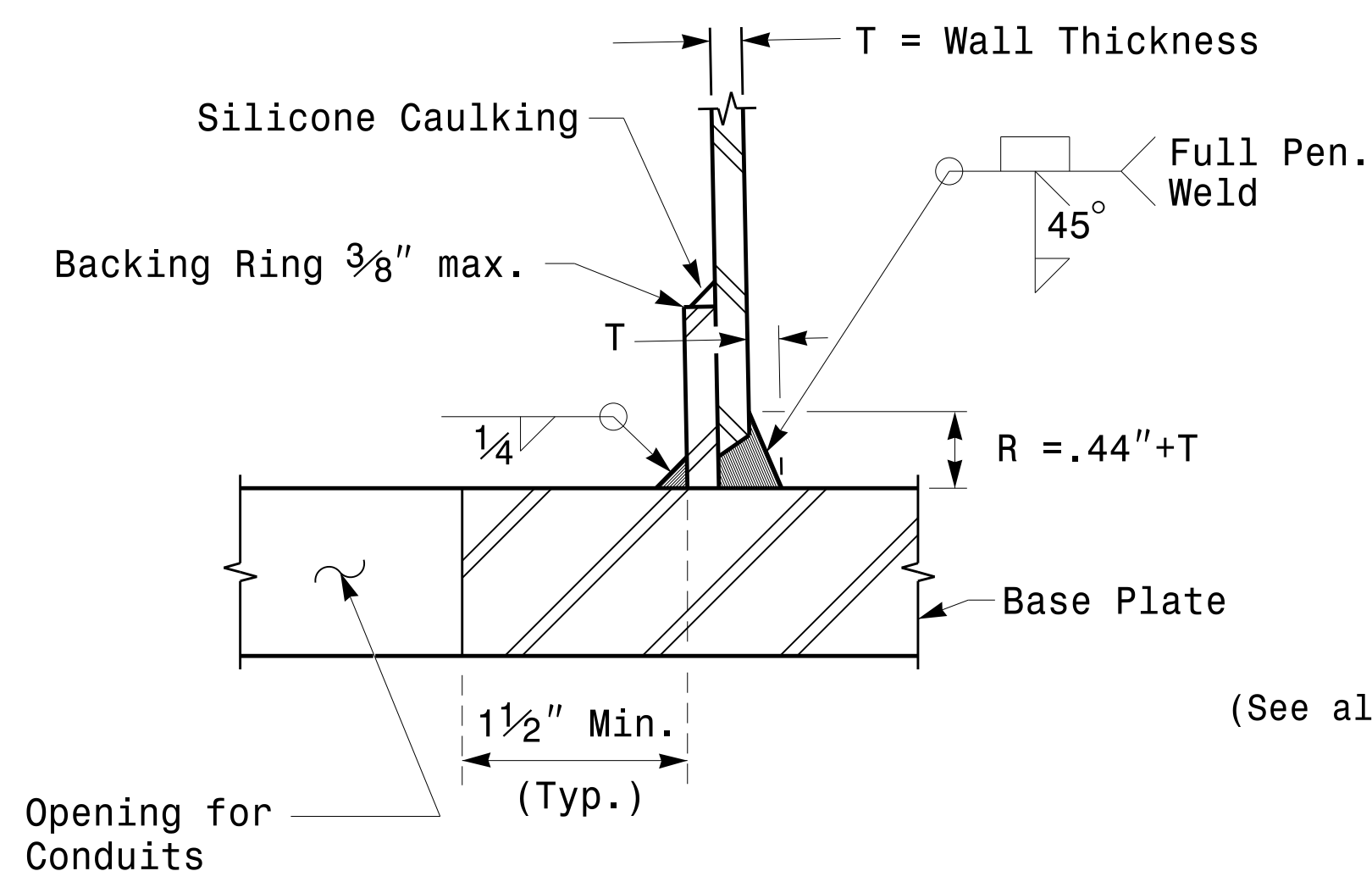
Cable Entrances at Top of Pole



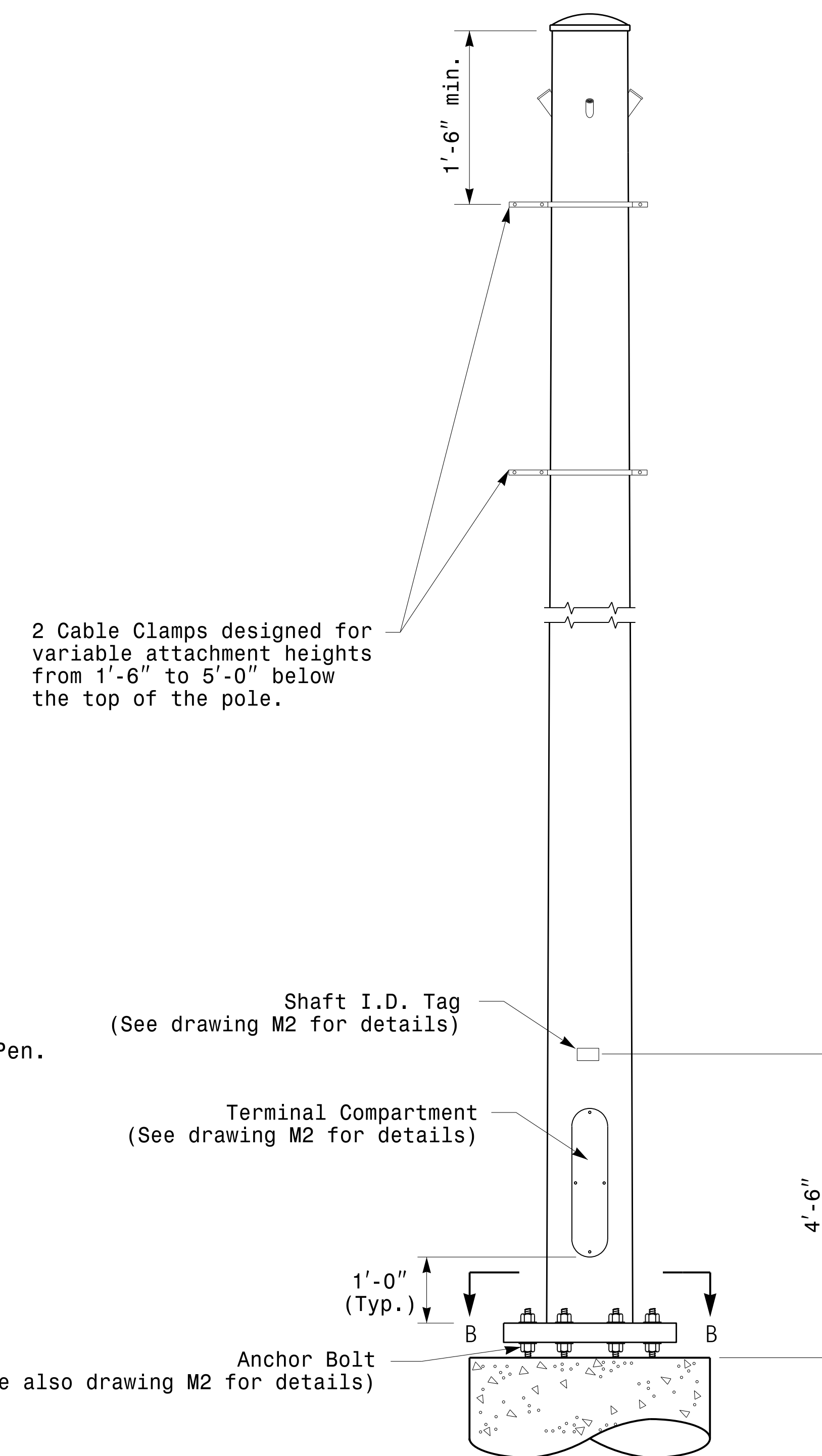
Section B-B
Pole Base Plate Details
(8 and 12 Bolt Pattern)



Section A-A
Radial Orientation for Factory Installed
Accessories at Top of Pole



Section C-C
(Pole Attachment to Base Plate)
Full-Penetration
Groove Weld Detail



Monotube Strain Pole

	Typical Fabrication Details For Strain Poles		SEAL
	PLAN DATE: OCTOBER 2017 DESIGNED BY: K.C. DURIGON	PREPARED BY: N. BITTING REVIEWED BY: D.C. SARKAR	
SCALE: 0 NA NONE	REVISIONS:	INIT. DATE:	DocuSigned by: D.C. Sarkar 44EB87816FA4F49E 10/11/2017 DATE

Fabrication Details – Strain Poles