

MFG _____ MFG. DATE: MM/YY

SHAFT D/T/L/Y _____

ARM-A D/T/L/Y _____

ARM-B D/T/L/Y _____

A.B. DIA./B.C./L/Y _____

NCDOT SIG. INV. NO. _____

NCDOT POLE NO. _____

Shaft I.D. Tag
(Provide on Shaft of Strain Poles and Mast Arm Poles Shaft)

Notes:

- 1) D= Diameter, T= Thickness, L= Length, Y= Yield Strength
- 2) A.B. = Anchor Bolt
- 3) B.C. = Bolt Circle of Anchor Bolts
- 4) If Custom Design, use "NCDOT STANDARD" line for Signal Inv. Number and pole I.D. number
- 5) See drawing M3 and M4 for mounting positions of I.D. tags.

Identification Tag Details

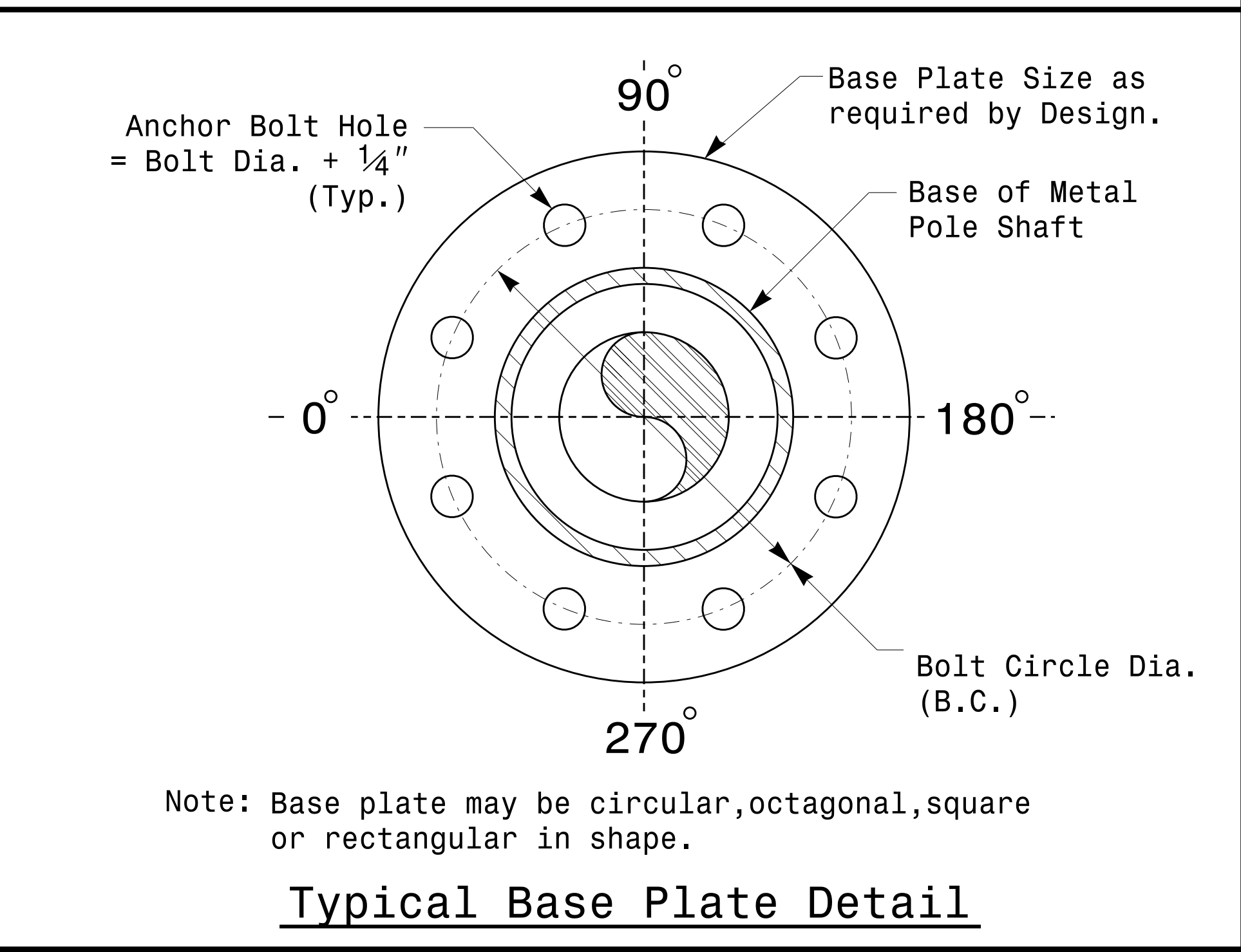
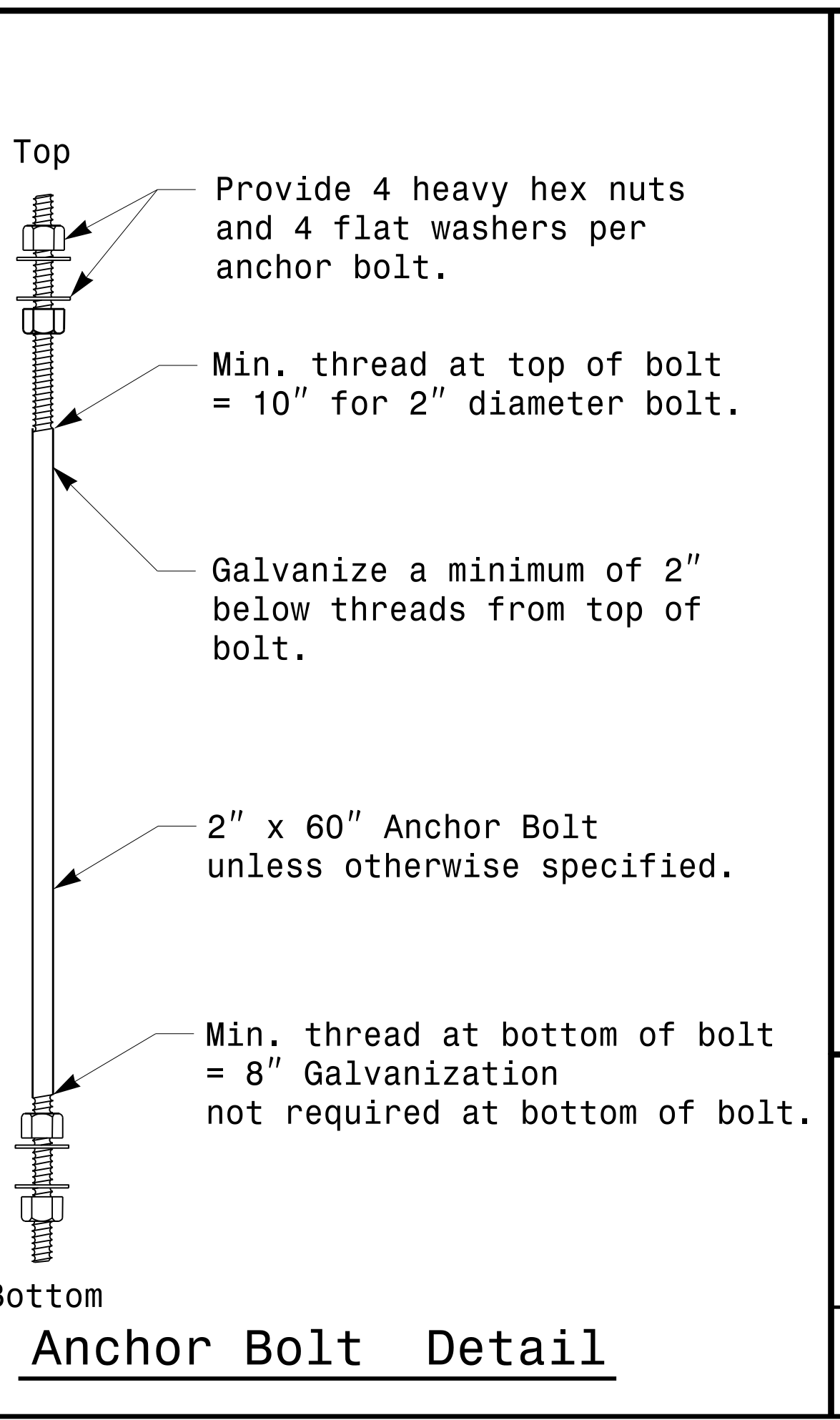
MFG _____ MFG. DATE:MM/YY

SECTION D/T/L/Y _____

NCDOT SIG. INV. NO. _____

NCDOT POLE NO. _____

Arm I.D. Tag
(Provide on each section of a multi-section mast arm.)



	Typical Fabrication Details For All Metal Poles	
	PLAN DATE: OCTOBER 2017 DESIGNED BY: C.F. ANDREWS	PREPARED BY: N. BITTING REVIEWED BY: D.C. SARKAR
	REVISIONS: _____ INITI: _____ DATE: _____	SEAL NORTH CAROLINA PROFESSIONAL ENGINEER SEAL 028094 DEBESH C. SARKAR

Scale: 0 NONE NA

DocuSigned by: Debesh C. Sarkar 10/11/2017 DATE

11-001-2017-08:30 136604115 Signal&Sign Design Section Eastern Region\46162014_Sig_M2_Sha_Fabrication_Details-4-11_Poles.dgn