


ROADWAY DESIGN  
ENGINEER  
5/3/2023



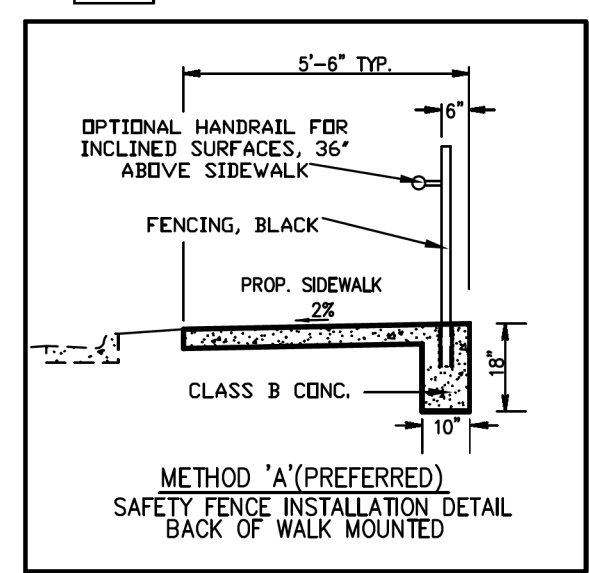
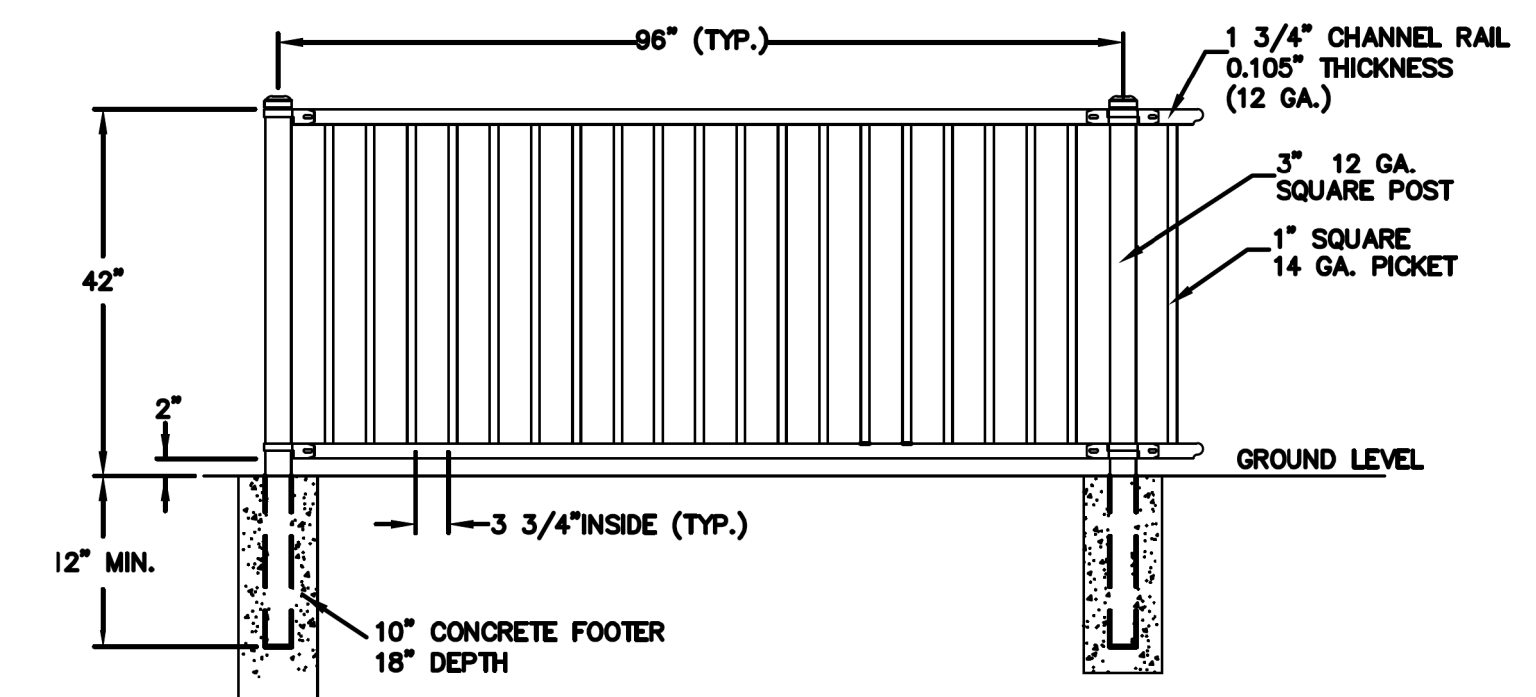
Michael S. Burns, Jr.  
Professional Engineer  
North Carolina  
Seal No. 045230

**STEWART**

Firm License No. C-12213  
223 S. West St.  
Raleigh, NC 27603  
T: 919.386.8790  
www.stewartinc.com

**DOCUMENT NOT CONSIDERED FINAL  
UNLESS ALL SIGNATURES COMPLETED**

REVISIONS



- SAFETY FENCE NOTES:**
2. BOTTOM OF POSTS TO BE EMBEDDED IN CONCRETE SHOULD FIRST BE PROTECTED WITH TWO-PART EPOXY DIPPING OR ZINC CHROMATE COATING TO PREVENT CORROSION.
  3. ONLY NON-METALLIC, NON-SHRINK GROUT IS TO BE USED FOR SECURING POSTS IN CONCRETE.
  4. THE HANDRAIL FOR INCLINED SURFACES IS REQUIRED WHEN THE RUNNING SLOPE IS 5% OR GREATER AND SHALL MEET ALL THE APPLICABLE REQUIREMENTS AND PROVISIONS OF SECTION R408 OF THE ADA ACCESSIBILITY GUIDELINES FOR PUBLIC RIGHTS-OF-WAY.
  5. THERE ARE TO BE NO EXPOSED WELDS AND ERECTED FENCE IS TO HAVE THE SAME APPEARANCE ON BOTH SIDES.
  6. VERTICAL PICKETS SHALL NOT EXTEND BEYOND THE TOP OR BOTTOM RAILS.

**1** 4" CONCRETE SIDEWALK WITH SAFETY RAIL & FOUNDATION

NOT TO SCALE

STEWART (03/27/2023)

5/14/99

5/3/2023 R5725\_RdJ\_esh2B-7.dgn

USF:shk