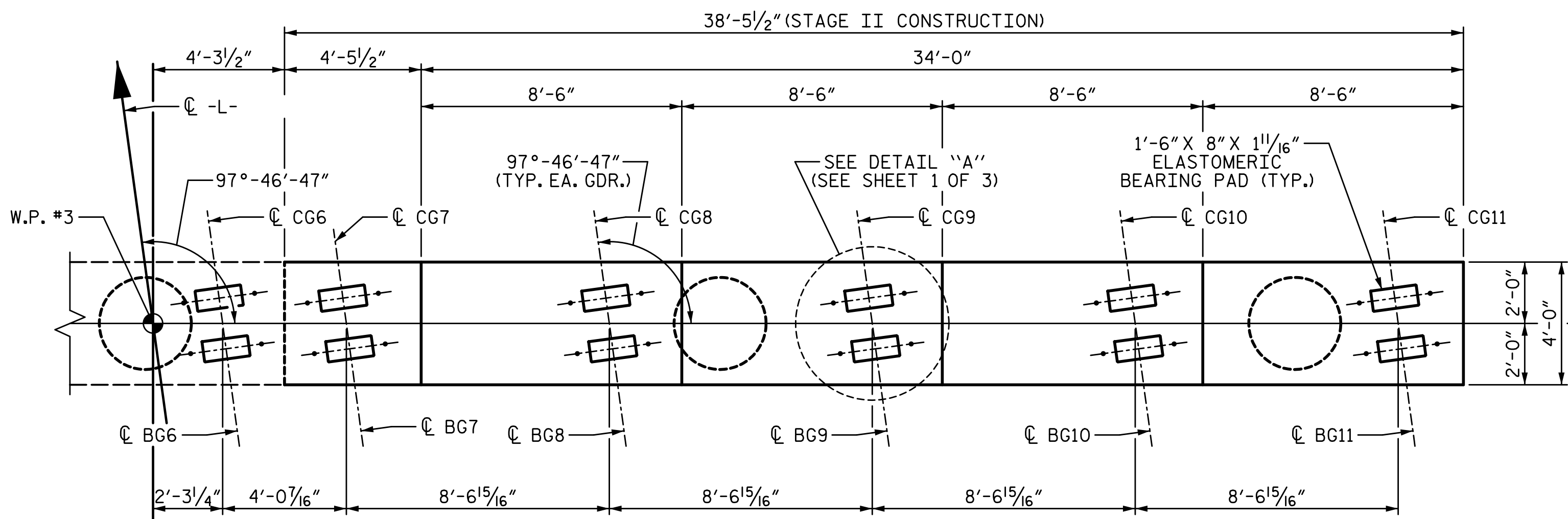
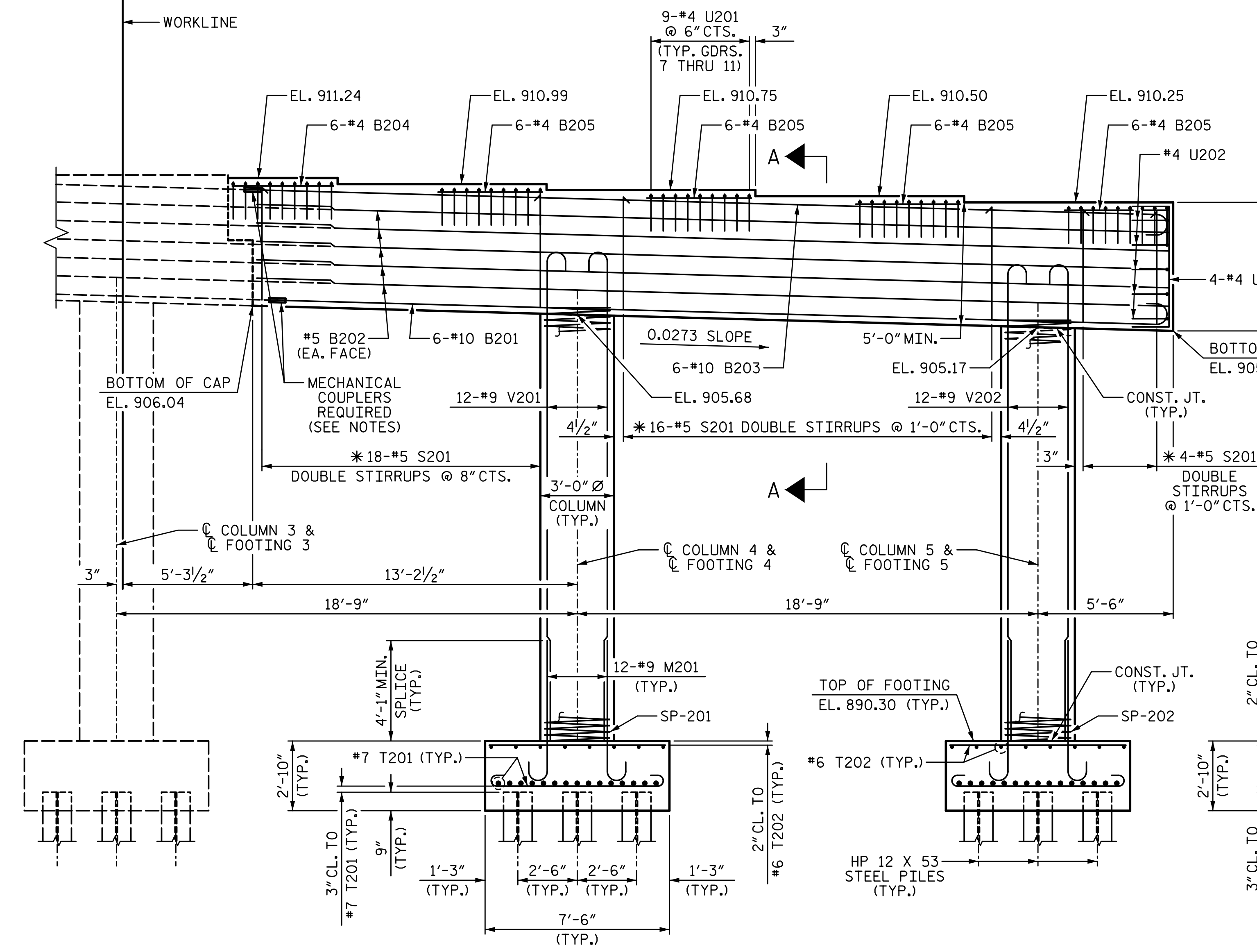


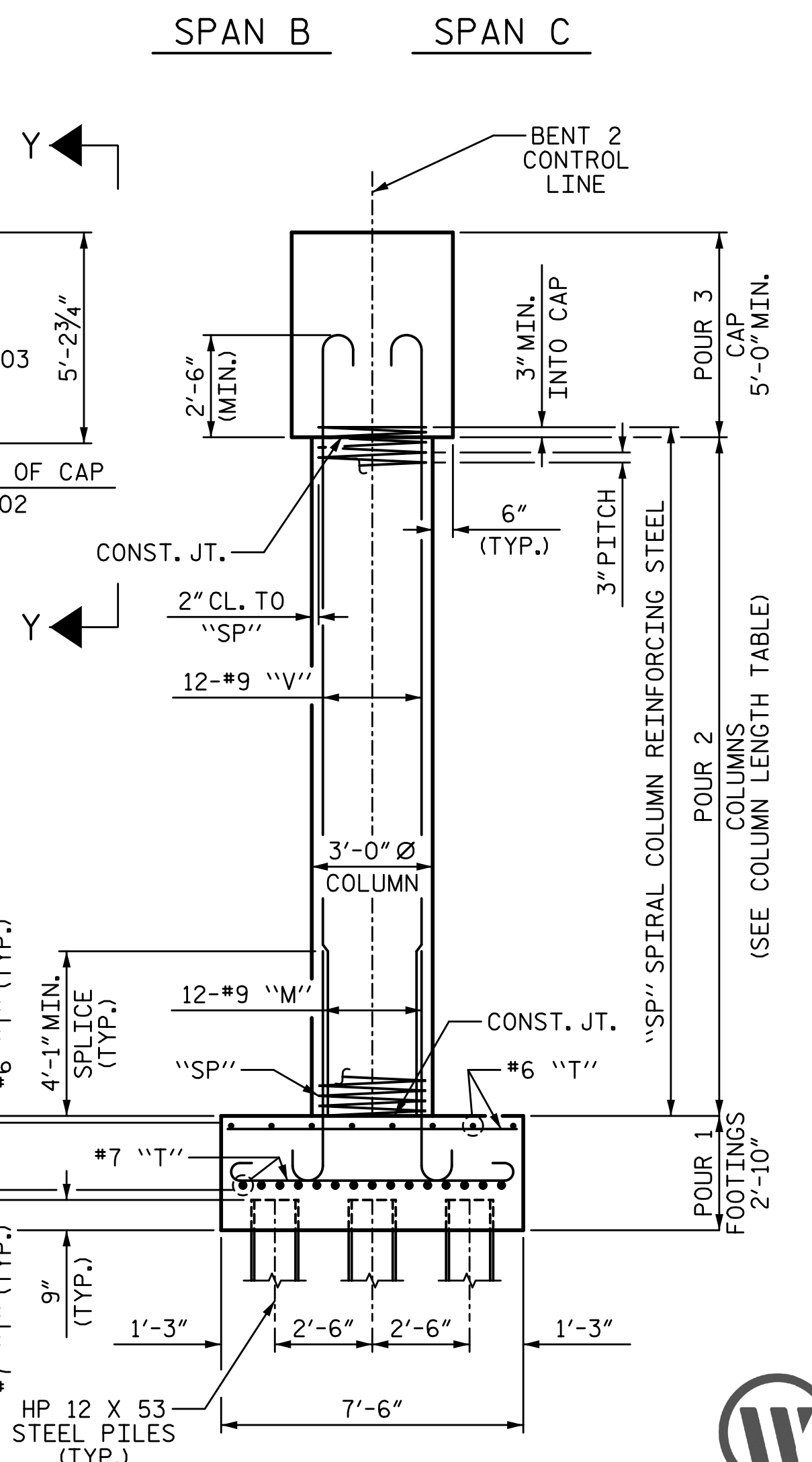
4/6/2023 12:02:10 PM P:\Raleigh\Projects\2018\Division 9 (Mott MacDonald)\U-2729\Structures\Drawings\Final\U2729\_SMU\_B2\_330290.dgn



PLAN

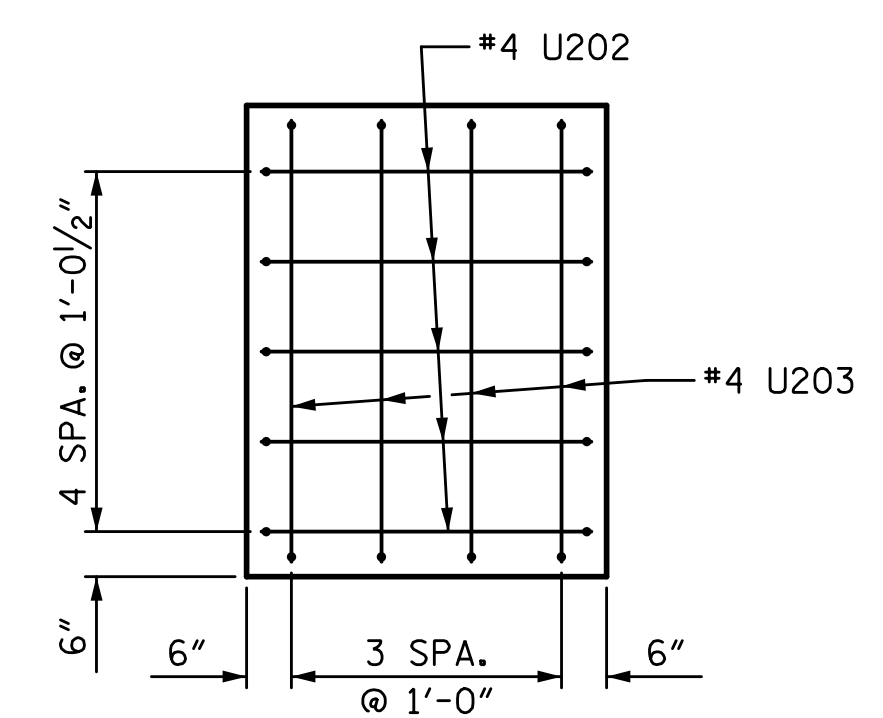


ELEVATION



END ELEVATION

(DETAILS, DIMENSION & REINFORCING STEEL ARE TYPICAL FOR EACH COLUMN AND FOOTING)



VIEW Y-Y

COLUMN LENGTH TABLE	
COLUMN	LENGTH
1	16'-10 <sup>13</sup> / <sub>16</sub> "
2	16'-4 <sup>13</sup> / <sub>16</sub> "
3	15'-10 <sup>11</sup> / <sub>16</sub> "
4	15'-4 <sup>9</sup> / <sub>16</sub> "
5	14'-10 <sup>7</sup> / <sub>16</sub> "

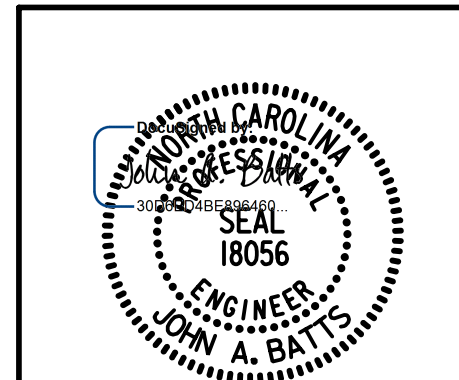
PROJECT NO. U-2729  
FORSYTH COUNTY  
 STATION: 33+99.11 -L-

SHEET 2 OF 3

STATE OF NORTH CAROLINA  
 DEPARTMENT OF TRANSPORTATION  
 RALEIGH  
 SUBSTRUCTURE

**BENT 2**

STAGE II



DRAWN BY: T. BANKOVICH DATE: 9-22  
 CHECKED BY: T.J. BEACH DATE: 9-22  
 DESIGN ENGINEER OF RECORD: J.A. BATTS DATE: 9-22

REVISIONS				SHEET NO.
NO.	BY:	DATE:	NO.	DATE:
1			3	
2			4	

TOTAL SHEETS: 59

**DOCUMENT NOT CONSIDERED FINAL  
 UNLESS ALL SIGNATURES COMPLETED**