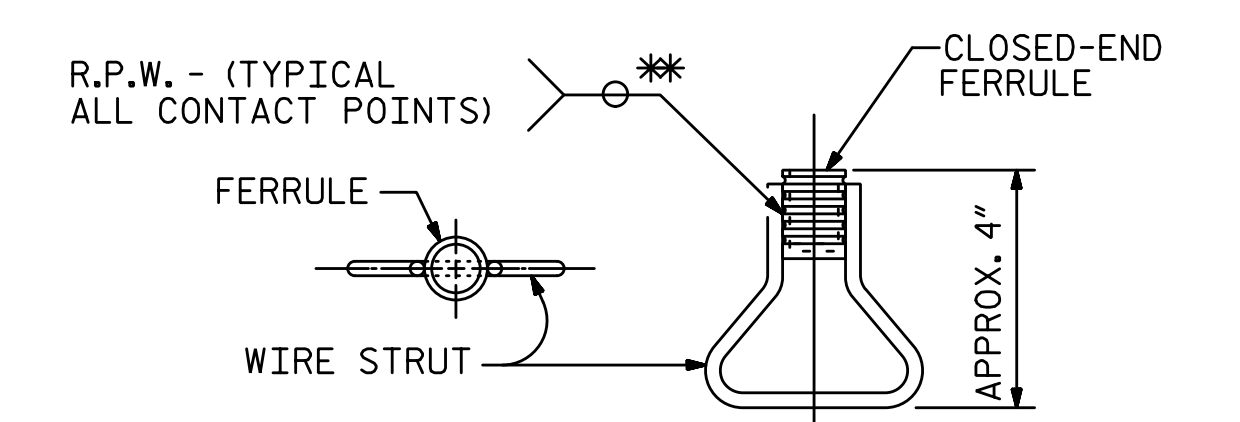
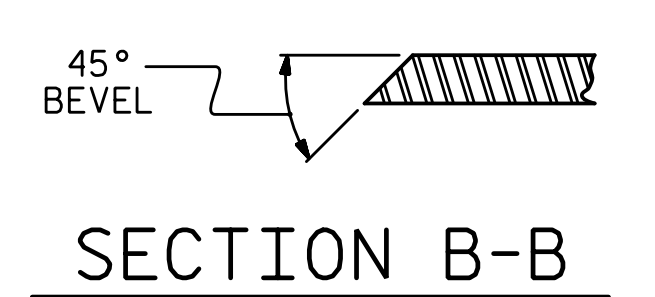
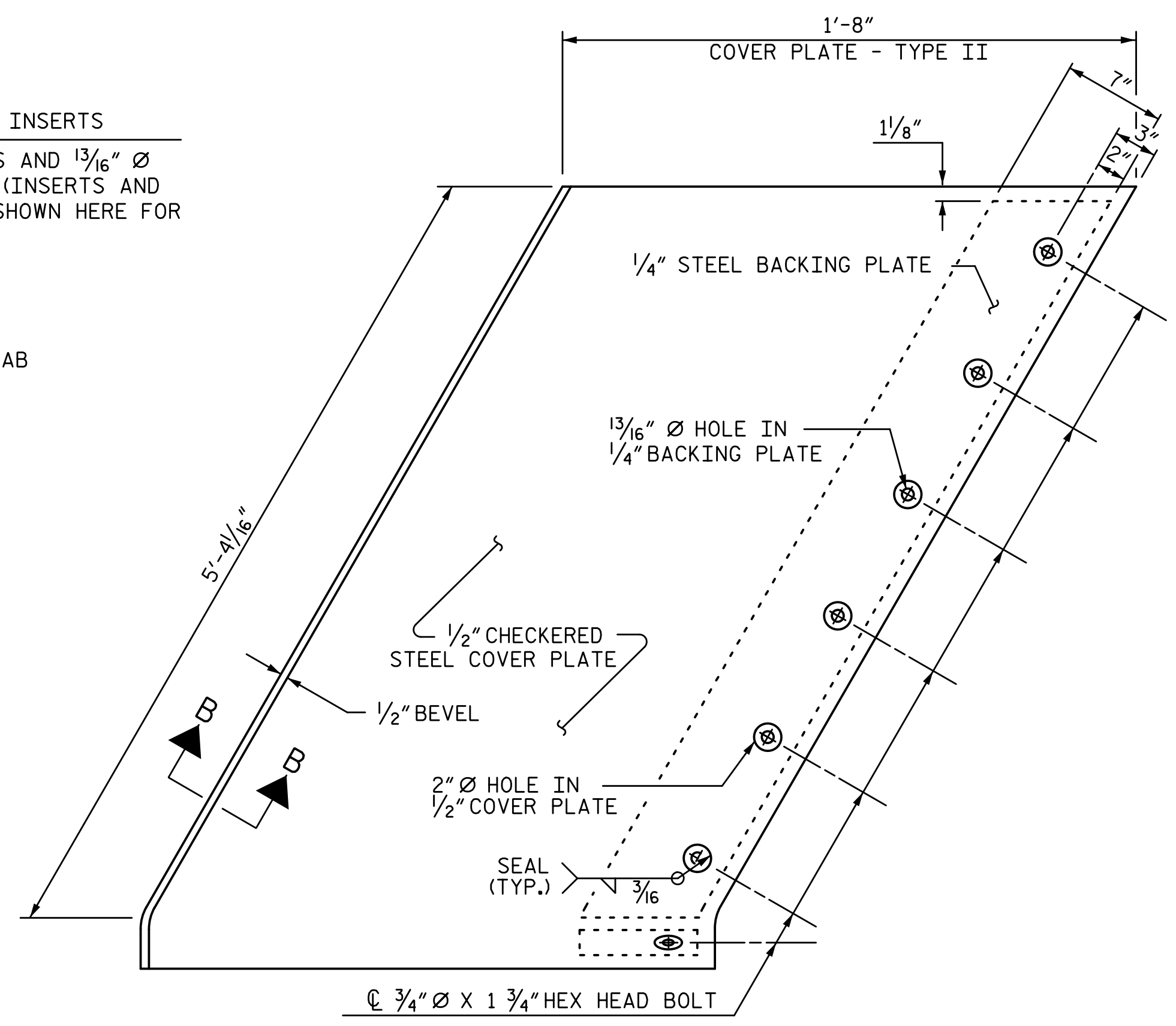
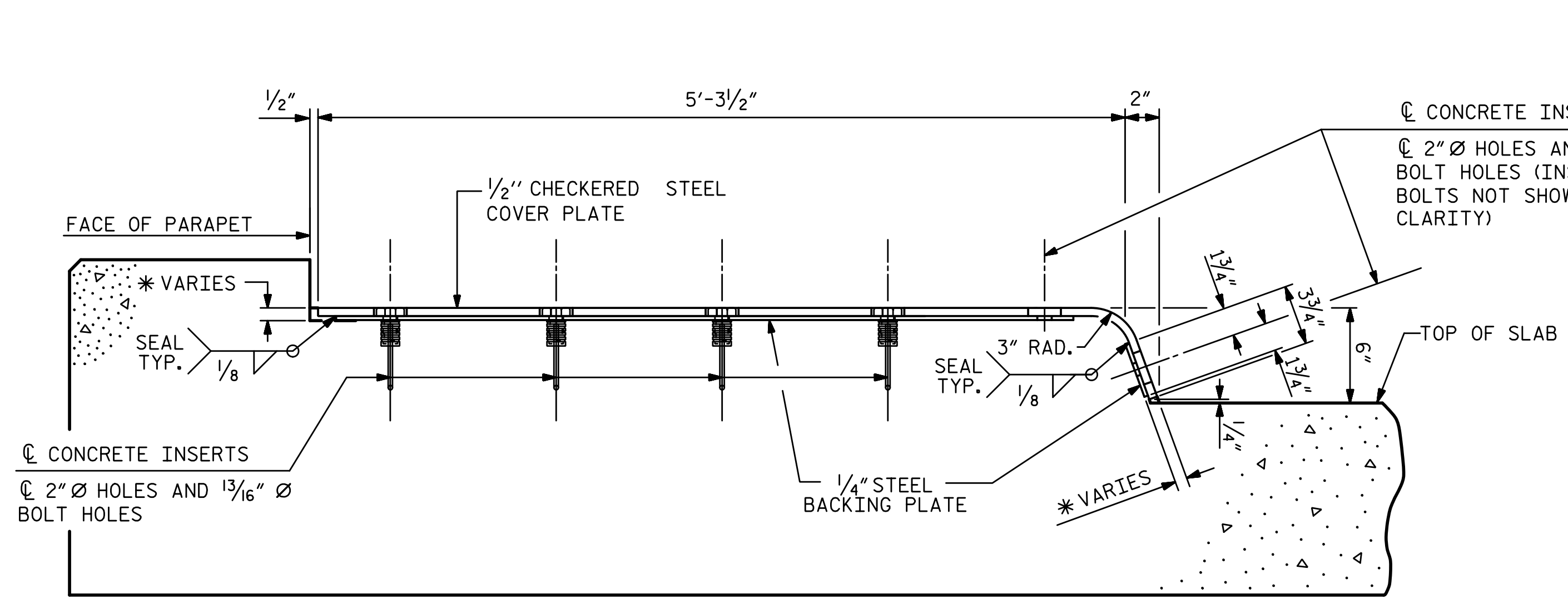
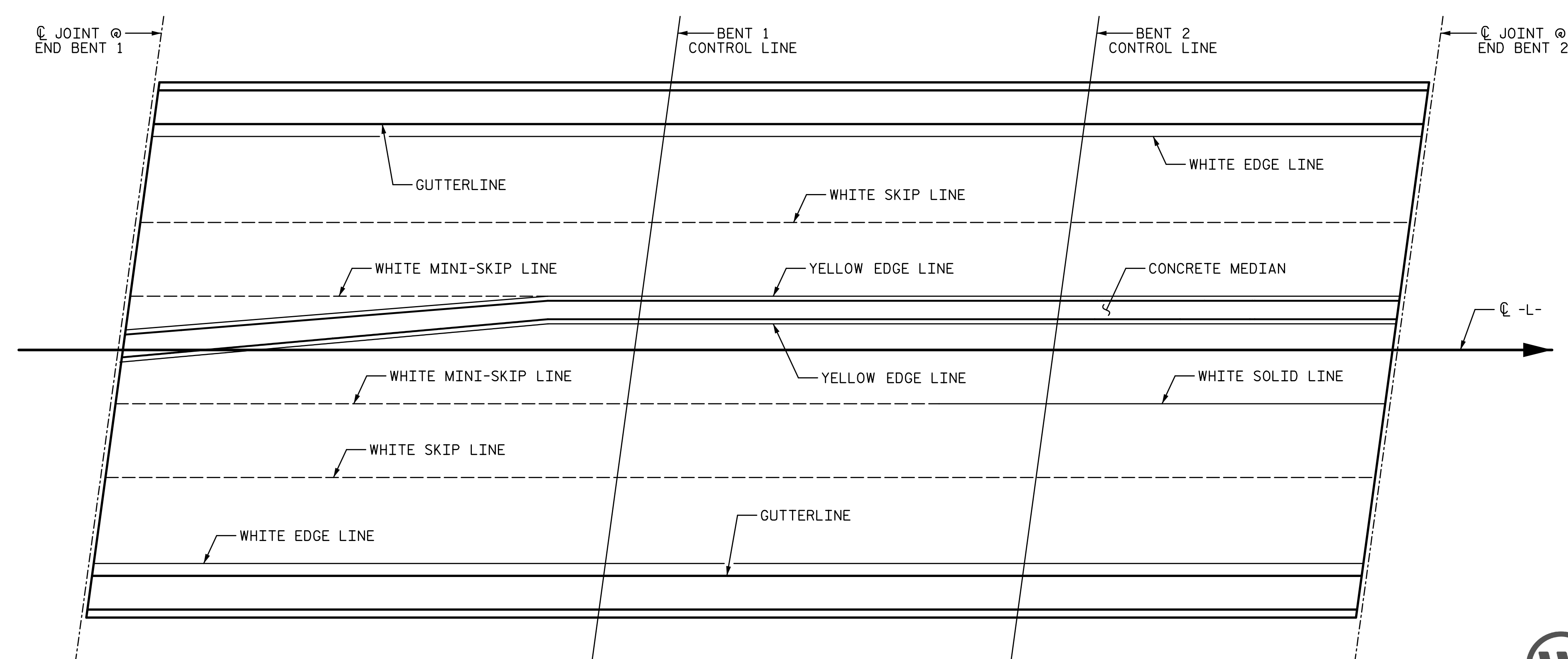


4/6/2023 12:02:04 PM P:\Raleigh\Projects\2018\Division 9 (Mott MacDonald)\U-2729\Structures\Drawings\Final\U2729_SMU_JT_330290.dgn



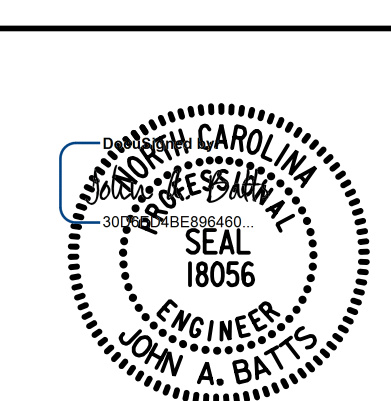
** EACH WELDED ATTACHMENT OF WIRE TO FERRULE SHALL DEVELOP THE TENSILE STRENGTH OF THE WIRE.



PROJECT NO. U-2729
FORSYTH COUNTY
 STATION: 33+99.11 -L-

SHEET 3 OF 3

STATE OF NORTH CAROLINA
 DEPARTMENT OF TRANSPORTATION
 RALEIGH
 SUPERSTRUCTURE
**STRIP SEAL EXPANSION
 JOINT DETAILS
 FOR SIDEWALK**



DRAWN BY: T. BANKOVICH	DATE: 9-22
CHECKED BY: T.J. BEACH	DATE: 9-22
DESIGN ENGINEER OF RECORD: J.A. BATT'S	DATE: 9-22

REVISIONS						SHEET NO.
NO.	BY:	DATE:	NO.	BY:	DATE:	S-38
1			3			TOTAL SHEETS
2			4			59

DOCUMENT NOT CONSIDERED FINAL
 UNLESS ALL SIGNATURES COMPLETED