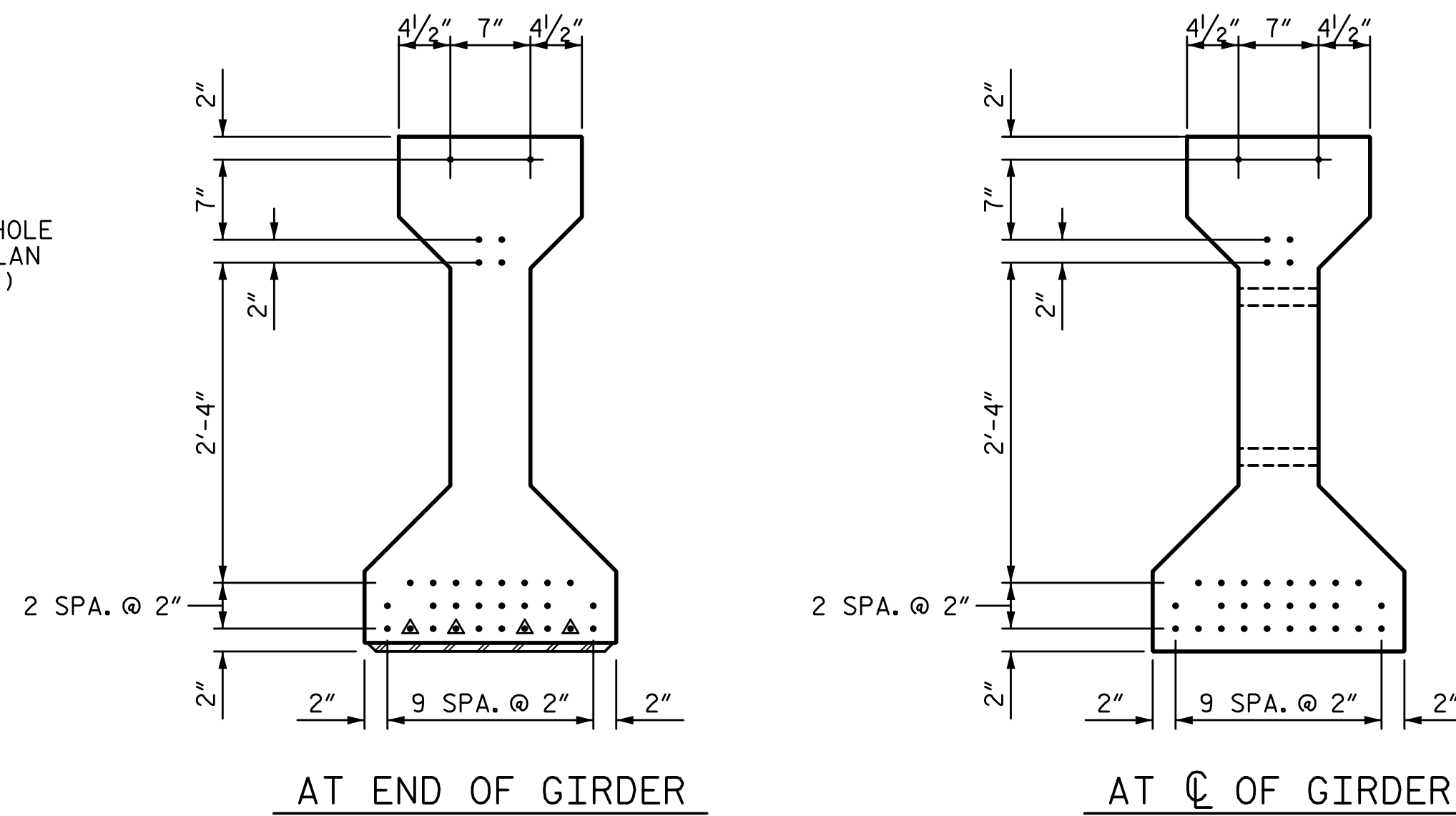
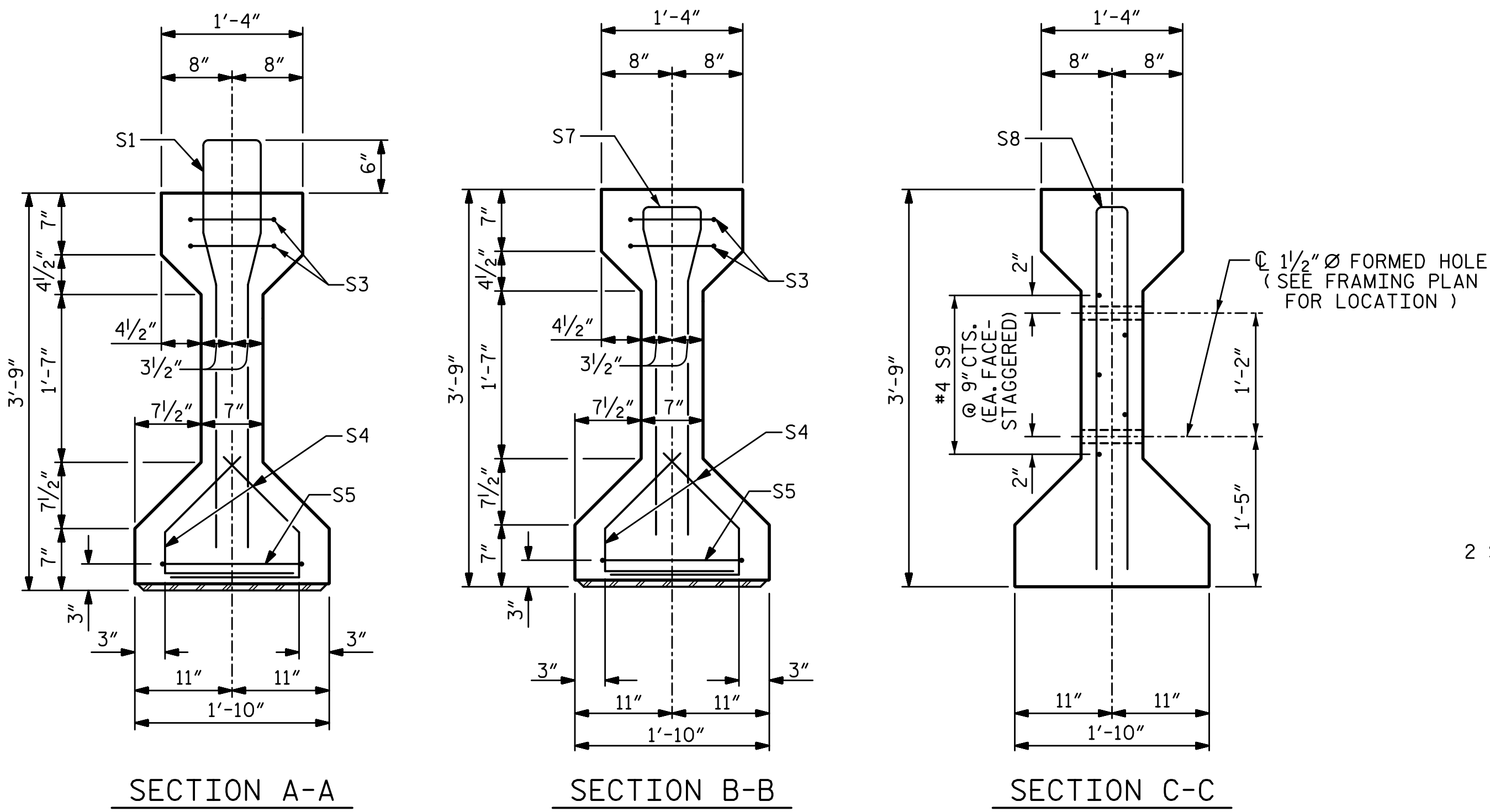
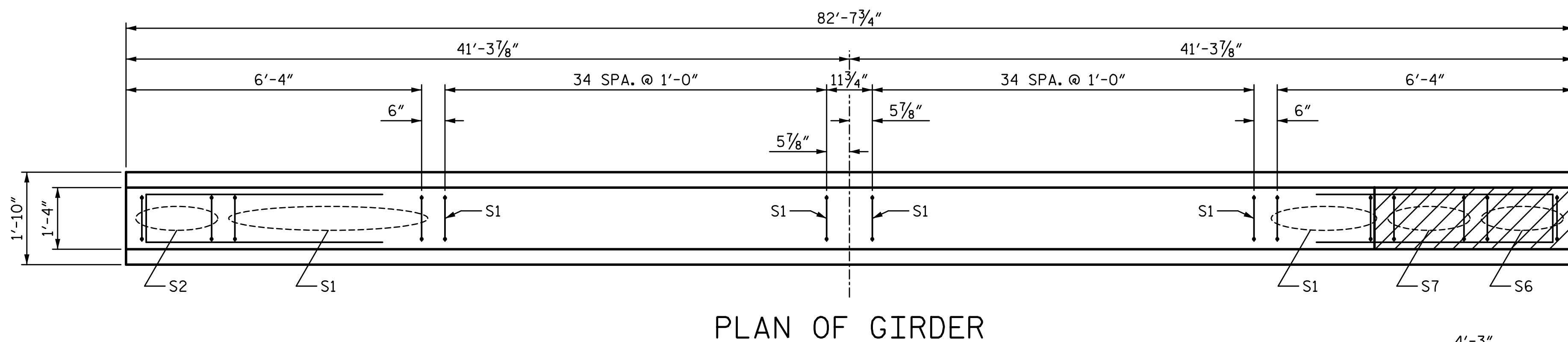


4/6/2023 12:01:54 PM P:\Raleigh\Projects\2018\Division 9 (Mott MacDonald)\U-2729\Structures\Drawings\Final\U2729_SMU_G_330290.dgn

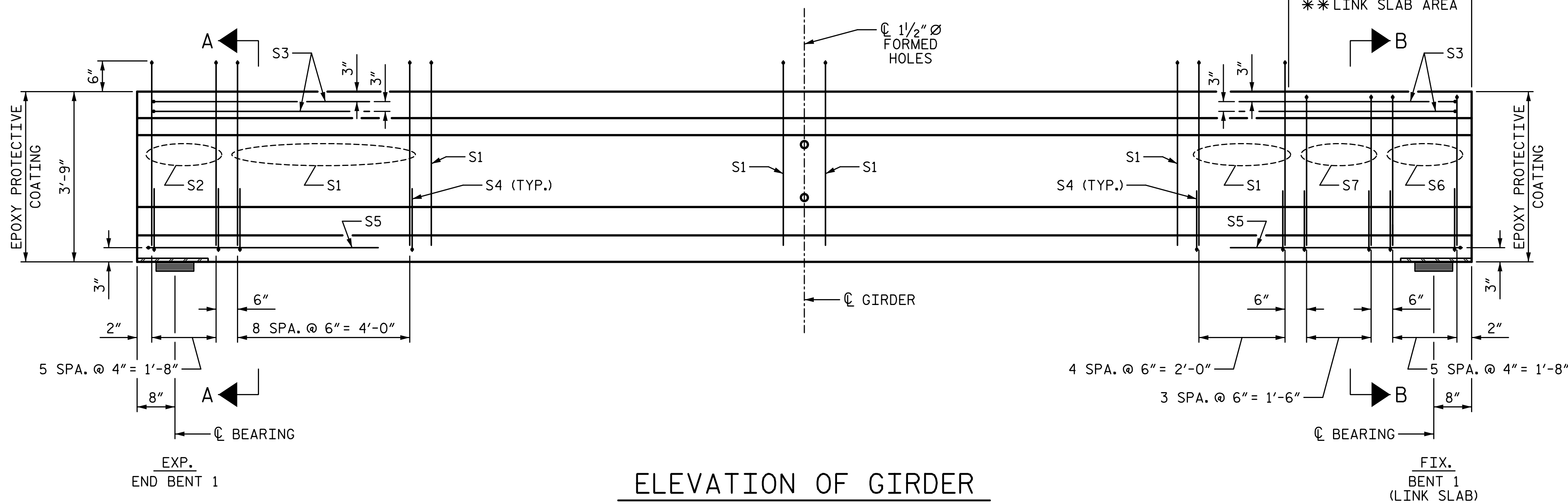


0.6" Ø LOW RELAXATION STRAND LAYOUT

- FULLY BONDED STRAND
- ▲ STRAND DEBONDED FOR 12'-0" FROM END OF GIRDER



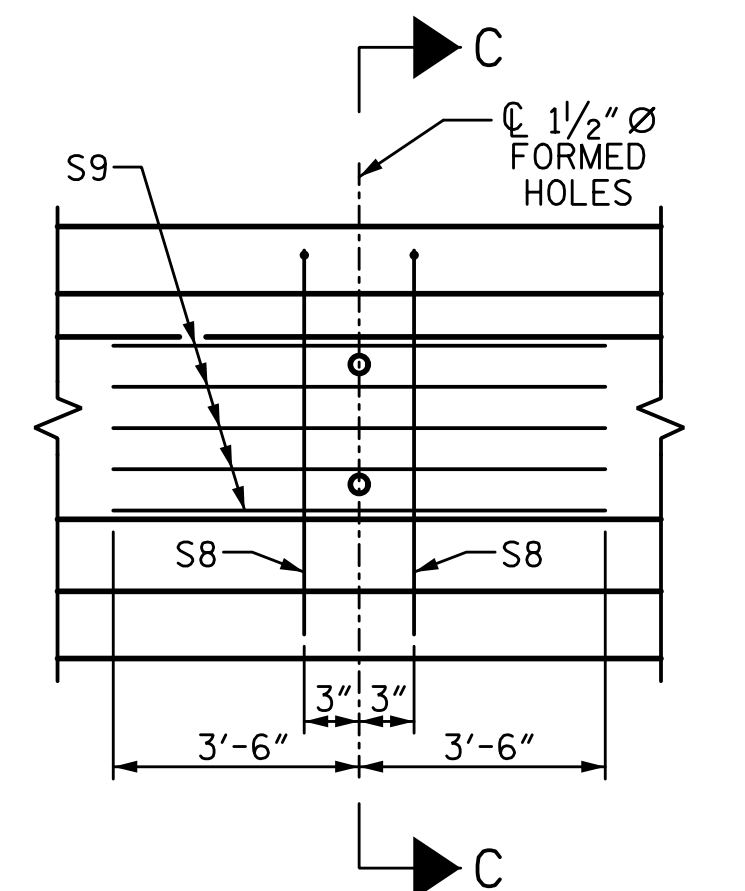
PLAN OF GIRDER



ELEVATION OF GIRDER

(SEE PARTIAL ELEVATION FOR ADDITIONAL "S" BARS)

**DO NOT RAKE TOP OF GIRDER IN THIS AREA



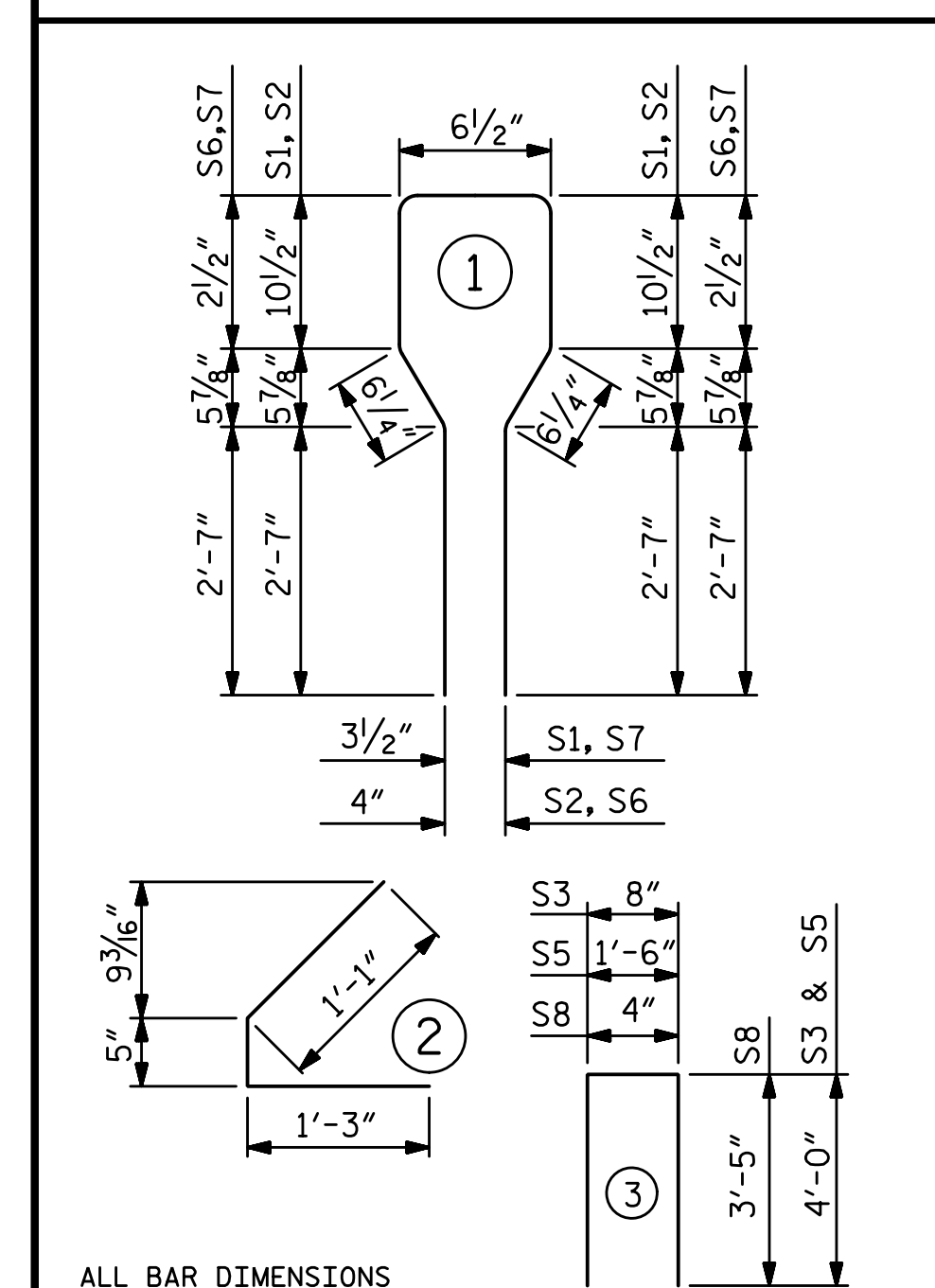
0.6" Ø L. R. GRADE 270 STRANDS

AREA (SQ. INCHES)	ULTIMATE STRENGTH (LBS. PER STRAND)	APPLIED PRESTRESS (LBS. PER STRAND)
0.217	58,600	43,950

REINFORCING STEEL FOR ONE GIRDER

BAR	NUMBER	SIZE	TYPE	LENGTH	WEIGHT
S1	84	#5	1	8'-6"	745
S2	6	#6	1	8'-6"	77
S3	4	#4	3	8'-8"	23
S4	60	#4	2	2'-9"	110
S5	2	#4	3	9'-6"	13
S6	6	#6	1	7'-2"	65
S7	4	#5	1	7'-2"	30
S8	2	#5	3	7'-2"	15
S9	5	#4	STR	7'-0"	23

BAR TYPES



ALL BAR DIMENSIONS ARE OUT-TO-OUT

QUANTITIES FOR ONE GIRDER

	REINFORCING STEEL LB.	8400 PSI CONCRETE C.Y.	0.6" Ø L. R. STRANDS No.
GIRDERS	1101	11.9	32

GIRDERS REQUIRED

NUMBER	LENGTH	TOTAL LENGTH
11	82'-7 3/4"	909'-1 1/4"

PROJECT NO. U-2729
 FORSYTH COUNTY
 STATION: 33+99.11 -L-

SHEET 1 OF 4

STATE OF NORTH CAROLINA
 DEPARTMENT OF TRANSPORTATION
 RALEIGH
 SUPERSTRUCTURE
 AASHTO TYPE III
 PRESTRESSED CONCRETE
 GIRDERS
 SPAN A

REVISIONS

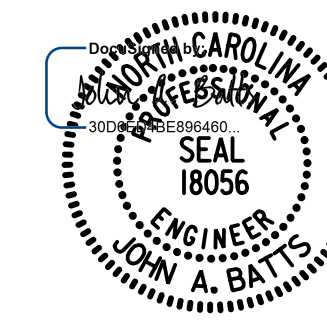
NO.	BY:	DATE:	NO.	BY:	DATE:
1			3		
2			4		

SHEET NO. S-20
 TOTAL SHEETS 59



5640 Dillard Drive, Suite 200
 Cary, NC 27518

LICENSURE NO. C-4434



4/6/2023 | 10:39 AM

DOCUMENT NOT CONSIDERED FINAL UNLESS ALL SIGNATURES COMPLETED

DRAWN BY: T. BANKOVICH DATE: 9-22
 CHECKED BY: T.J. BEACH DATE: 9-22
 DESIGN ENGINEER OF RECORD: J.A. BATTS DATE: 9-22