

Note: Unless otherwise specified, locate Terminal Compartment 1 foot above the pole base plate at 180 degrees on the pole's radial index.

**Terminal Compartment Detail**

MFG	_____	MFG. DATE: MM/YY	_____
SHAFT	D/T/L/Y	_____	_____
ARM-A	D/T/L/Y	_____	_____
ARM-B	D/T/L/Y	_____	_____
A.B. DIA./B.C./L/Y	_____	_____	_____
NCDOT SIG. INV. NO.	_____	_____	_____
NCDOT POLE NO.	_____	_____	_____

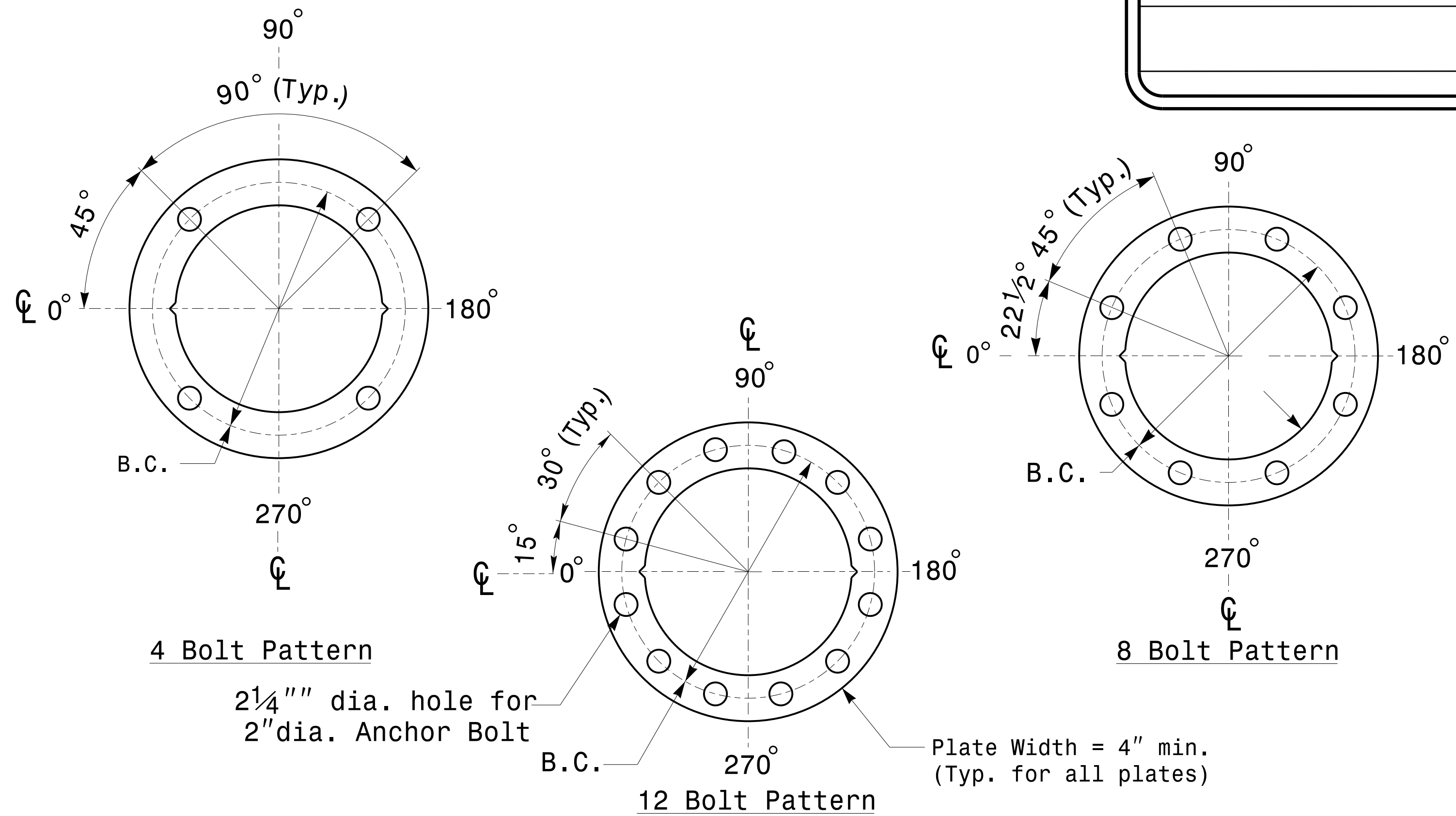
Shaft I.D. Tag  
(Provide on Shaft of Strain Poles and Mast Arm Poles Shaft)

- Notes:**
- 1) D= Diameter, T= Thickness, L= Length, Y= Yield Strength
  - 2) A.B. = Anchor Bolt
  - 3) B.C. = Bolt Circle of Anchor Bolts
  - 4) If Custom Design, use "NCDOT STANDARD" line for Signal Inv. Number and pole I.D. number
  - 5) See drawing M3 and M4 for mounting positions of I.D. tags.

**Identification Tag Details**

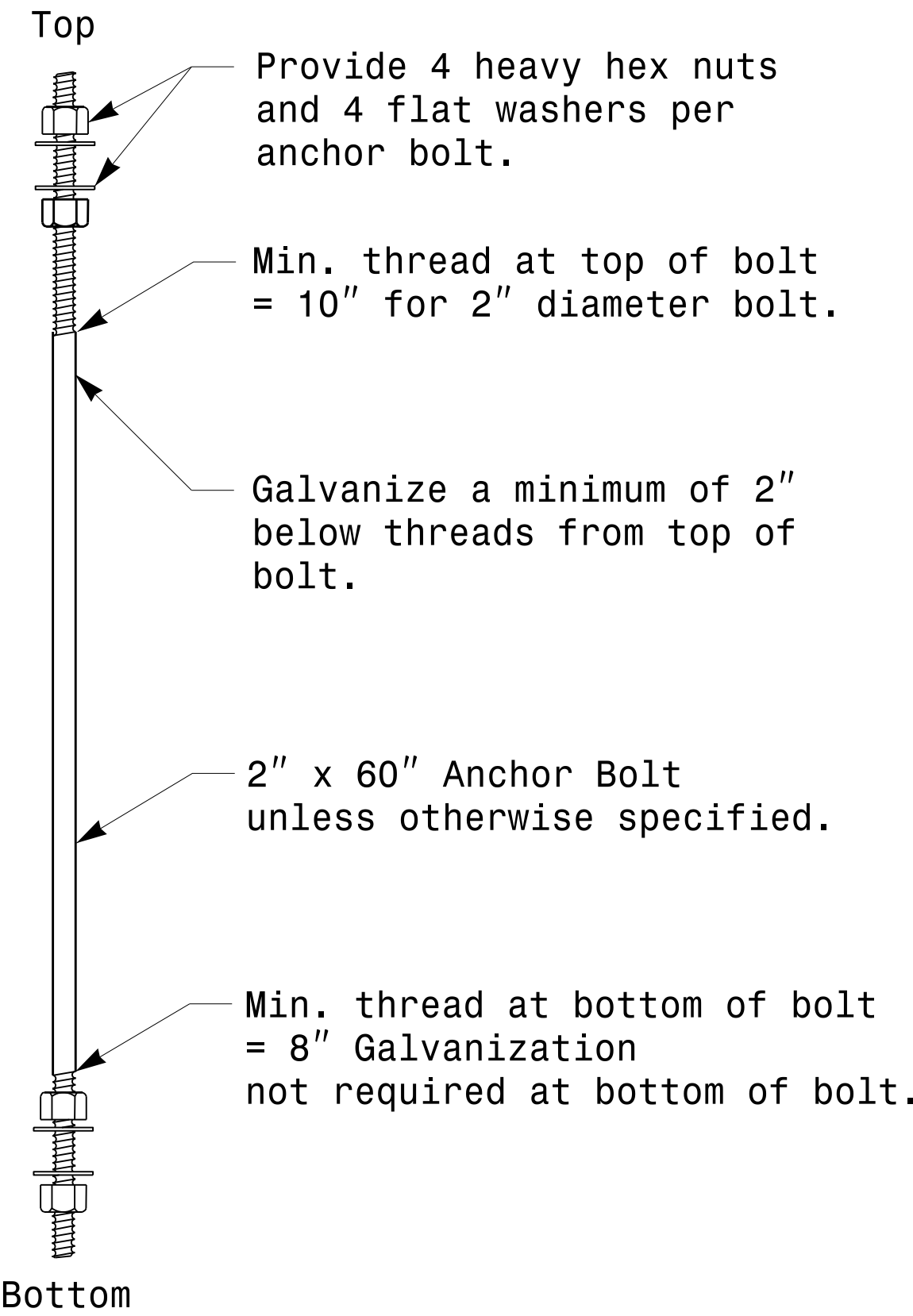
MFG	_____	MFG. DATE: MM/YY	_____
SECTION	D/T/L/Y	_____	_____
NCDOT SIG. INV. NO.	_____	_____	_____
NCDOT POLE NO.	_____	_____	_____

Arm I.D. Tag  
(Provide on each section of a multi-section mast arm.)

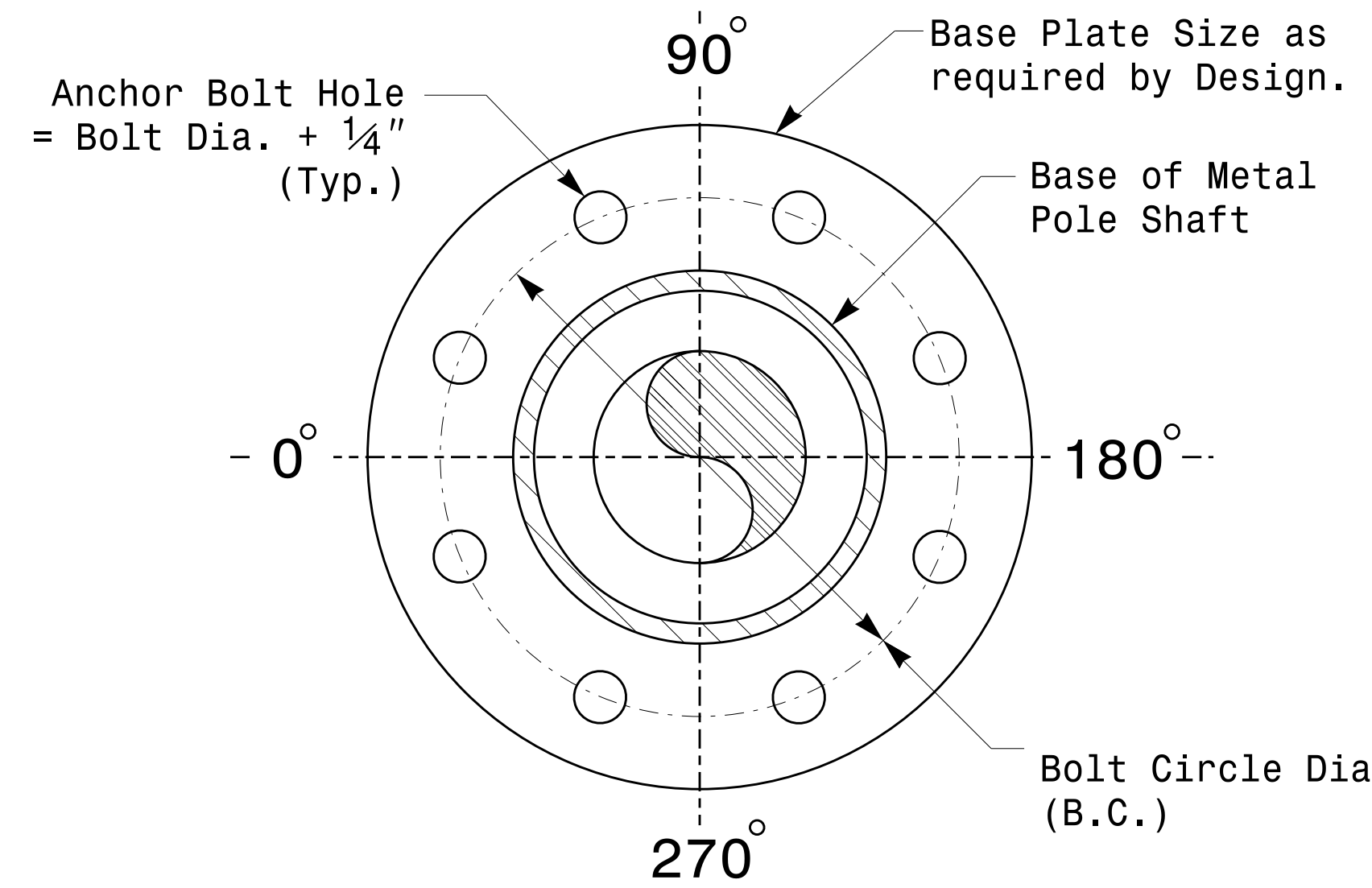


Construct Templates and Plates from 1/4" min. thick Steel. Galvanizing is not required.

**Base Plate Template and Anchor Bolt Lock Plate Details**

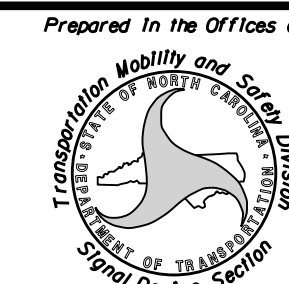


**Anchor Bolt Detail**

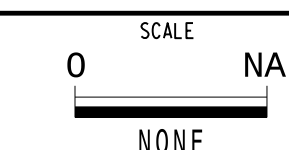


Note: Base plate may be circular, octagonal, square or rectangular in shape.

**Typical Base Plate Detail**

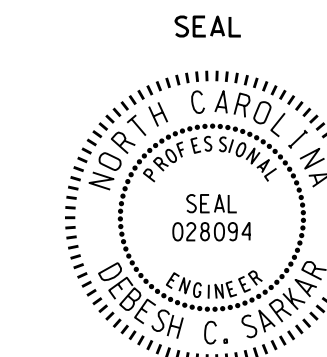


750 N. Greenfield Parkway, Garner, NC 27529



Typical Fabrication Details  
For  
All Metal Poles

PLAN DATE: OCTOBER 2017	DESIGNED BY: C.F. ANDREWS
PREPARED BY: N. BITTING	REVIEWED BY: D.C. SARKAR
REVISIONS	INITIALS DATE



DocuSign by: Debesh C. Sarkar, 10/11/2017