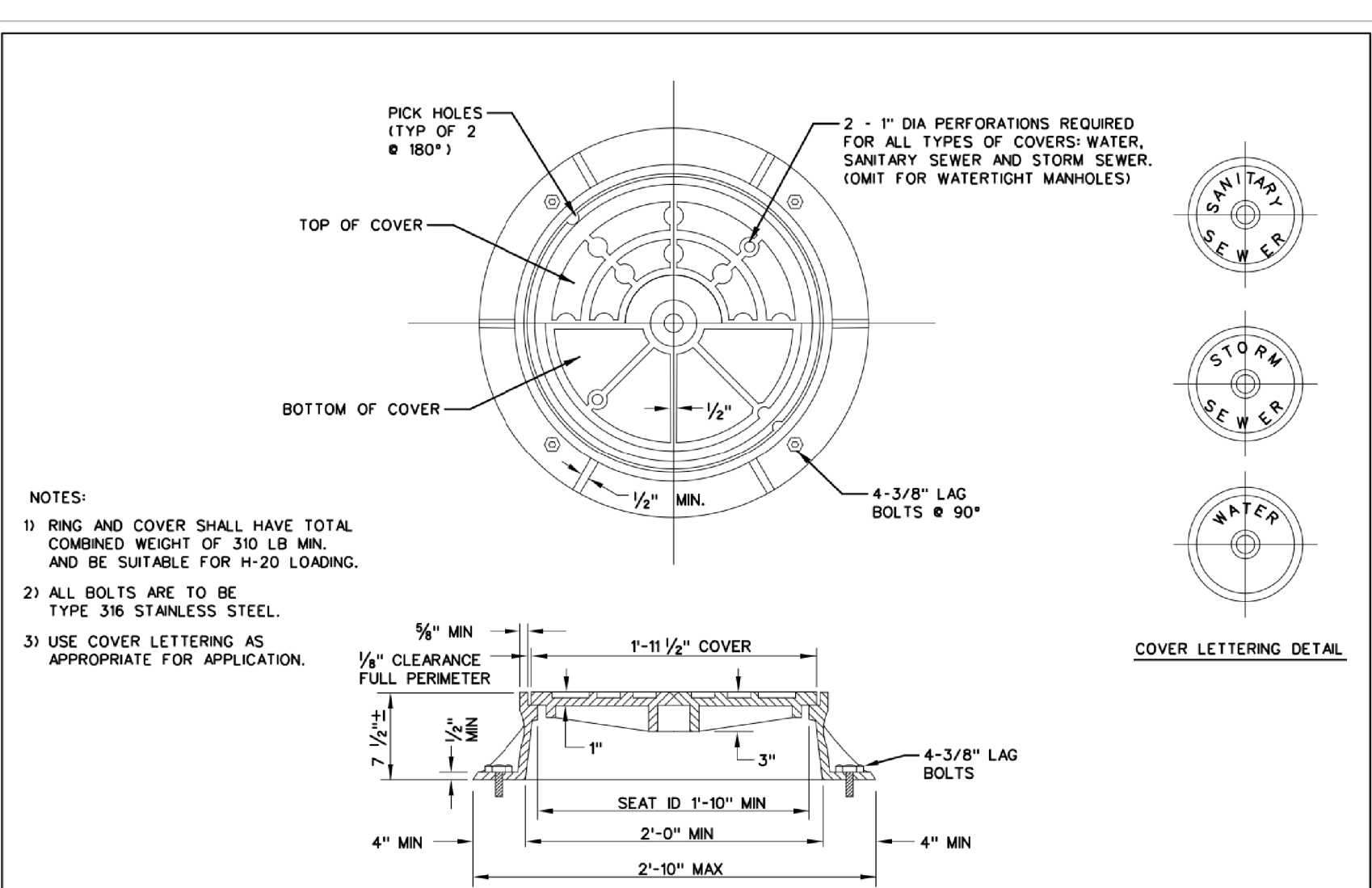


8/17/99
69
68
67
66
65
64
63
62
61
60
59
58
57
56
55
54
53
52
51
50
49
48
47
46
45
44
43
42
41
40
39
38
37
36
35
34
33
32
31
30
29
28
27
26
25
24
23
22
21
20
19
18
17
16
15
14
13
12
11
10
9
8
7
6
5
4
3
2
1

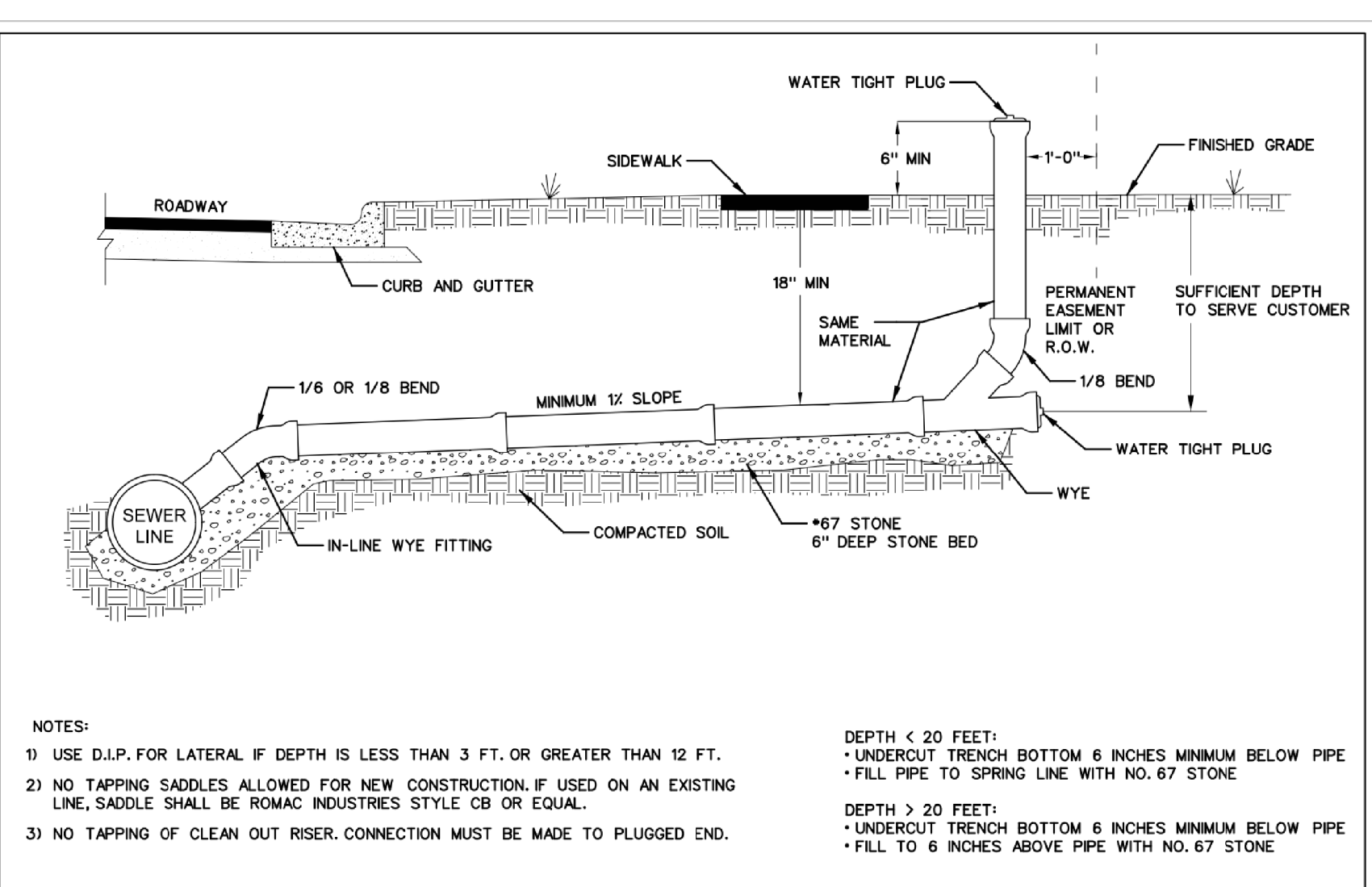


NOTES:
1) RING AND COVER SHALL HAVE TOTAL COMBINED WEIGHT OF 310 LB MIN. AND BE SUITABLE FOR H-20 LOADING.
2) ALL BOLTS ARE TO BE TYPE 316 STAINLESS STEEL.
3) USE COVER LETTERING AS APPROPRIATE FOR APPLICATION.

1/4" MIN CLEARANCE FULL PERIMETER
3/4" MIN
1-11/2" COVER
1"
3"
4-3/8" LAG BOLTS
SEAT ID 1-10" MIN
2'-0" MIN
2'-10" MAX
4" MIN

STANDARD MANHOLE RING AND COVER

DATE:	REVISIONS	TOWN OF TARBORO STANDARD DETAIL	DATE: 07-01-15
			SHEET 1 OF 1
			STD. No. S-1.07



NOTES:
1) USE D.I.P. FOR LATERAL IF DEPTH IS LESS THAN 3 FT. OR GREATER THAN 12 FT.
2) NO TAPPING SADDLES ALLOWED FOR NEW CONSTRUCTION, IF USED ON AN EXISTING LINE, SADDLE SHALL BE ROMAC INDUSTRIES STYLE CB OR EQUAL.
3) NO TAPPING OF CLEAN OUT RISER CONNECTION MUST BE MADE TO PLUGGED END.

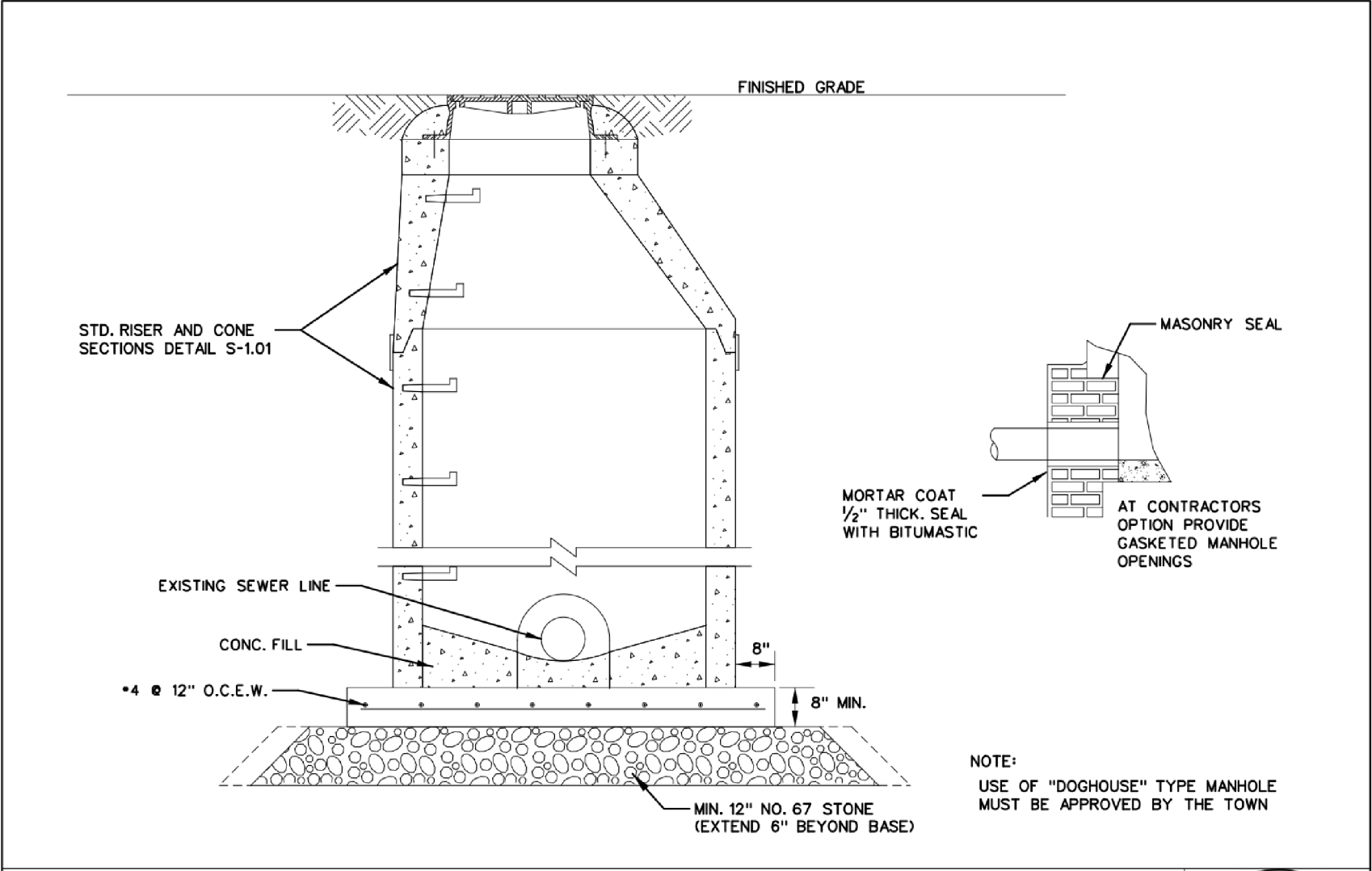
DEPTH < 20 FEET:
• UNDERCUT TRENCH BOTTOM 6 INCHES MINIMUM BELOW PIPE
• FILL PIPE TO SPRING LINE WITH NO. 67 STONE

DEPTH > 20 FEET:
• UNDERCUT TRENCH BOTTOM 6 INCHES MINIMUM BELOW PIPE
• FILL TO 6 INCHES ABOVE PIPE WITH NO. 67 STONE

STANDARD SANITARY SEWER SERVICE

DATE:	REVISIONS	TOWN OF TARBORO STANDARD DETAIL	DATE: 07-01-15
			SHEET 1 OF 1
			STD. No. S-1.13

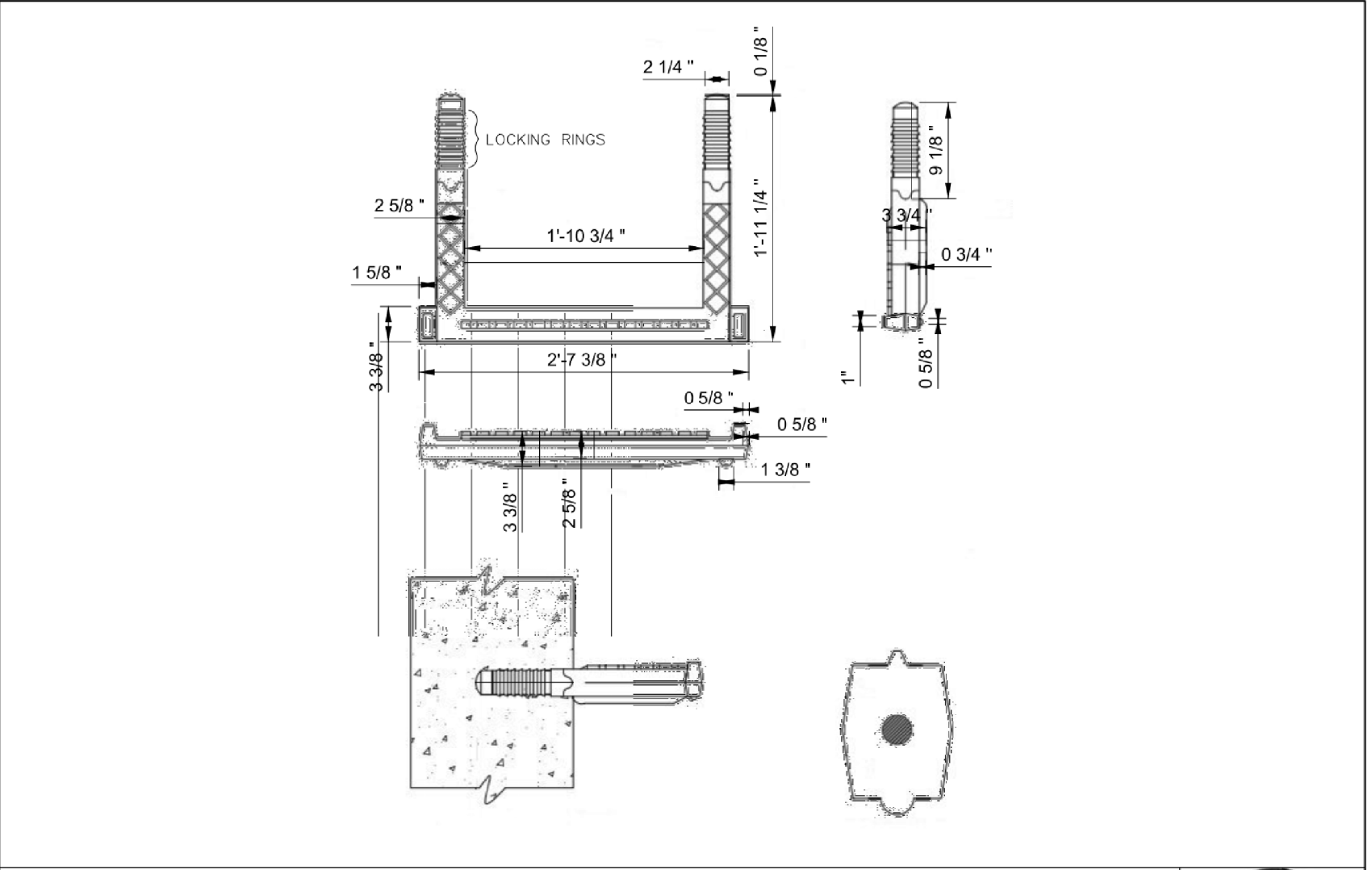
PROJECT REFERENCE NO.	SHEET NO.
U-4424	UC-16
RW SHEET NO.	
DOCUMENT NOT CONSIDERED FINAL UNLESS ALL SIGNATURES COMPLETED	



NOTE: USE OF "DOGHOUSE" TYPE MANHOLE MUST BE APPROVED BY THE TOWN

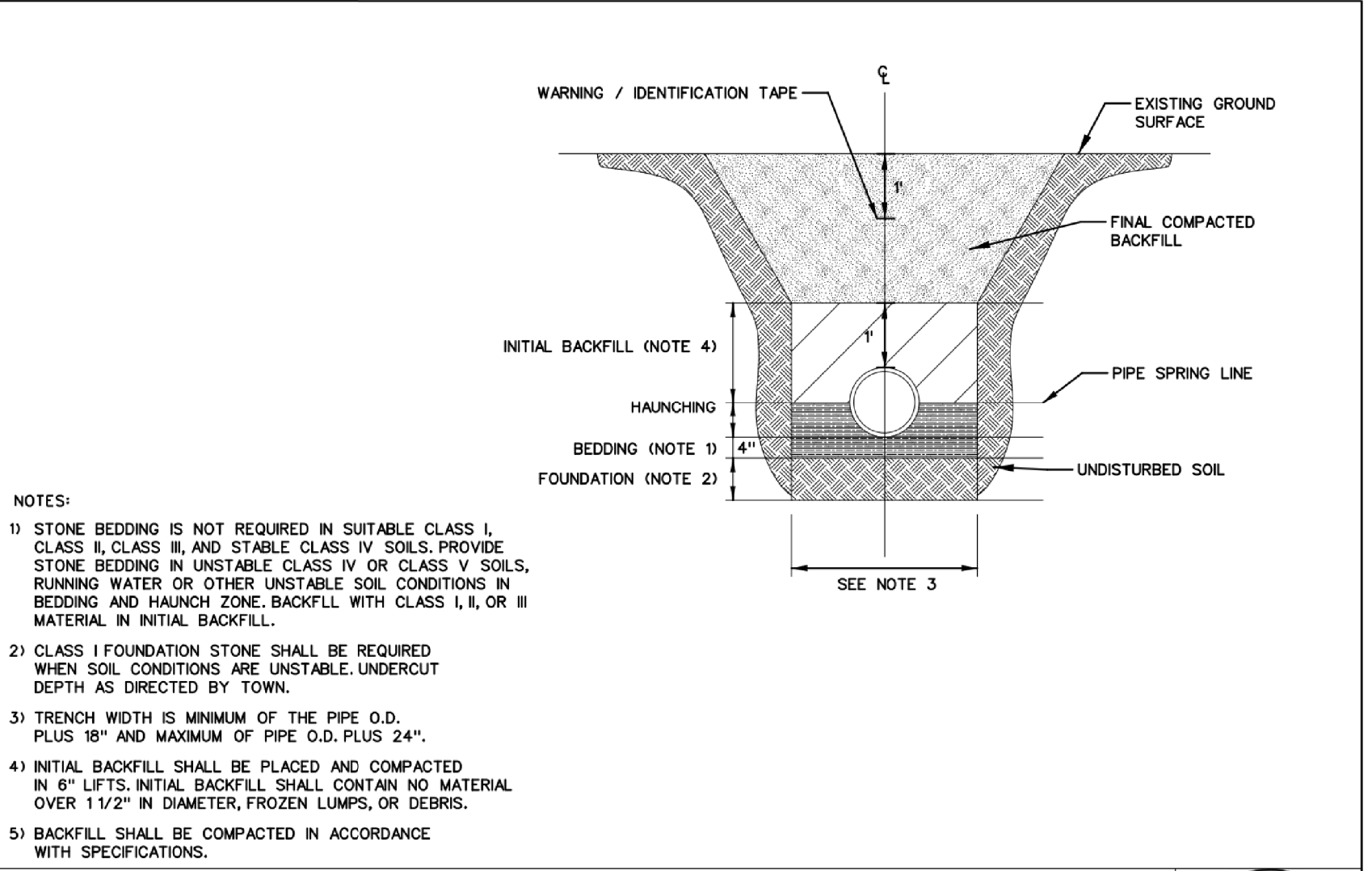
"DOGHOUSE" TYPE MANHOLE

DATE:	REVISIONS	TOWN OF TARBORO STANDARD DETAIL	DATE: 07-01-15
			SHEET 1 OF 1
			STD. No. S-1.04



MANHOLE STEPS

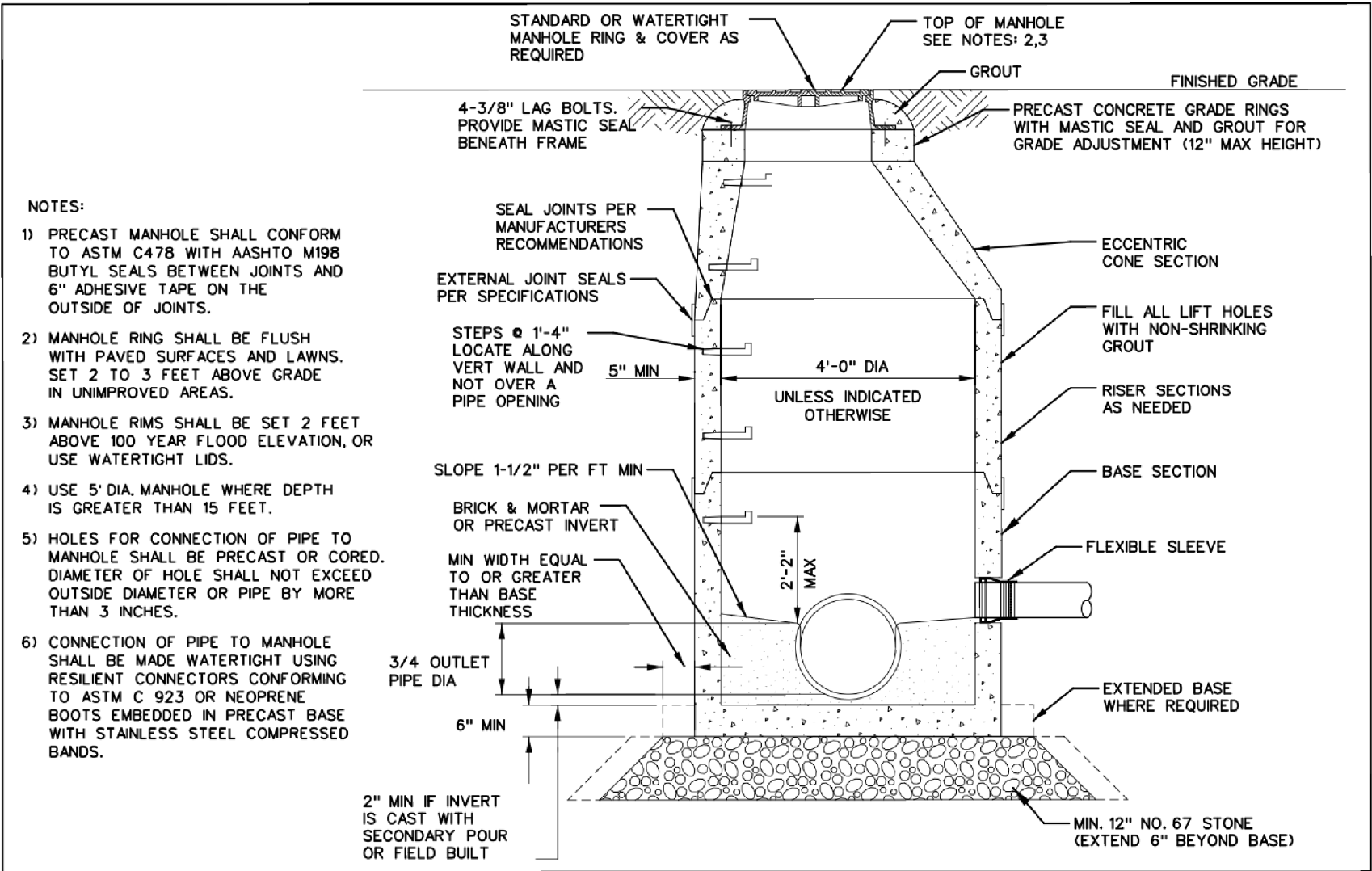
DATE:	REVISIONS	TOWN OF TARBORO STANDARD DETAIL	DATE: 07-01-15
			SHEET 1 OF 1
			STD. No. S-1.12



NOTES:
1) STONE BEDDING IS NOT REQUIRED IN SUITABLE CLASS I, CLASS II, CLASS III, AND STABLE CLASS IV SOILS. PROVIDE STONE BEDDING IN UNSTABLE CLASS IV OR CLASS V SOILS, RUNNING WATER OR OTHER UNSTABLE SOIL CONDITIONS IN BEDDING AND HAUNCH ZONE. BACKFILL WITH CLASS I, II, OR III MATERIAL IN INITIAL BACKFILL.
2) CLASS I FOUNDATION STONE SHALL BE REQUIRED WHEN SOIL CONDITIONS ARE UNSTABLE. UNDERCUT DEPTH AS DIRECTED BY TOWN.
3) TRENCH WIDTH IS MINIMUM OF THE PIPE O.D. PLUS 18" AND MAXIMUM OF PIPE O.D. PLUS 24".
4) INITIAL BACKFILL SHALL BE PLACED AND COMPACTED IN 6" LIFTS. INITIAL BACKFILL SHALL CONTAIN NO MATERIAL OVER 1 1/2" IN DIAMETER, FROZEN LUMPS, OR DEBRIS.
5) BACKFILL SHALL BE COMPACTED IN ACCORDANCE WITH SPECIFICATIONS.

DUCTILE IRON (RIGID) PIPE GRAVITY SEWER BEDDING

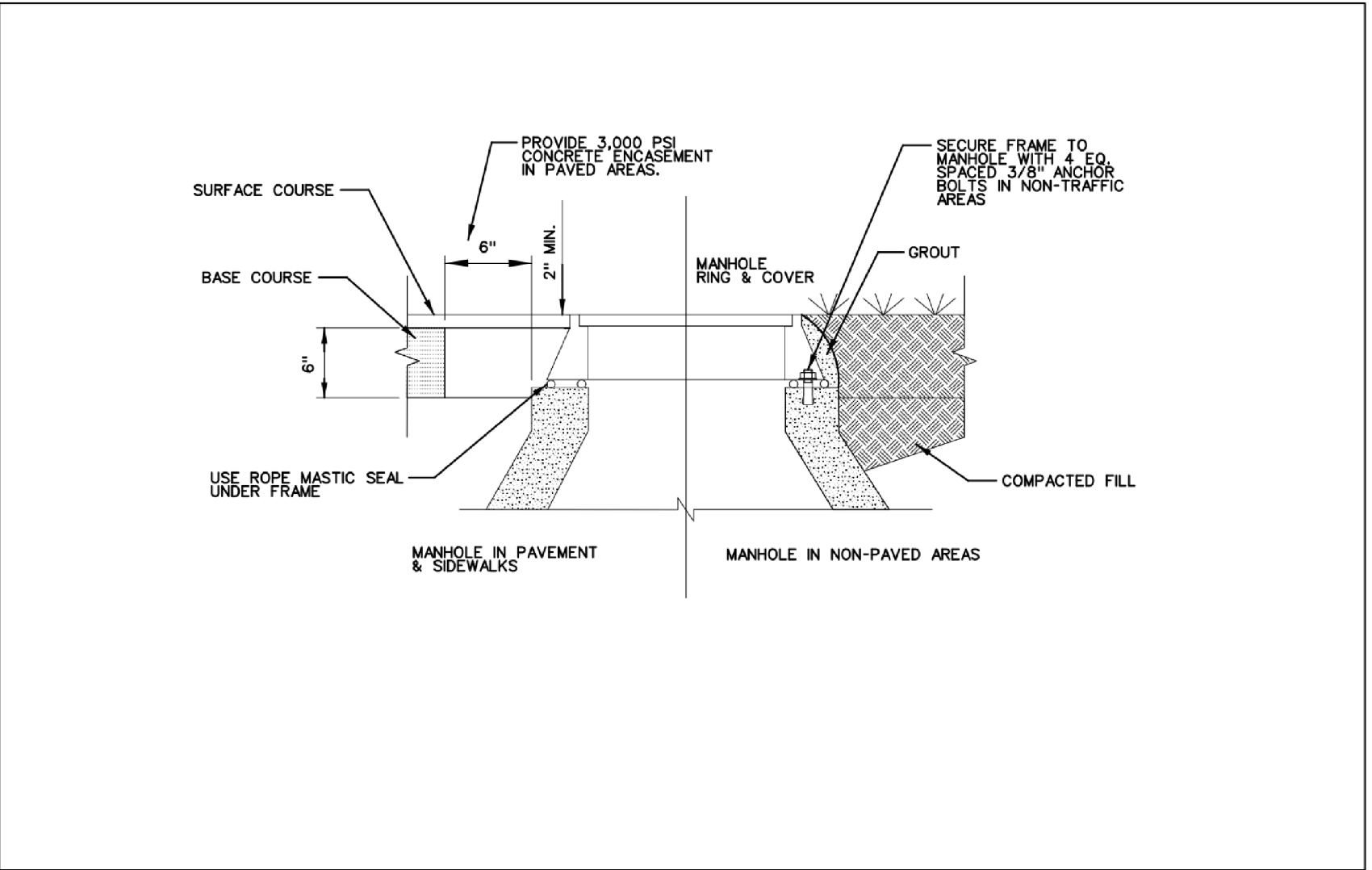
DATE:	REVISIONS	TOWN OF TARBORO STANDARD DETAIL	DATE: 07-01-15
			SHEET 1 OF 1
			STD. No. S-1.17



NOTES:
1) PRECAST MANHOLE SHALL CONFORM TO ASTM C478 WITH ASHTO M198 BUTYL SEALS BETWEEN JOINTS AND 6" ADHESIVE TAPE ON THE OUTSIDE OF JOINTS.
2) MANHOLE RING SHALL BE FLUSH WITH PAVED SURFACES AND LAWNS. SET 2 TO 3 FEET ABOVE GRADE IN UNIMPROVED AREAS.
3) MANHOLE RIMS SHALL BE SET 2 FEET ABOVE 100 YEAR FLOOD ELEVATION, OR USE WATERTIGHT LIDS.
4) USE 5' DIA MANHOLE WHERE DEPTH IS GREATER THAN 15 FEET.
5) HOLES FOR CONNECTION OF PIPE TO MANHOLE SHALL BE PRECAST OR CORED. DIAMETER OF HOLE SHALL NOT EXCEED OUTSIDE DIAMETER OR PIPE BY MORE THAN 3 INCHES.
6) CONNECTION OF PIPE TO MANHOLE SHALL BE MADE WATERTIGHT USING RESILIENT CONNECTORS CONFORMING TO ASTM C 923 OR NEOPRENE BOOTS EMBEDDED IN PRECAST BASE WITH STAINLESS STEEL COMPRESSED BANDS.

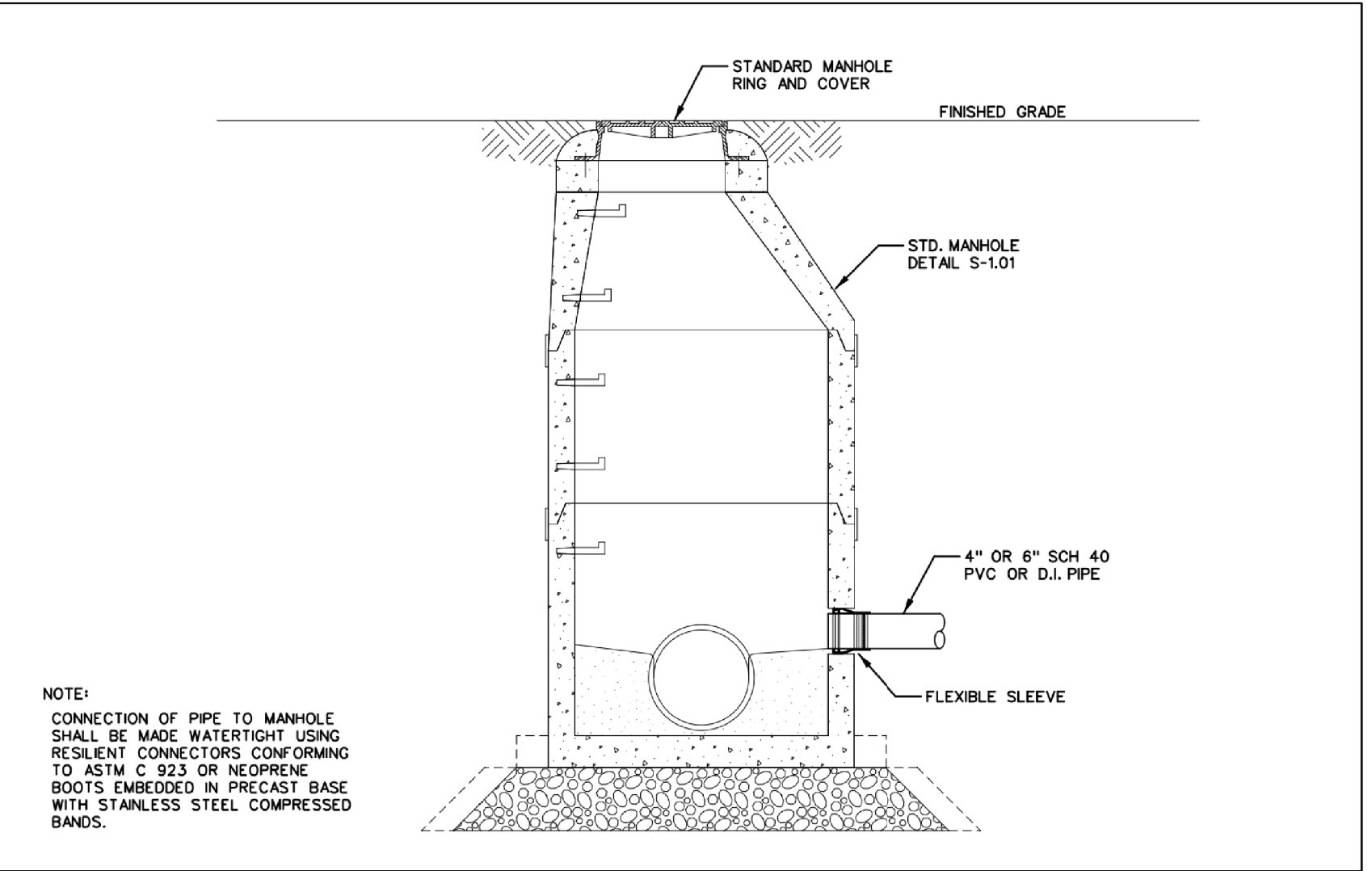
STANDARD PRECAST CONCRETE MANHOLE

DATE:	REVISIONS	TOWN OF TARBORO STANDARD DETAIL	DATE: 07-01-15
			SHEET 1 OF 1
			STD. No. S-1.01



MANHOLE RING AND COVER ANCHORING

DATE:	REVISIONS	TOWN OF TARBORO STANDARD DETAIL	DATE: 07-01-15
			SHEET 1 OF 1
			STD. No. S-1.11



NOTE: CONNECTION OF PIPE TO MANHOLE SHALL BE MADE WATERTIGHT USING RESILIENT CONNECTORS CONFORMING TO ASTM C 923 OR NEOPRENE BOOTS EMBEDDED IN PRECAST BASE WITH STAINLESS STEEL COMPRESSED BANDS.

SEWER LATERAL CONNECTION TO MANHOLE

DATE:	REVISIONS	TOWN OF TARBORO STANDARD DETAIL	DATE: 07-01-15
			SHEET 1 OF 1
			STD. No. S-1.14