
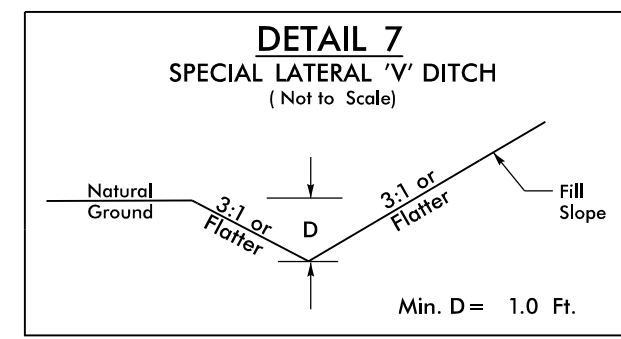


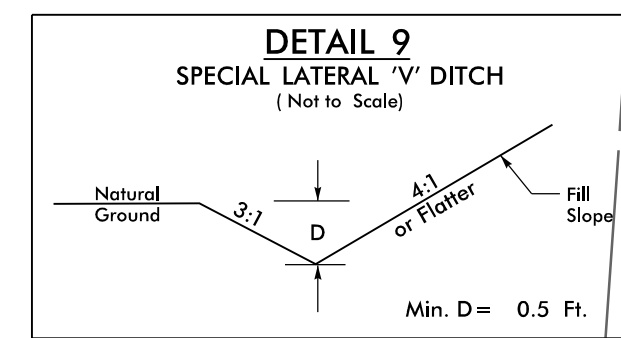
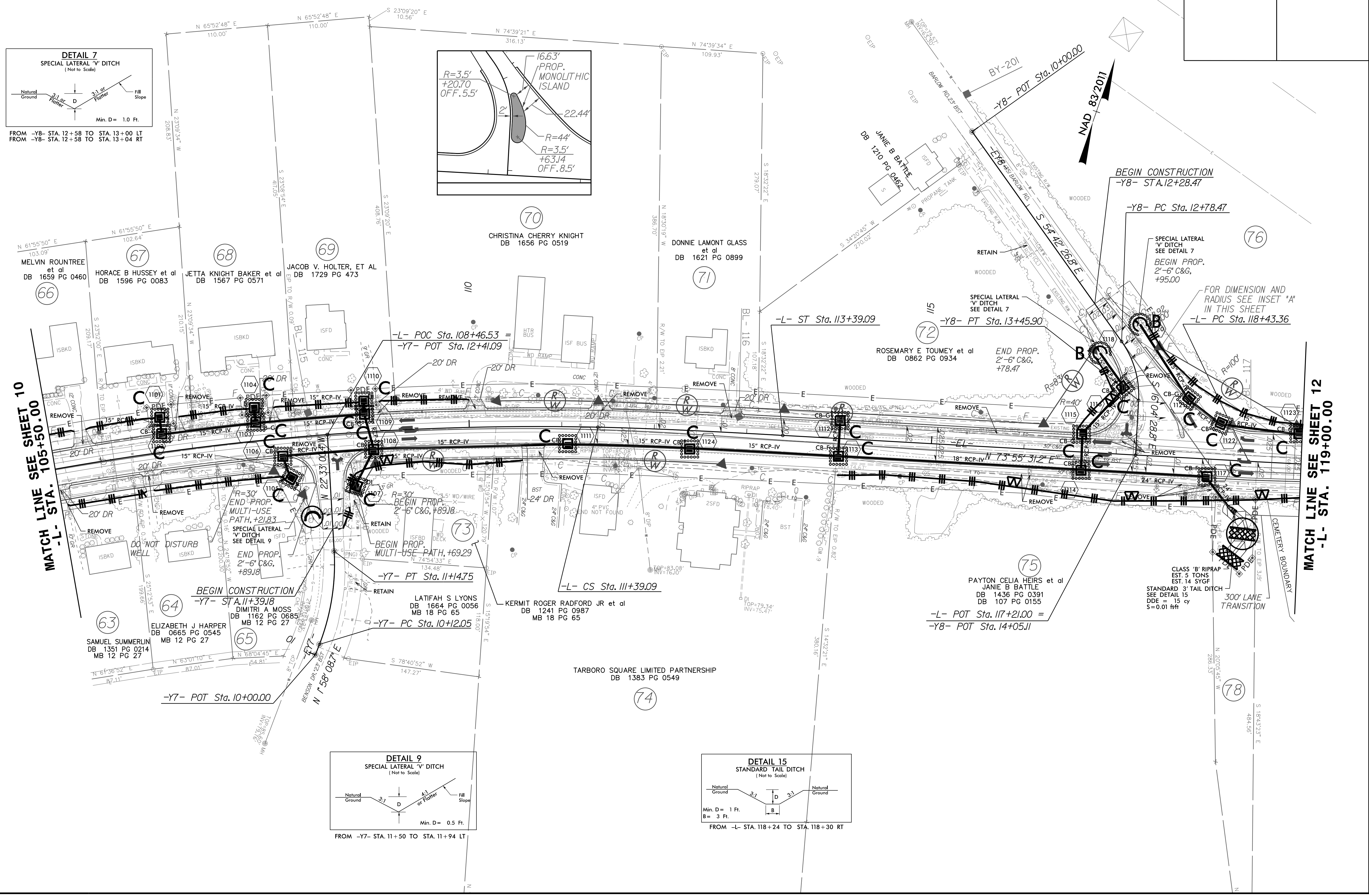
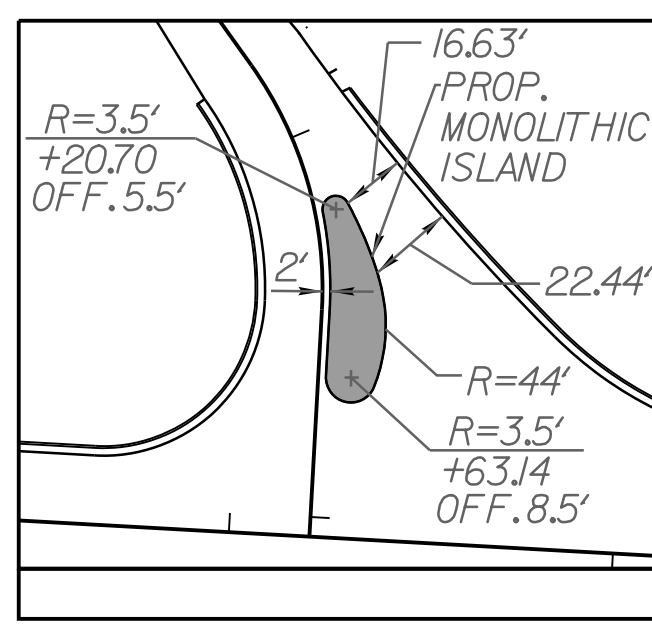
8/17/99
 06-APR-2023 10:43
 SERVICESTORY CONTROL\CADD\U4424_EC_psh11_final.dgn
 WSP

PLANS PREPARED BY:

 WSP USA
 434 FAYETTEVILLE STREET
 SUITE 1500
 RALEIGH, NC 27601
 TEL: 1.919.836.4040
 FAX: 1.919.836.4099
 LICENSE NO. F-0165

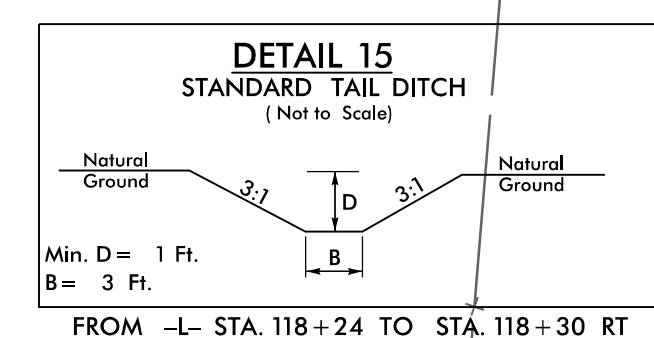
PROJECT REFERENCE NO. U-4424	SHEET NO. EC-21/CONST.II
RW SHEET NO.	
ROADWAY DESIGN ENGINEER	HYDRAULICS ENGINEER



FROM -Y8- STA. 12+58 TO STA. 13+00 LT
 FROM -Y8- STA. 12+58 TO STA. 13+04 RT



FROM -Y7- STA. 11+50 TO STA. 11+94 LT



FROM -L- STA. 118+24 TO STA. 118+30 RT

MATCH LINE SEE SHEET 10
 -L- STA. 105+50.00

MATCH LINE SEE SHEET 12
 -L- STA. 119+00.00

