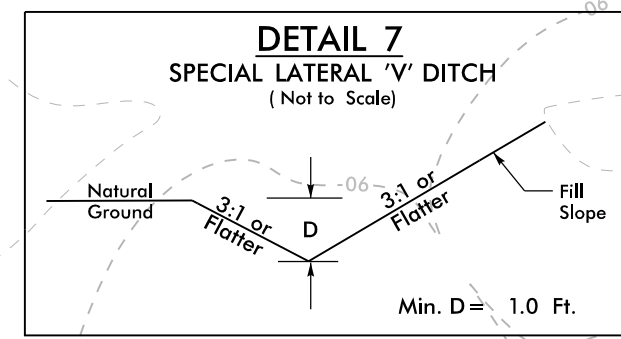


8/17/99
06-APR-2023 10:43
SERVISORY CONTROL\CADD\U4424_EC_psh11_CG.dgn
WSP

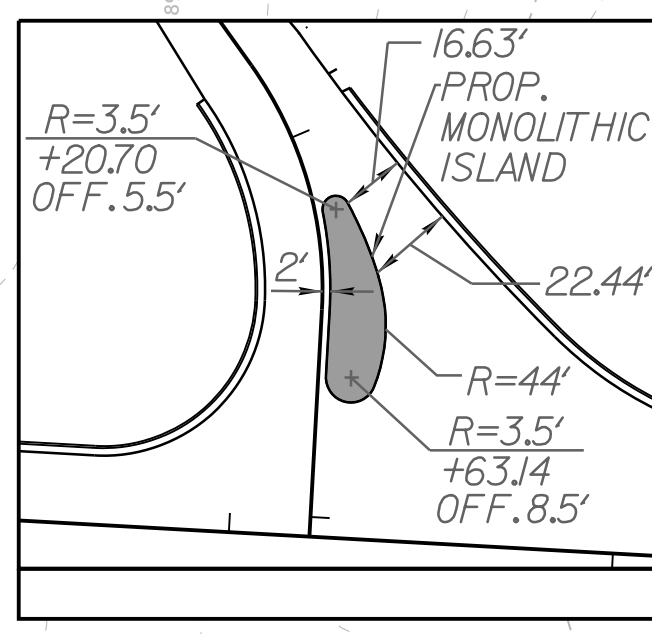
PLANS PREPARED BY:
WSP
WSP USA
434 FAYETTEVILLE STREET
SUITE 1500
RALEIGH, NC 27601
TEL: 1.919.836.4040
FAX: 1.919.836.4099
LICENSE NO. F-0165

PROJECT REFERENCE NO.	SHEET NO.
U-4424	EC-11/CONST.11
RW SHEET NO.	
ROADWAY DESIGN ENGINEER	HYDRAULICS ENGINEER

CLEARING AND GRUBBING
EROSION CONTROL FOR
CONSTRUCTION SHEET 11

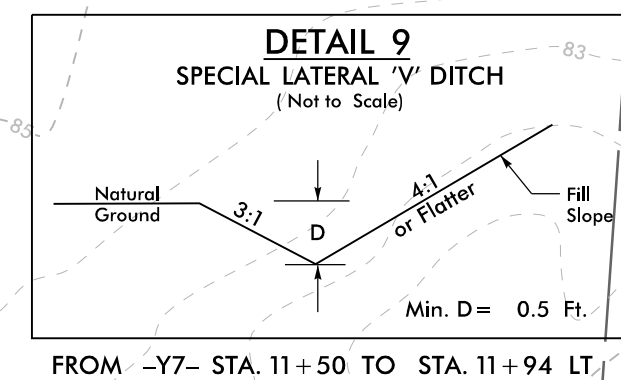
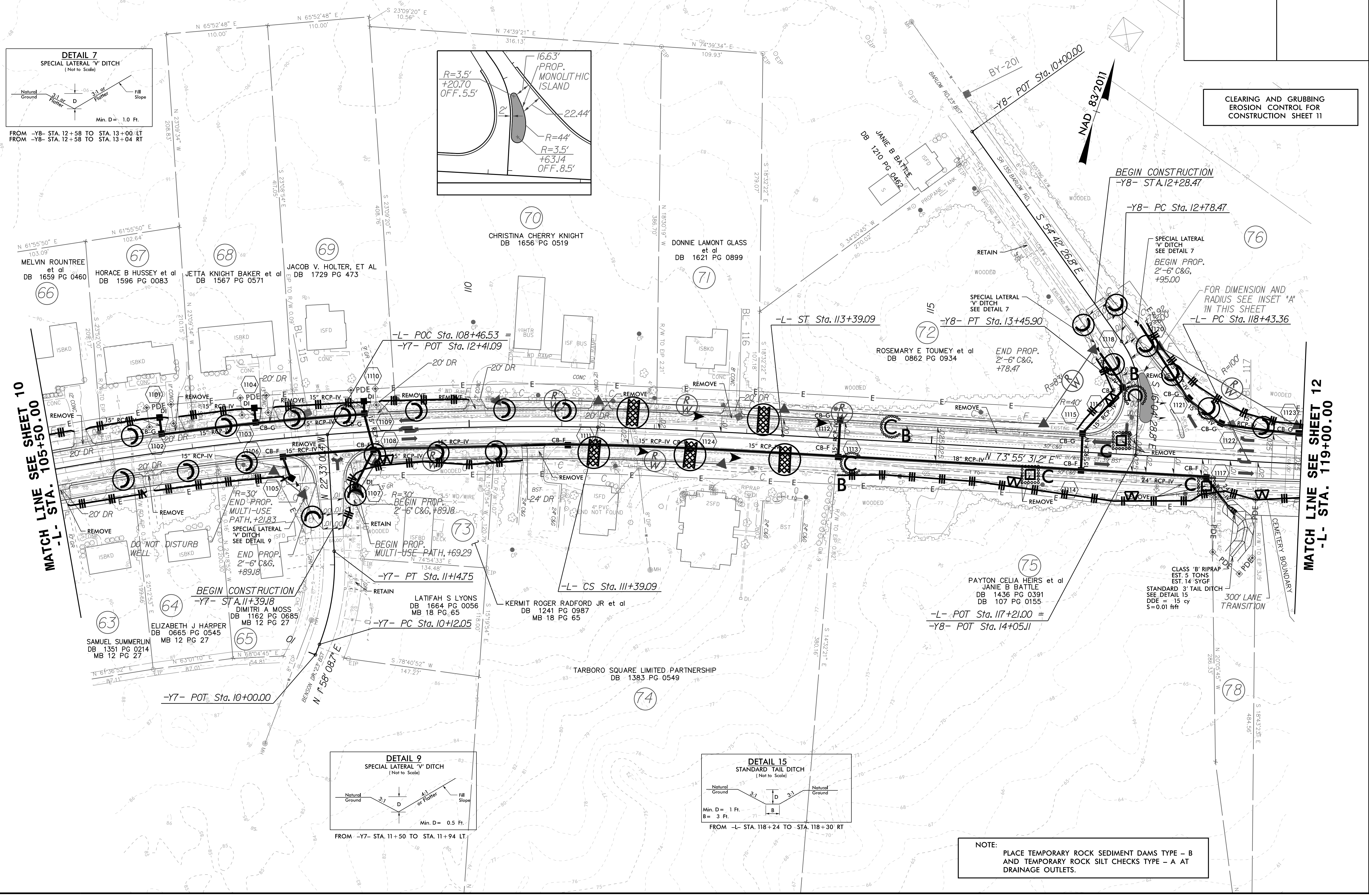


FROM -Y8- STA. 12+58 TO STA. 13+00 LT
FROM -Y8- STA. 12+58 TO STA. 13+04 RT

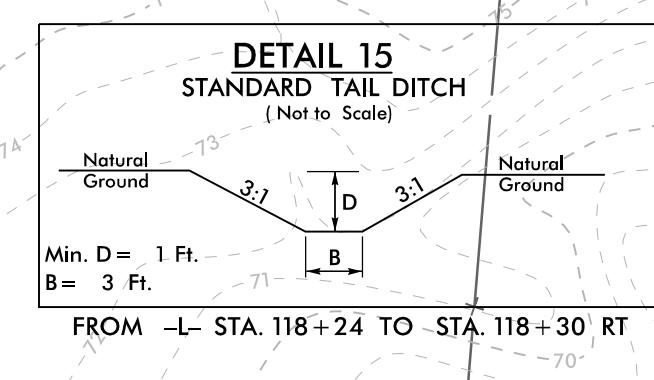


MATCH LINE SEE SHEET 10
-L- STA. 105+50.00

MATCH LINE SEE SHEET 12
-L- STA. 119+00.00



FROM -Y7- STA. 11+50 TO STA. 11+94 LT



FROM -L- STA. 118+24 TO STA. 118+30 RT

NOTE:
PLACE TEMPORARY ROCK SEDIMENT DAMS TYPE - B
AND TEMPORARY ROCK SILT CHECKS TYPE - A AT
DRAINAGE OUTLETS.