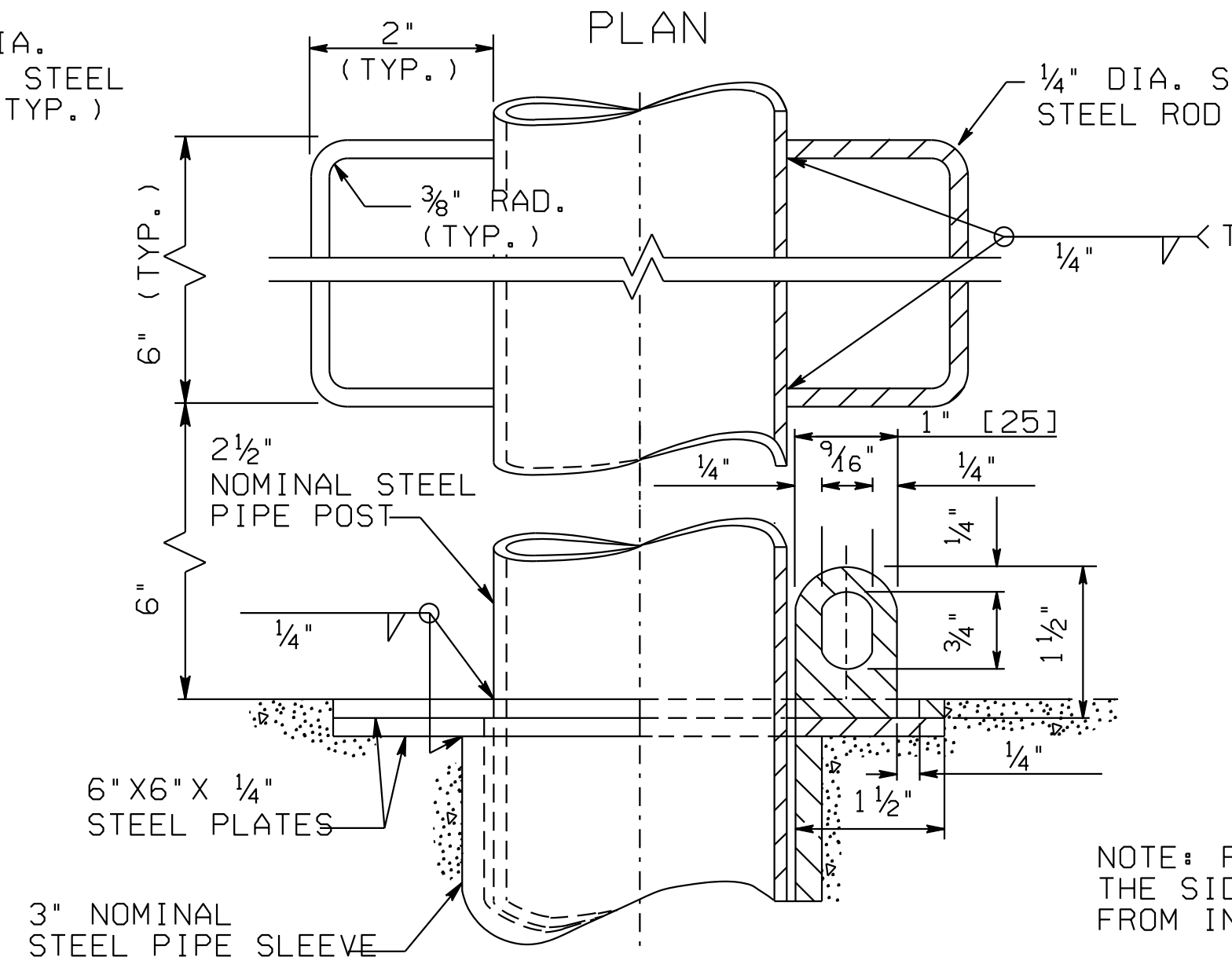
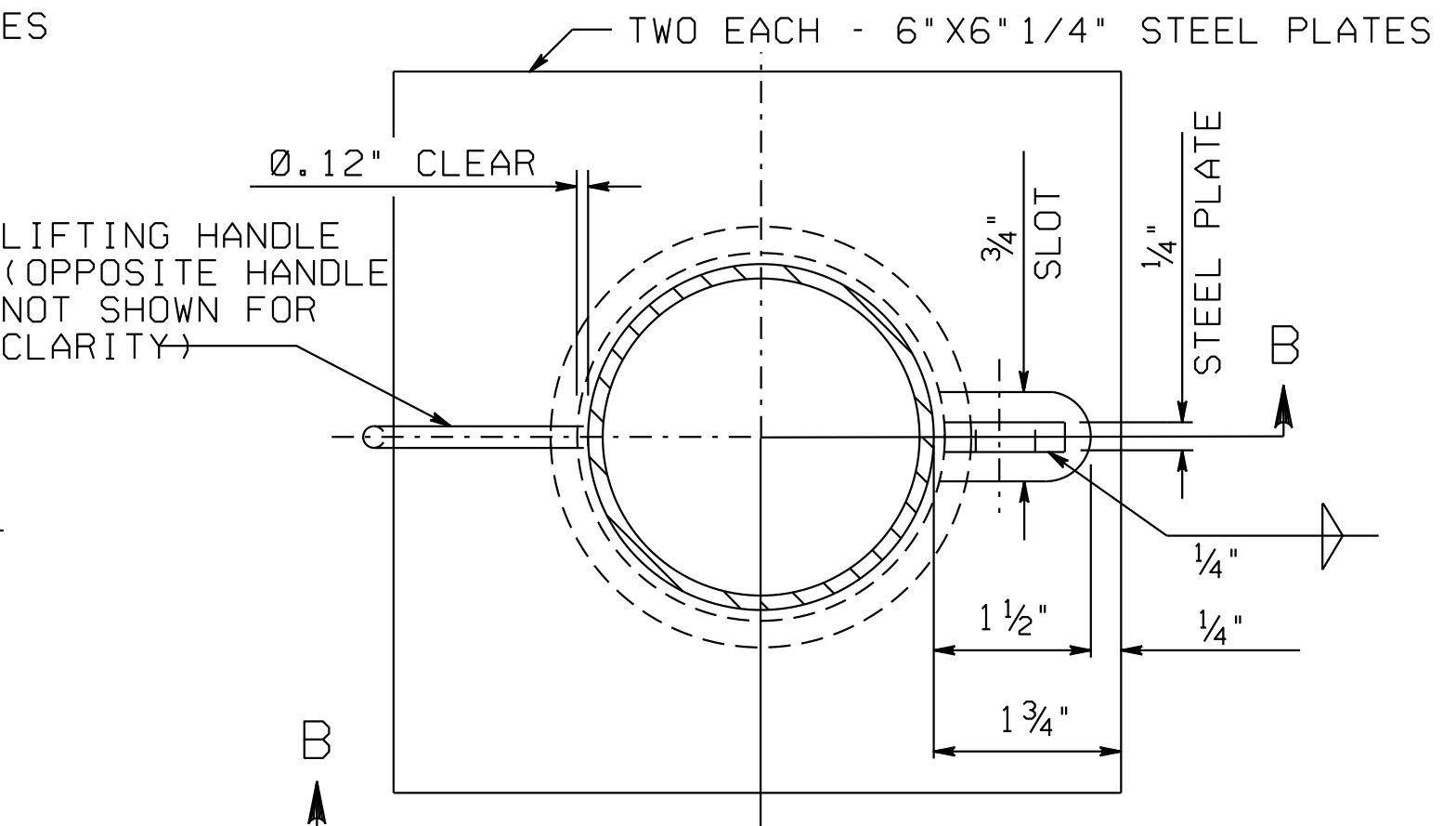
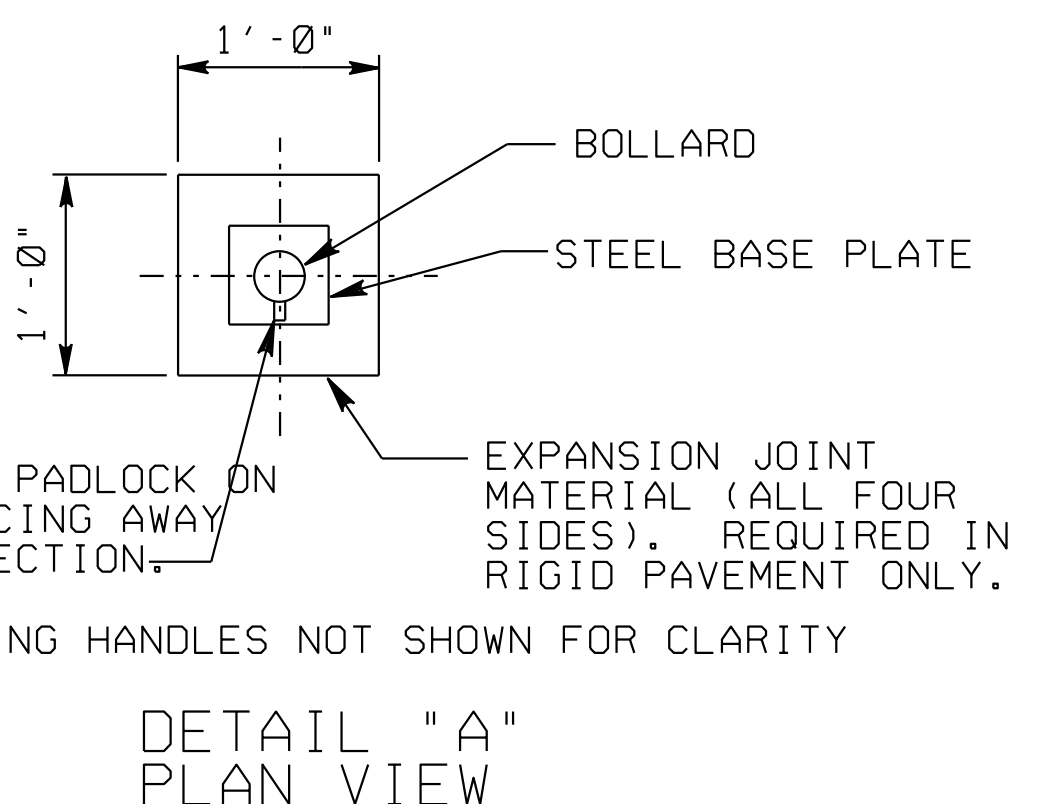


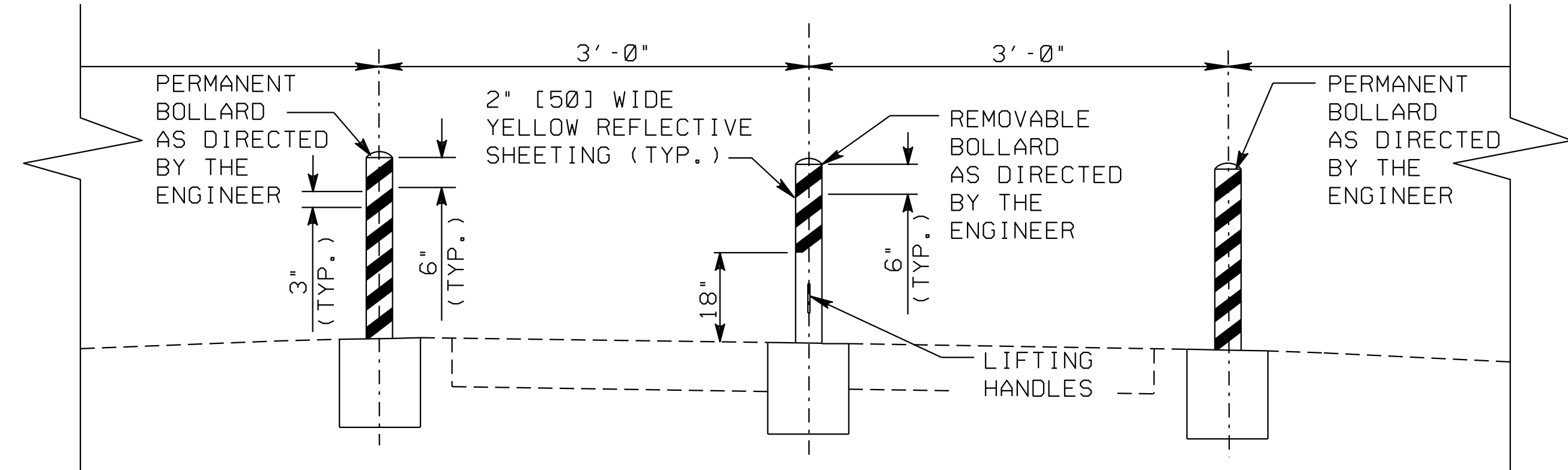
SECTION A-A
REMOVABLE SQUARE BOLLARD



SECTION B-B
REMOVABLE ROUND BOLLARD



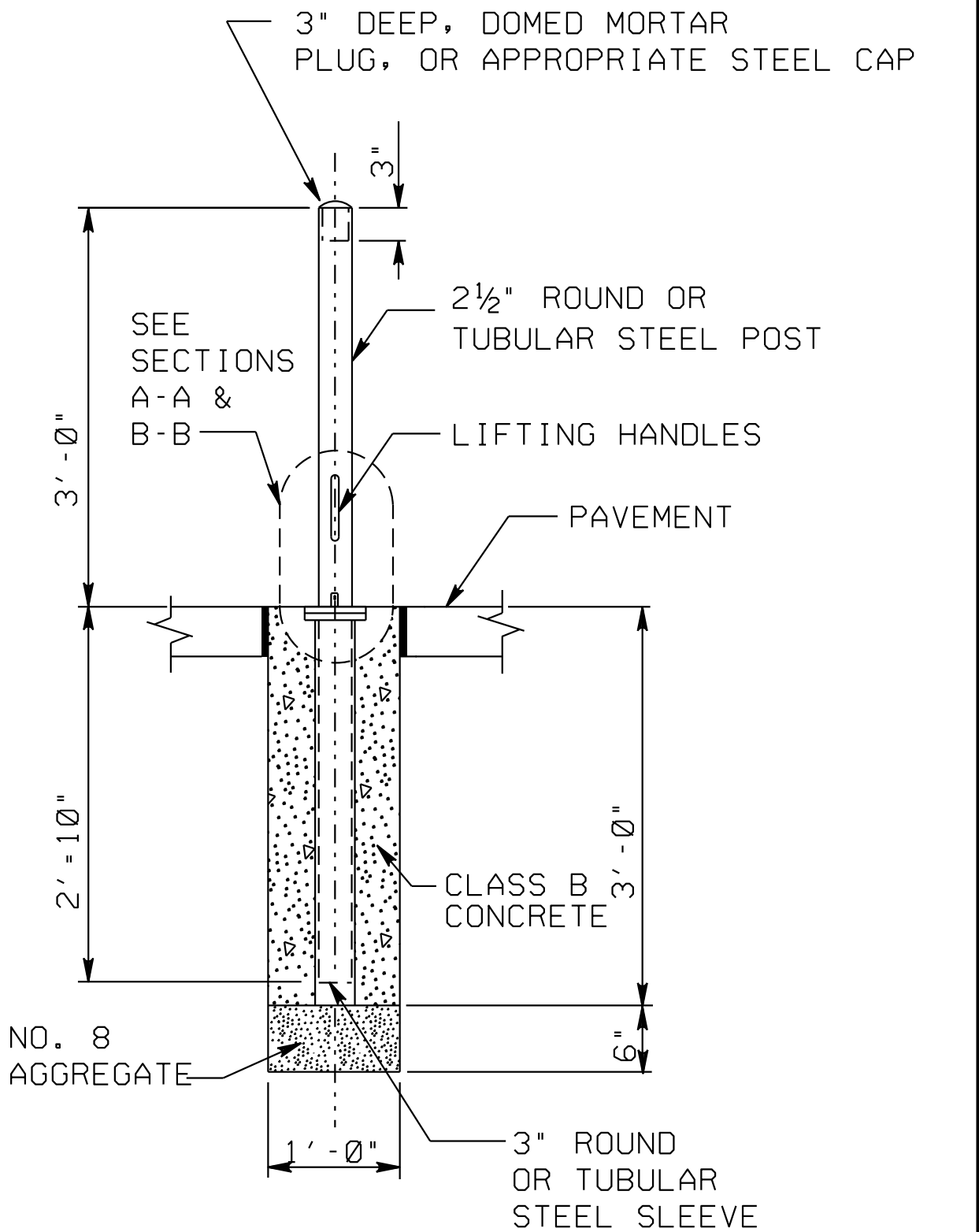
DETAIL "A"
PLAN VIEW



BOLLARD PLACEMENT - ELEVATION VIEW

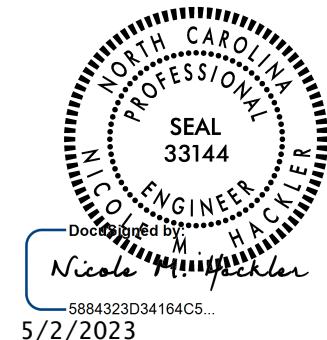
NOTES

- GENERAL: MOUNT ALL BOLLARD SLEEVES FLUSH WITH THE PAVEMENT.
- CONCRETE ENCASEMENT: SLEEVE ENCASEMENT SHALL BE SQUARE AS SHOWN, IN CONCRETE PAVEMENT, BUT MAY BE SQUARE OR ROUND IN FLEXIBLE PAVEMENT. ROUND ENCASEMENT SHOULD BE 1'-0" DIAMETER.
- PREFORMED EXPANSION JOINT FILLER: IS REQUIRED WHEN BOLLARDS ARE SET IN CONCRETE PAVEMENT.
- STEEL PIPE: ASTM A 53 SCHEDULE 40.
- CONCRETE: USE CLASS B CONCRETE.
- GALVANIZING: AFTER FABRICATING, HOT-DIP GALVANIZE ALL STEEL PARTS, INCLUDING STEEL PIPE, AS SPECIFIED IN ASTM A 123.
- ALUMINUM: ALL STEEL COMPONENTS MAY BE REPLACED BY ALUMINUM COMPONENTS MEETING THE FOLLOWING ASTM SPECIFICATIONS: B 209 (PLATE), B 210 OR B 241 (DRAWN SEAMLESS TUBES & PLATES), B 211 (RODS), AND F 901 (BOLTS).
- PERMANENT BOLLARDS: PERMANENT BOLLARDS SHALL BE THE SAME AS REMOVABLE BOLLARDS, EXCEPT THAT THE STEEL PLATES, SLEEVES AND LIFTING HANDLES SHALL BE OMITTED. ENCASE POSTS DIRECTLY IN CONCRETE.



DETAIL "A"
ELEVATION VIEW
REMOVABLE BOLLARD

05-MAR-2019 13:51 S:\Contracts\Special Details\english\misc\bollards steel.dgn ktemp AT CSD-292596



DOCUMENT NOT CONSIDERED FINAL UNLESS ALL SIGNATURES COMPLETED

CONTRACT STANDARDS & DEVELOPMENT UNIT
STANDARDS AND SPECIAL DESIGN
Office 919-707-6950 FAX 919-250-4119

STEEL BOLLARDS

ORIGINAL BY: _____ DATE: _____
 MODIFIED BY: _____ DATE: _____
 CHECKED BY: _____ DATE: _____
 FILE SPEC.: nbritt/english/misc/bollards steel.dgn