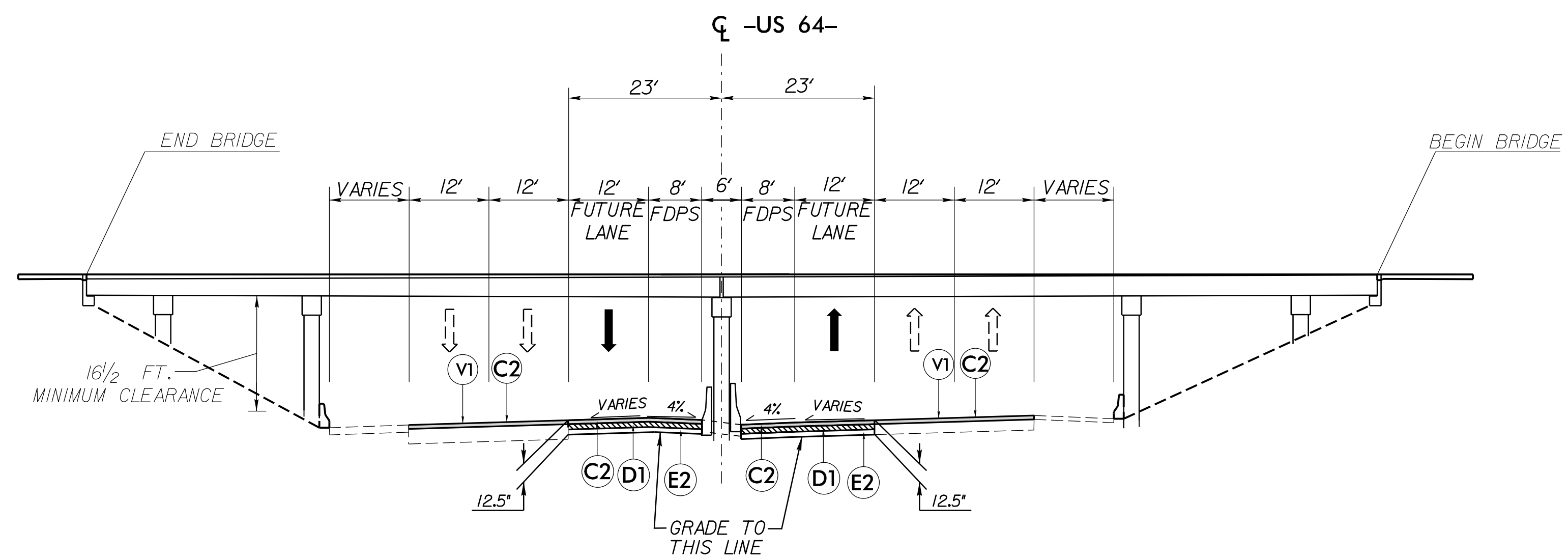


6/2/2023

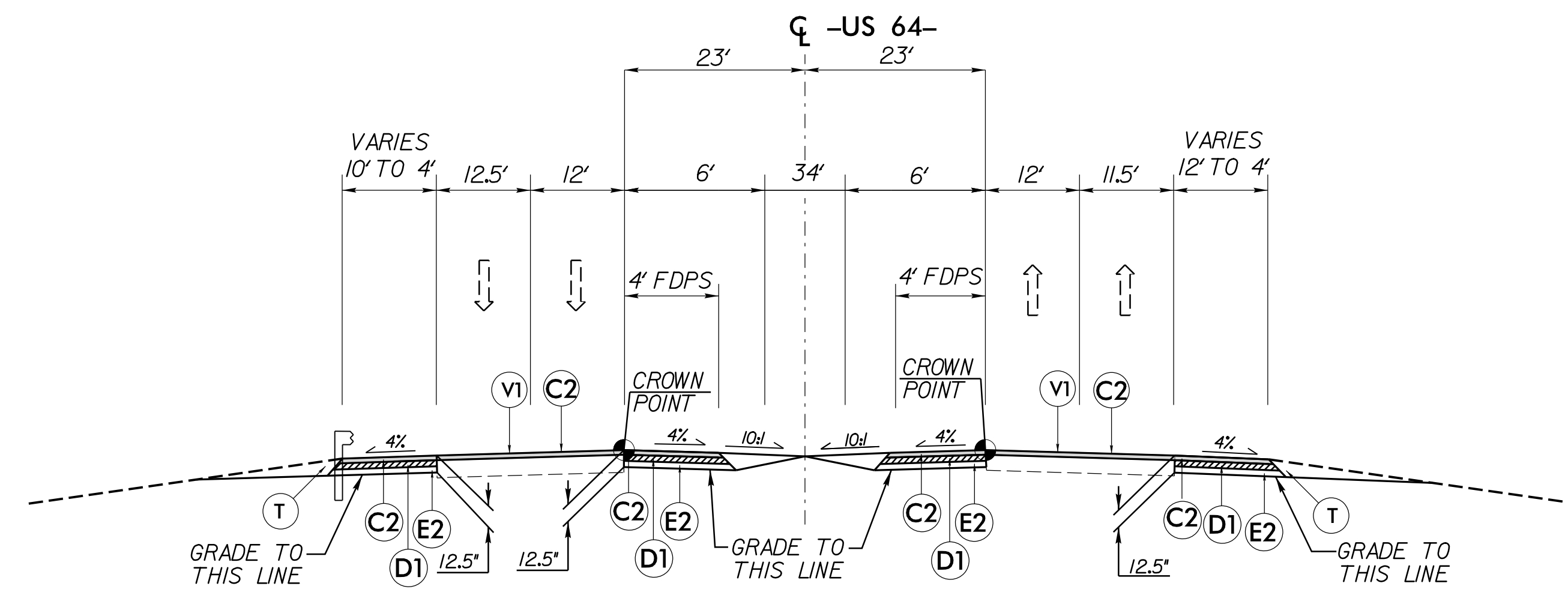
FINAL PAVEMENT DESIGN

PAVEMENT SCHEDULE FINAL PAVEMENT DESIGN	
C1	3" S9.5B
C2	3" S9.5C
C3	VAR. DEPTH S9.5B
D1	4" I19.0C
D2	VAR. DEPTH I19.0C
E1	4" B25.0C
E2	5.5" B25.0C
E3	VAR. DEPTH B25.0C
R1	2'-6" CURB & GUTTER
R2	1'-6" CURB & GUTTER
R3	SHOULDER BERM GUTTER
S1	4" CONCRETE SIDEWALK (SEE SPECIAL PROVISION)
T	EARTH MATERIAL
U	EXISTING PAVEMENT
V	MILLING 1.5"
V1	MILLING 3"
W	WEDGING

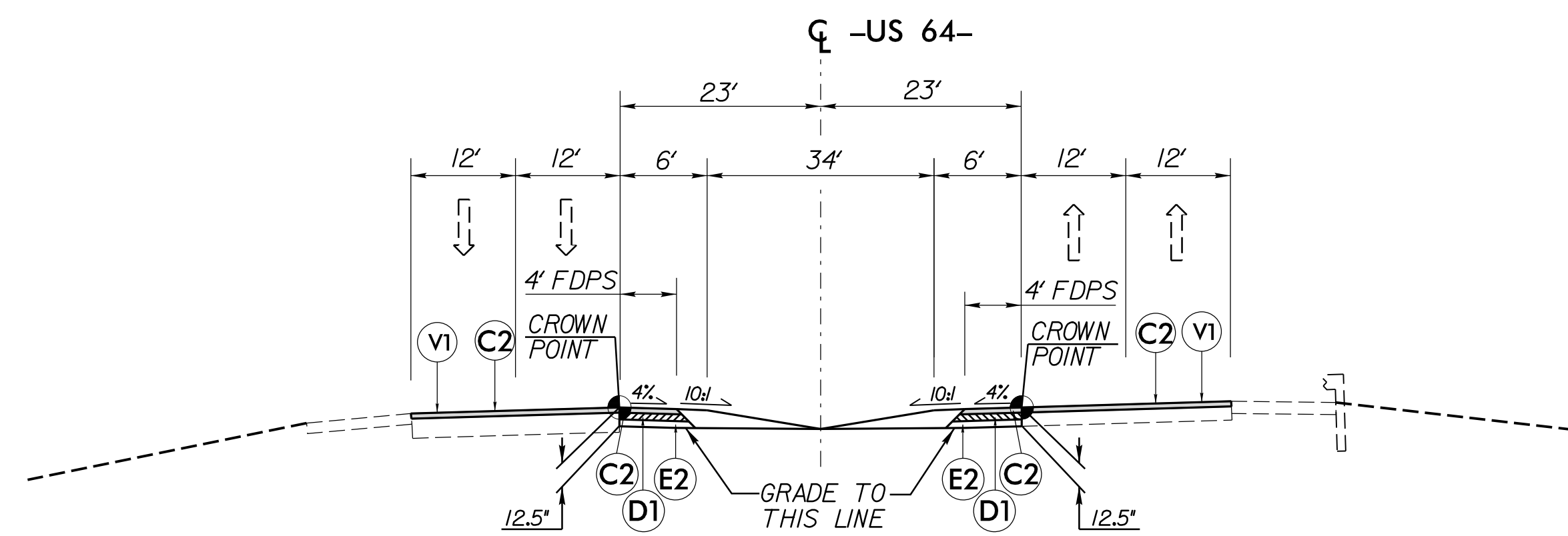


**TYPICAL SECTION NO. 10**  
-US 64- STA. 1003+99.60 TO -US 64- STA. 1005+05.38

TRANSITION FROM TYPICAL NO. 10 TO  
TYPICALS NO. 11 AND 12



**TYPICAL SECTION NO. 11**  
-US 64- STA. 1004+06.96 RT TO -US 64- STA. 1006+73.00



**TYPICAL SECTION NO. 12**  
-US 64- STA. 1002+37.07 TO -US 64- STA. 1003+99.60

PROJECT REFERENCE NO. U-4424	SHEET NO. 2A-4
ROADWAY DESIGN ENGINEER 	PAVEMENT DESIGN ENGINEER 
<b>DOCUMENT NOT CONSIDERED FINAL UNLESS ALL SIGNATURES COMPLETED</b>	
WSP USA 434 FAYETTEVILLE STREET SUITE 1500 RALEIGH, NC 27601 TEL: 1.919.836.4040 FAX: 1.919.836.4099 LICENSE NO. F-0165	

I:\APR-2023\14156  
Roadway\Proj\U4424\_Rdy\_tup.dgn