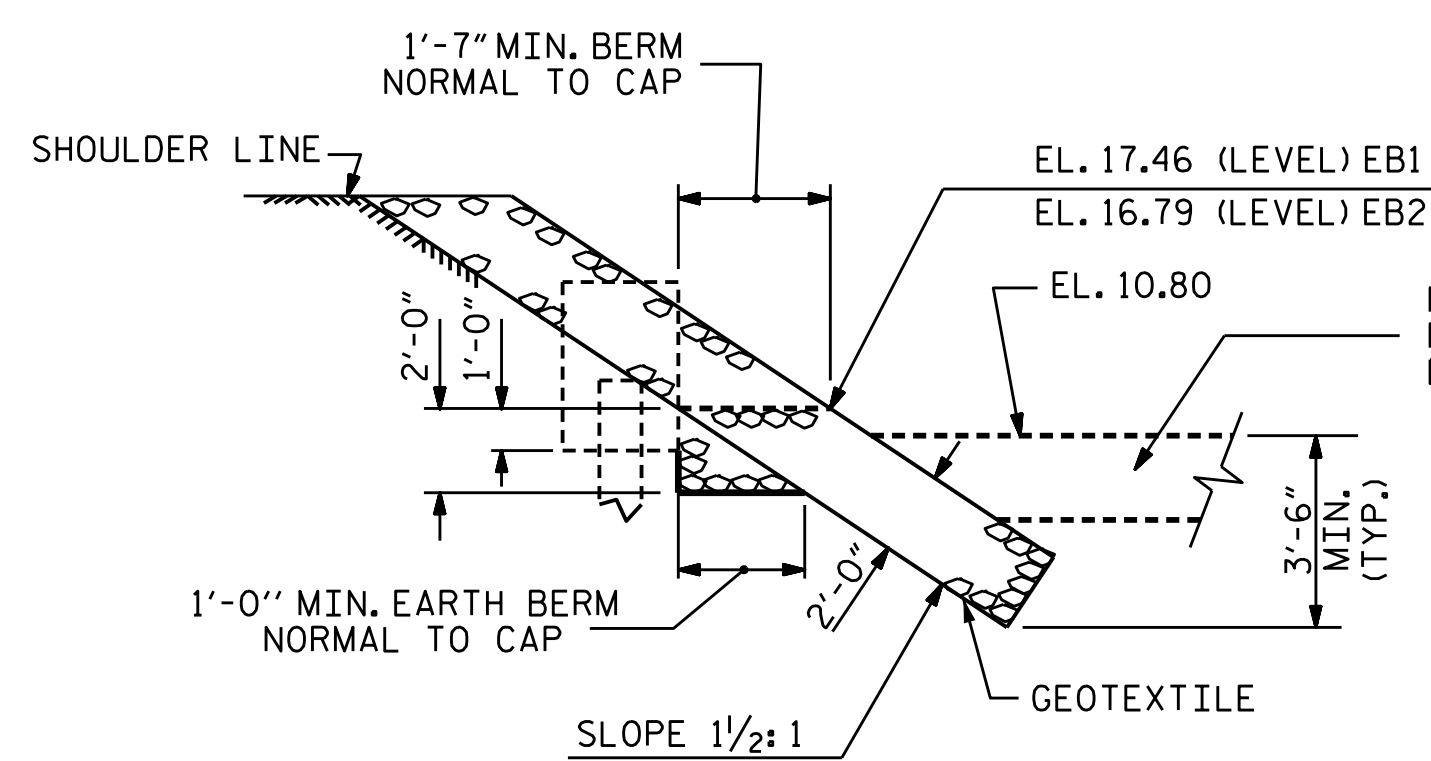
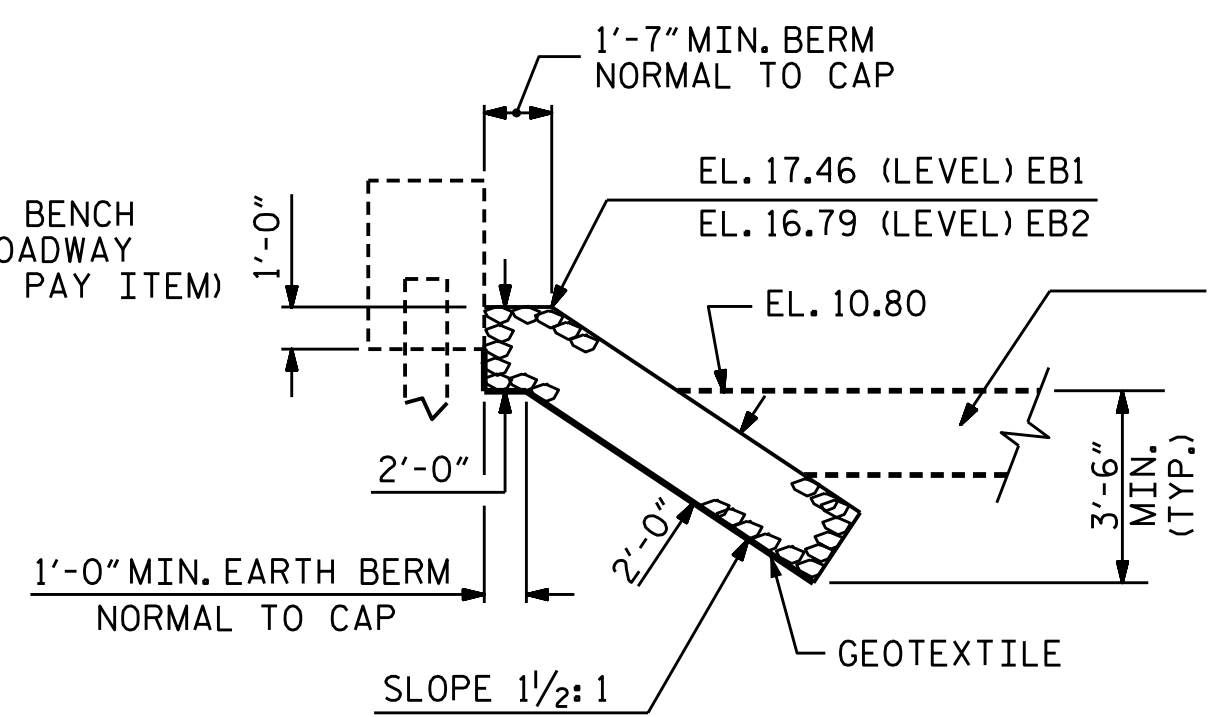


BERM RIP RAPPED

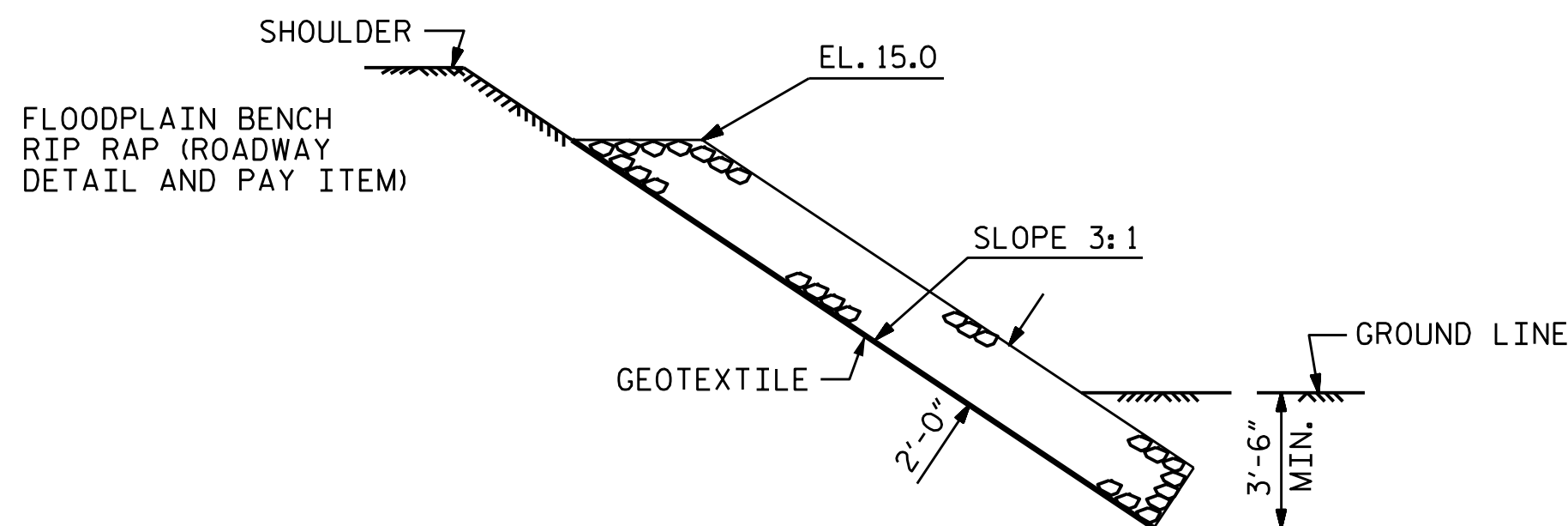
ESTIMATED QUANTITIES		
BRIDGE @ STA. 71+06.00 -L-	RIP RAP CLASS II (2'-0" THICK)	GEOTEXTILE FOR DRAINAGE
	TONS	SQUARE YARDS
END BENT 1	475	530
END BENT 2	325	360



SECTION H-H



SECTION C-C
BERM RIP RAPPED



SECTION C-C

PROJECT NO. R-2561CA
COLUMBUS COUNTY
 STATION: 71+06.00 -L-

STATE OF NORTH CAROLINA
 DEPARTMENT OF TRANSPORTATION
 RALEIGH
 STANDARD
 RIP RAP DETAILS
 RIGHT LANE

DocuSigned by:

 DB3C8E45B06D499
 8/15/2022
 NORTH CAROLINA PROFESSIONAL SEAL 14114
 ENGINEER
 ROBERT C. LARSON

DESIGN ENGINEER OF RECORD: DATE: 8/15/2022
 ASSEMBLED BY: A. K. ALLANKAR DATE: 08/28/20
 CHECKED BY: R. C. LARSON DATE: 11/17/20
 DRAWN BY: REK 1/84 REV. 10/1/11 MAA/GM
 CHECKED BY: RDU 1/84 REV. 12/21/11 MAA/GM
 REV. 12/17 MAA/THC

**DOCUMENT NOT CONSIDERED FINAL
 UNLESS ALL SIGNATURES COMPLETED**

ENGINEERS & PLANNERS & SCIENTISTS & CONSTRUCTION MANAGERS LICENSE NUMBER: C-0764
KCI Associates
 of North Carolina, P.A.
 4505 Falls of Neuse Road, Suite 400, Raleigh, NC 27609-4270 Phone: 919-783-9204

REVISIONS						SHEET NO. S4- 27
NO.	BY:	DATE:	NO.	BY:	DATE:	
1			3			TOTAL SHEETS 29
2			4			

\$FILES \$DATES \$TIME \$USERS \$PENTBL\$ \$PLTDYVS\$
 KCI PROJECT NO. 241704391.04