

0.6" Ø L. R. GRADE 270 STRANDS

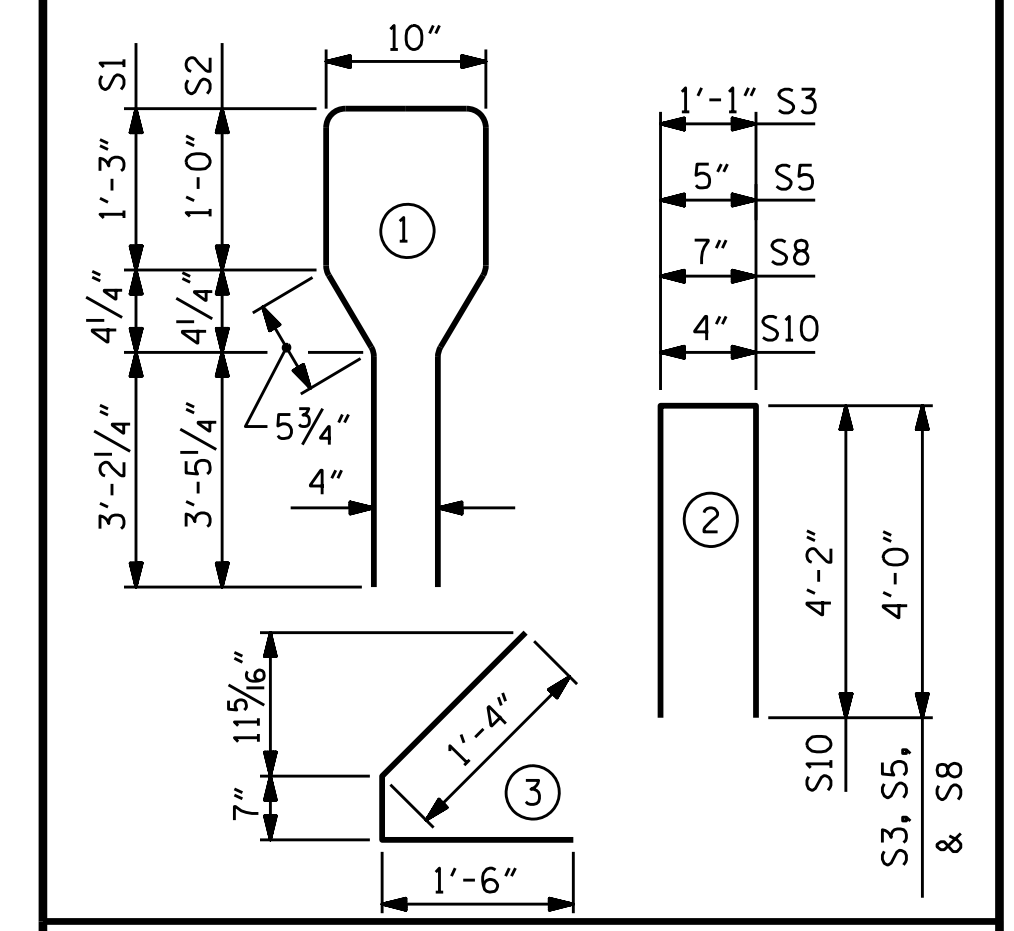
AREA (SQUARE INCHES)	ULTIMATE STRENGTH (LBS. PER STRAND)	APPLIED PRESTRESS (LBS. PER STRAND)
0.217	58,600	43,950

REINFORCING STEEL FOR ONE GIRDER

BAR	NUMBER	SIZE	TYPE	LENGTH	WEIGHT
S1	76	#4	1	10'-8"	542
S2	14	#6	1	10'-8"	224
S3	4	#4	2	9'-1"	24
S4	68	#4	3	3'-5"	155
S5	6	#4	2	8'-5"	34
* S7	18	#5	STR	3'-8"	69
S8	4	#4	2	8'-7"	23
S9	2	#3	STR	1'-10"	1
S10	2	#5	2	8'-8"	18
S11	5	#4	STR	7'-0"	23
S13	1	#3	STR	1'-4"	1

* NOTE: S7 BARS SHALL BE BENT BEFORE SHIPMENT. HEAT BENDING SHALL NOT BE ALLOWED.

BAR TYPES
ALL BAR DIMENSIONS ARE OUT-TO-OUT



- BOND SHALL BE BROKEN ON THESE STRANDS FOR A DISTANCE OF 4'-0" FROM END OF GIRDER. SEE STANDARD SPECIFICATIONS, ARTICLE 1078-7.
- BOND SHALL BE BROKEN ON THESE STRANDS FOR A DISTANCE OF 10'-0" FROM END OF GIRDER. SEE STANDARD SPECIFICATIONS, ARTICLE 1078-7.
- ◆ BOND SHALL BE BROKEN ON THESE STRANDS FOR A DISTANCE OF 18'-0" FROM END OF GIRDER. SEE STANDARD SPECIFICATIONS, ARTICLE 1078-7.

DEBONDING LEGEND

QUANTITIES FOR ONE GIRDER

REINFORCING STEEL	6500 PSI CONCRETE	0.6" Ø L. R. STRANDS
LB.	C.Y.	No.
1114	19.0	38

GIRDERS REQUIRED

NUMBER	LENGTH	TOTAL LENGTH
5	93'-9"	468'-9"

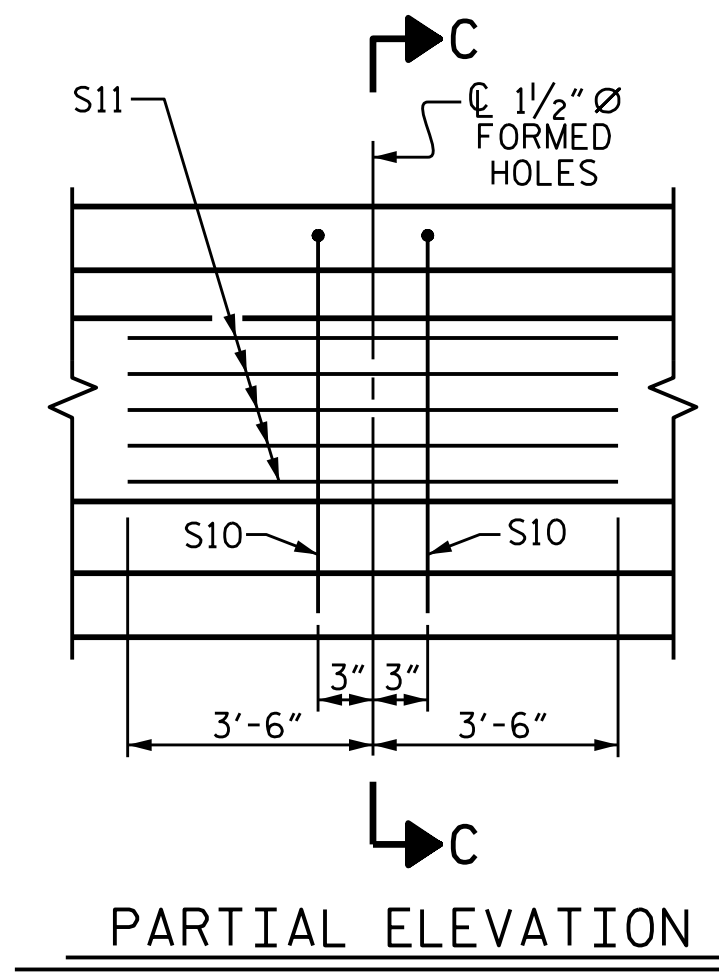
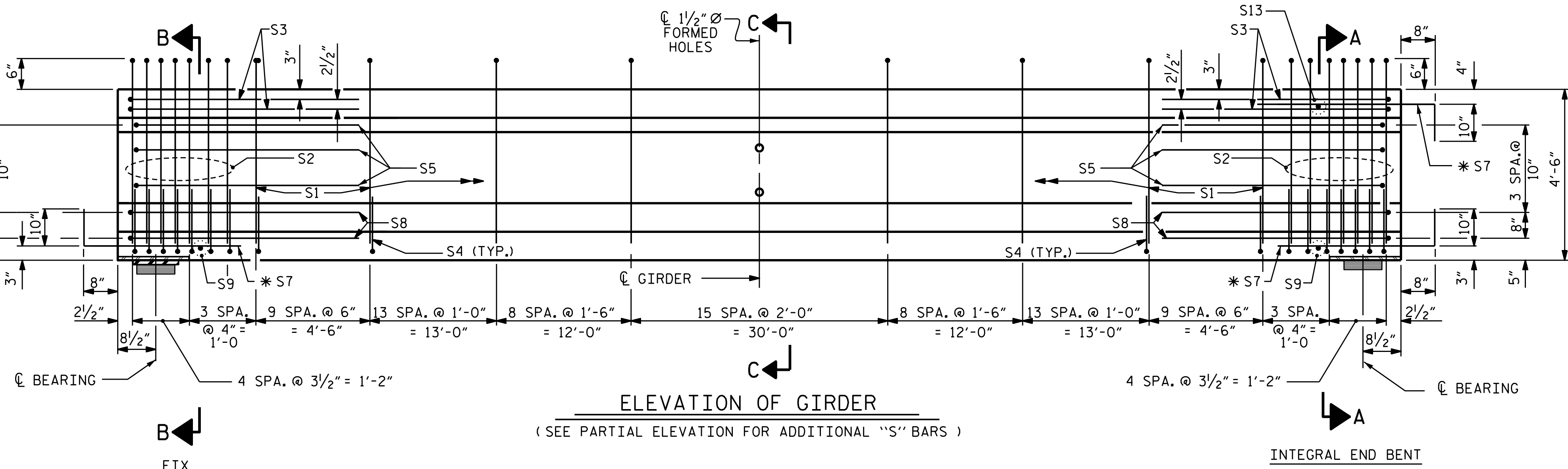
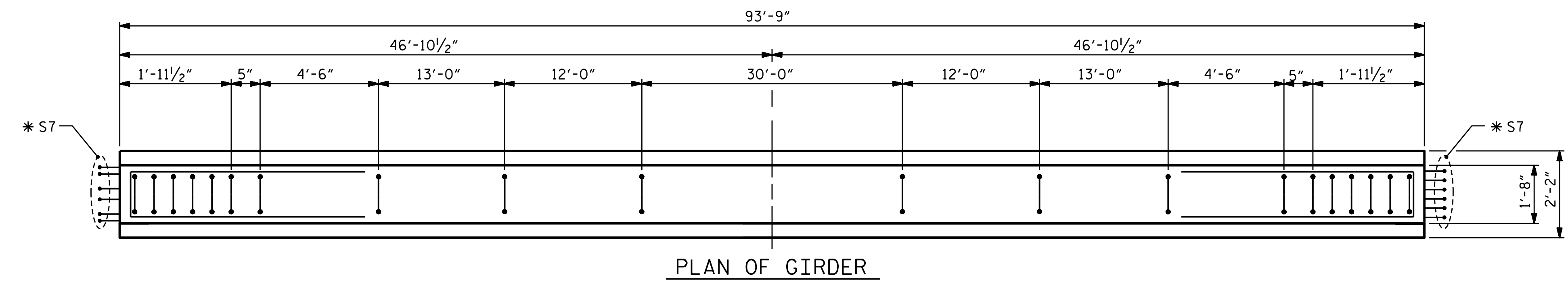
PROJECT NO. R-2561CA
COLUMBUS COUNTY
 STATION: 71+06.00 -L-

SHEET 2 OF 3

STATE OF NORTH CAROLINA
 DEPARTMENT OF TRANSPORTATION
 RALEIGH

STANDARD
 AASHTO TYPE IV
 PRESTRESSED CONCRETE GIRDER
 CONTINUOUS FOR LIVE LOAD
 SPAN B
 RIGHT LANE

REVISIONS						SHEET NO.
NO.	BY:	DATE:	NO.	BY:	DATE:	S4-11
1			3			TOTAL SHEETS 29
2			4			



SHOWING INTERMEDIATE DIAPHRAGM REINFORCING STEEL FOR ALL GIRDERS

DESIGN ENGINEER OF RECORD: [Signature] DATE: 8/15/2022

ASSEMBLED BY: A. K. ALLANKI DATE: 08/22/19
 CHECKED BY: R. C. LARSON DATE: 04/23/20

DRAWN BY: ELR 8/91 MAA/GM
 CHECKED BY: GRP 8/91 REV. 1/15 MAA/TMG
 REV. 12/17 MAA/THC

**DOCUMENT NOT CONSIDERED FINAL
 UNLESS ALL SIGNATURES COMPLETED**

DocuSigned by:
[Signature]
 DB3C8E45B06D49...
 8/15/2022

SEAL
 14114
 ENGINEER
 ROBERT C. LARSON

\$FILEL\$ \$DATES\$ \$TIME\$ \$USERS\$ \$PLTDYVS\$ \$PENTBLS\$ \$PROJECT NO. 241704391.04