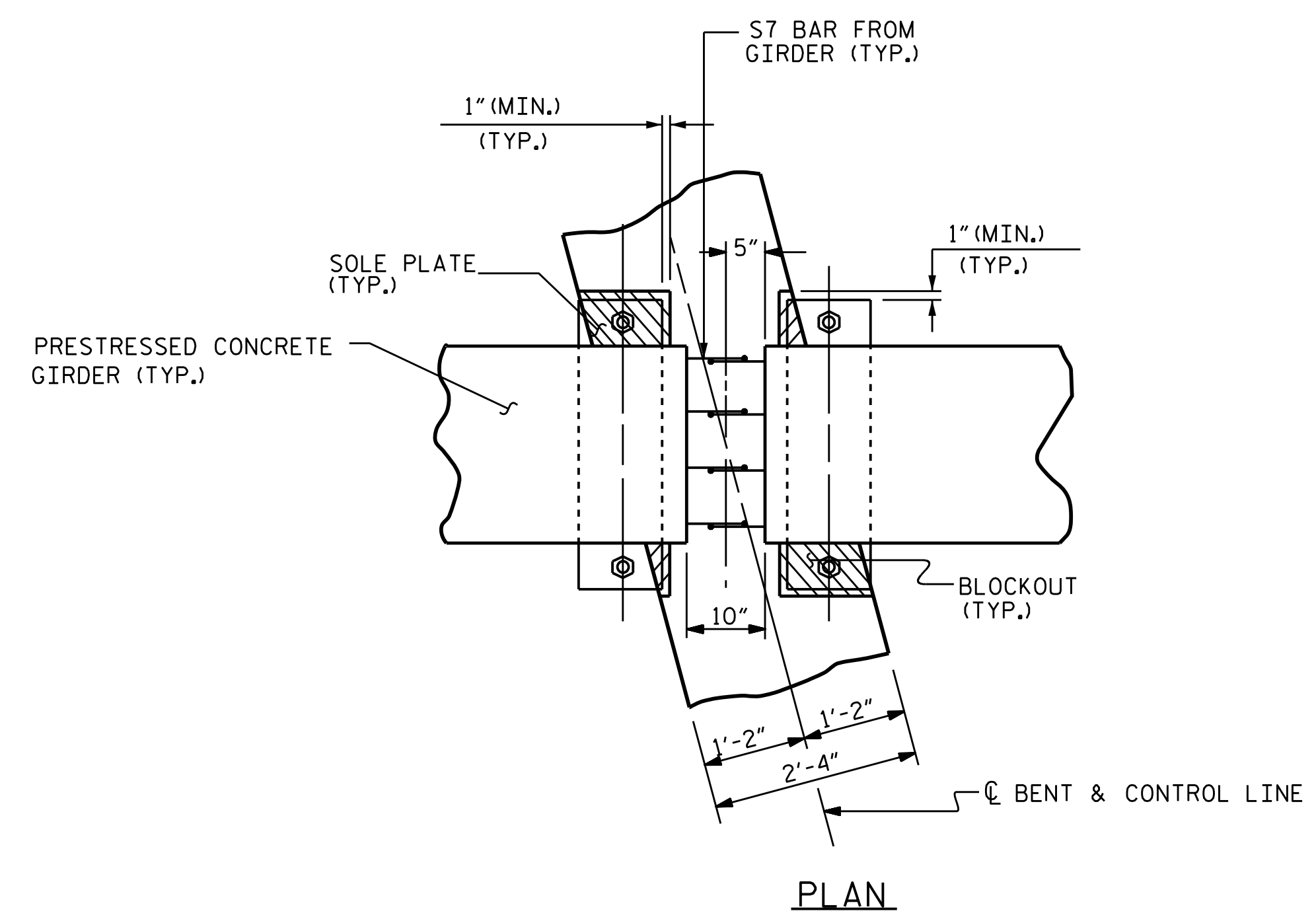
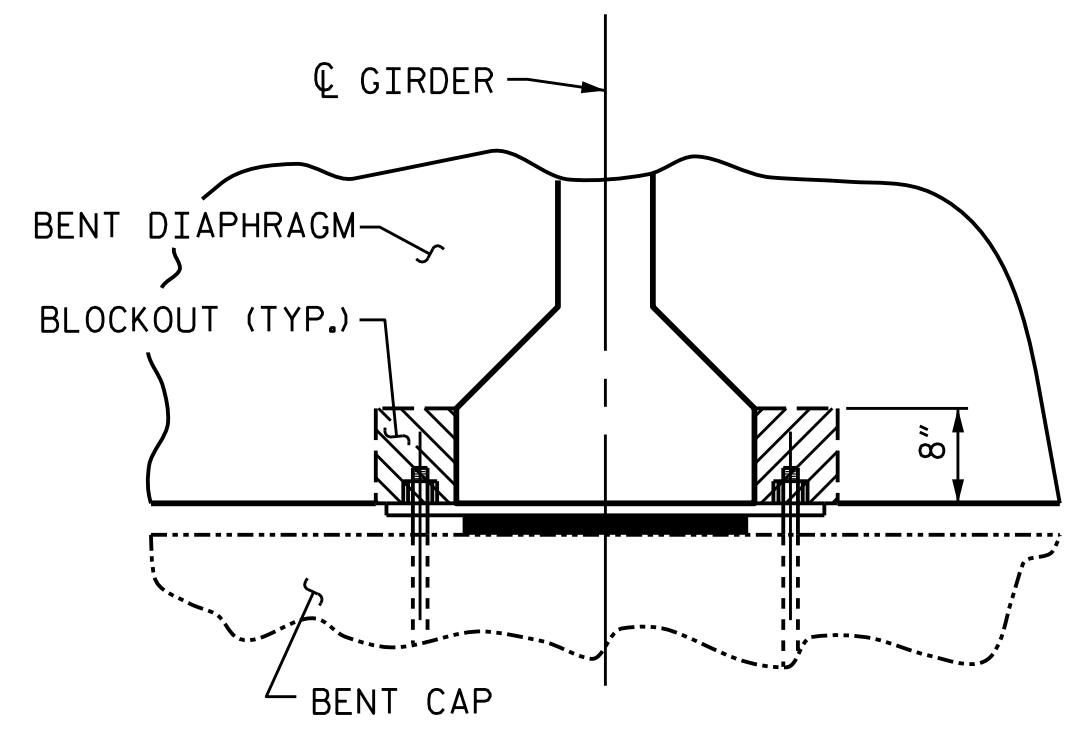


TYPICAL SECTION AT BENT DIAPHRAGM

- INDICATES CONTINUOUS REINFORCING
- INDICATES ADDITIONAL REINFORCING OVER BENT



BENT DIAPHRAGM BLOCKOUT DETAIL



SECTION

PROJECT NO. R-256ICA
COLUMBUS COUNTY
 STATION: 71+06.00 -L-

SHEET 2 OF 3

STATE OF NORTH CAROLINA
 DEPARTMENT OF TRANSPORTATION
 RALEIGH

**SUPERSTRUCTURE
 TYPICAL SECTION**

RIGHT LANE

DocuSigned by:

 DB3CB8E45B06D
 8/15/2022

DESIGN ENGINEER OF RECORD: DATE: 8/15/2022
 DRAWN BY: A. K. ALLANKI DATE: 08/13/19
 CHECKED BY: R. C. LARSON DATE: 06/29/20

**DOCUMENT NOT CONSIDERED FINAL
 UNLESS ALL SIGNATURES COMPLETED**

ENGINEERS & PLANNERS & SCIENTISTS & CONSTRUCTION MANAGERS LICENSE NUMBER: C-0764
KCI Associates
 of North Carolina, P.A.
 4505 Falls of Neuse Road, Suite 400 Raleigh, NC 27609-6270 Phone: (919) 785-9241

REVISIONS		SHEET NO.	
NO.	DATE	NO.	DATE
1		3	
2		4	

TOTAL SHEETS: 29

\$FILEL\$ \$DATES\$ \$TIME\$ \$USERS\$ \$PENTBL\$ \$PLTDVVS\$ \$PROJECT NO. 241704391.04