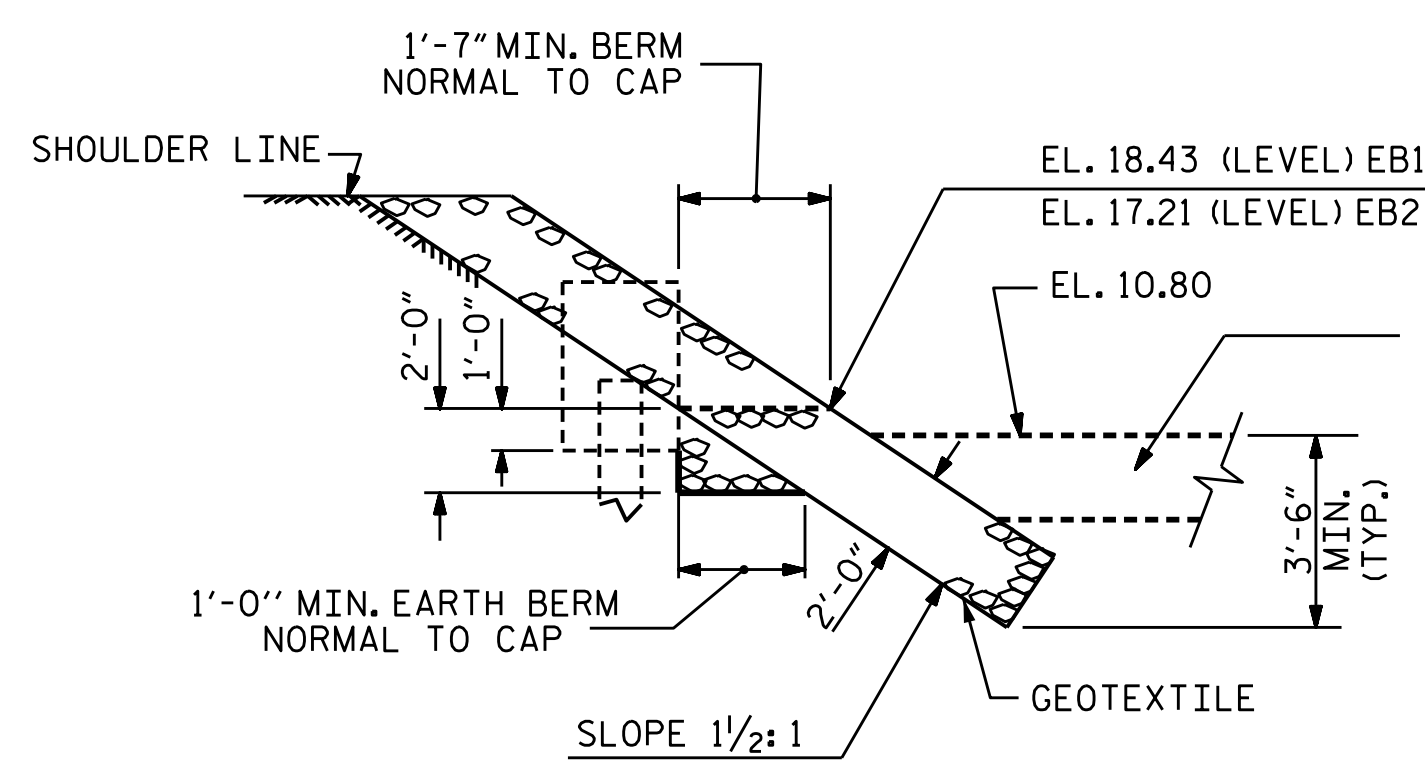
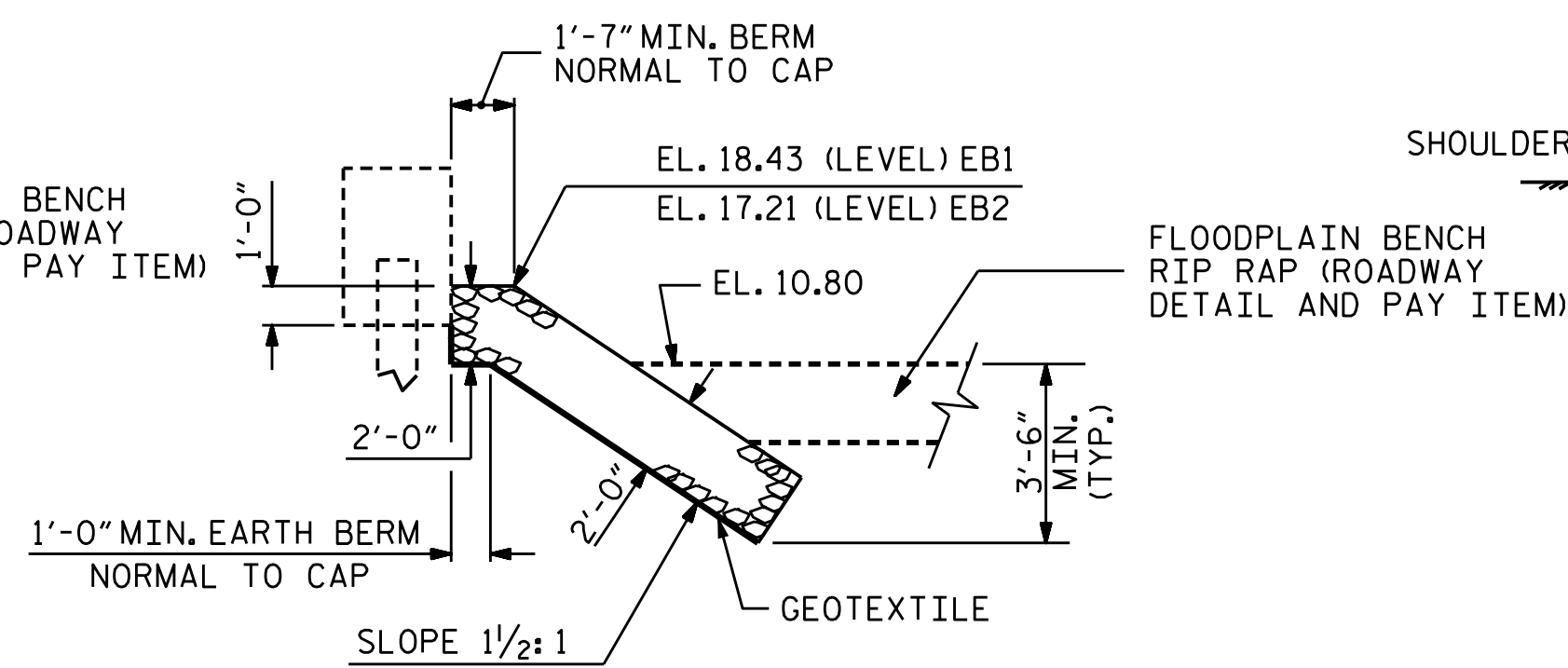


**BERM RIP RAPPED**

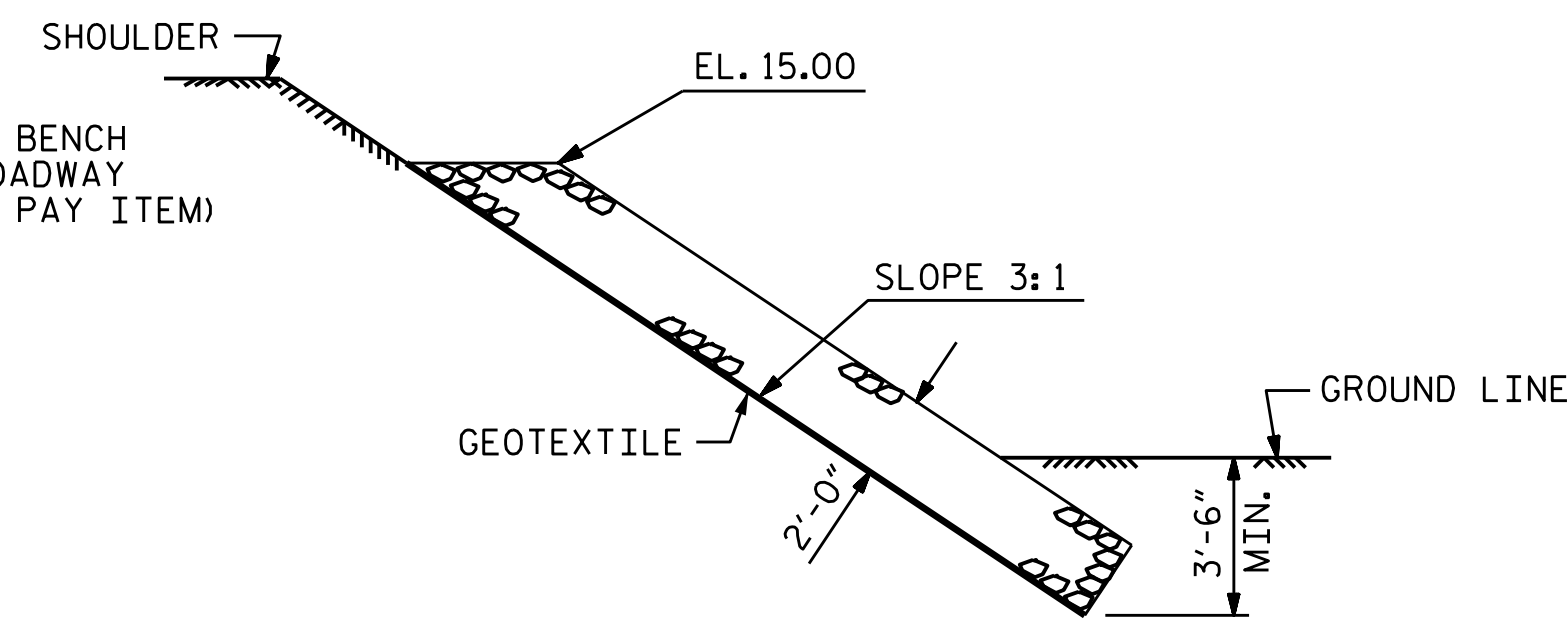
ESTIMATED QUANTITIES		
BRIDGE @ STA. 70+34.00 -L-	RIP RAP CLASS II (2'-0" THICK)	GEOTEXTILE FOR DRAINAGE
	TONS	SQUARE YARDS
END BENT 1	640	710
END BENT 2	325	360



**SECTION H-H**



**SECTION  
C-C  
BERM RIP RAPPED**



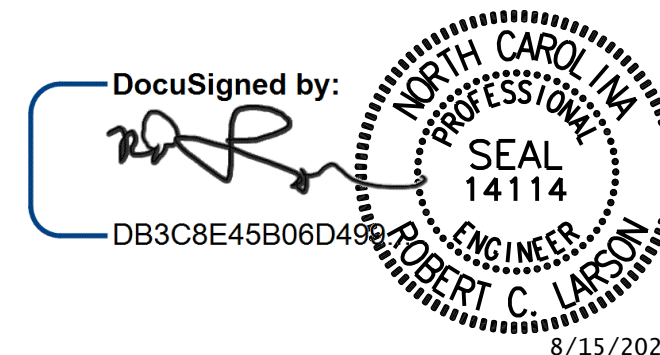
**SECTION C-C**

PROJECT NO. R-2561CA  
COLUMBUS COUNTY  
 STATION: 70+34.00 -L-

STATE OF NORTH CAROLINA  
 DEPARTMENT OF TRANSPORTATION  
 RALEIGH

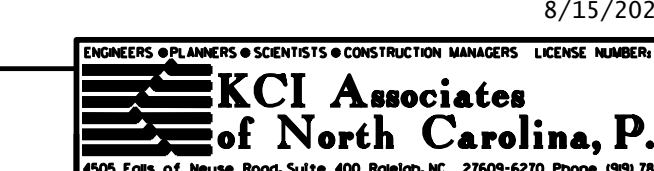
STANDARD  
 RIP RAP DETAILS

LEFT LANE



REVISIONS						SHEET NO. S3-28
NO.	BY:	DATE:	NO.	BY:	DATE:	
1			3			TOTAL SHEETS 30
2			4			

**DOCUMENT NOT CONSIDERED FINAL  
 UNLESS ALL SIGNATURES COMPLETED**



DESIGN ENGINEER OF RECORD:	DATE:
ASSEMBLED BY : A. K. ALLANK	DATE : 08/28/20
CHECKED BY : R. C. LARSON	DATE : 11/14/20
DRAWN BY : REK 1/84	REV. 10/1/11
CHECKED BY : RDU 1/84	REV. 12/21/11
	REV. 12/17
	MAA/GM
	MAA/GM
	MAA/THC