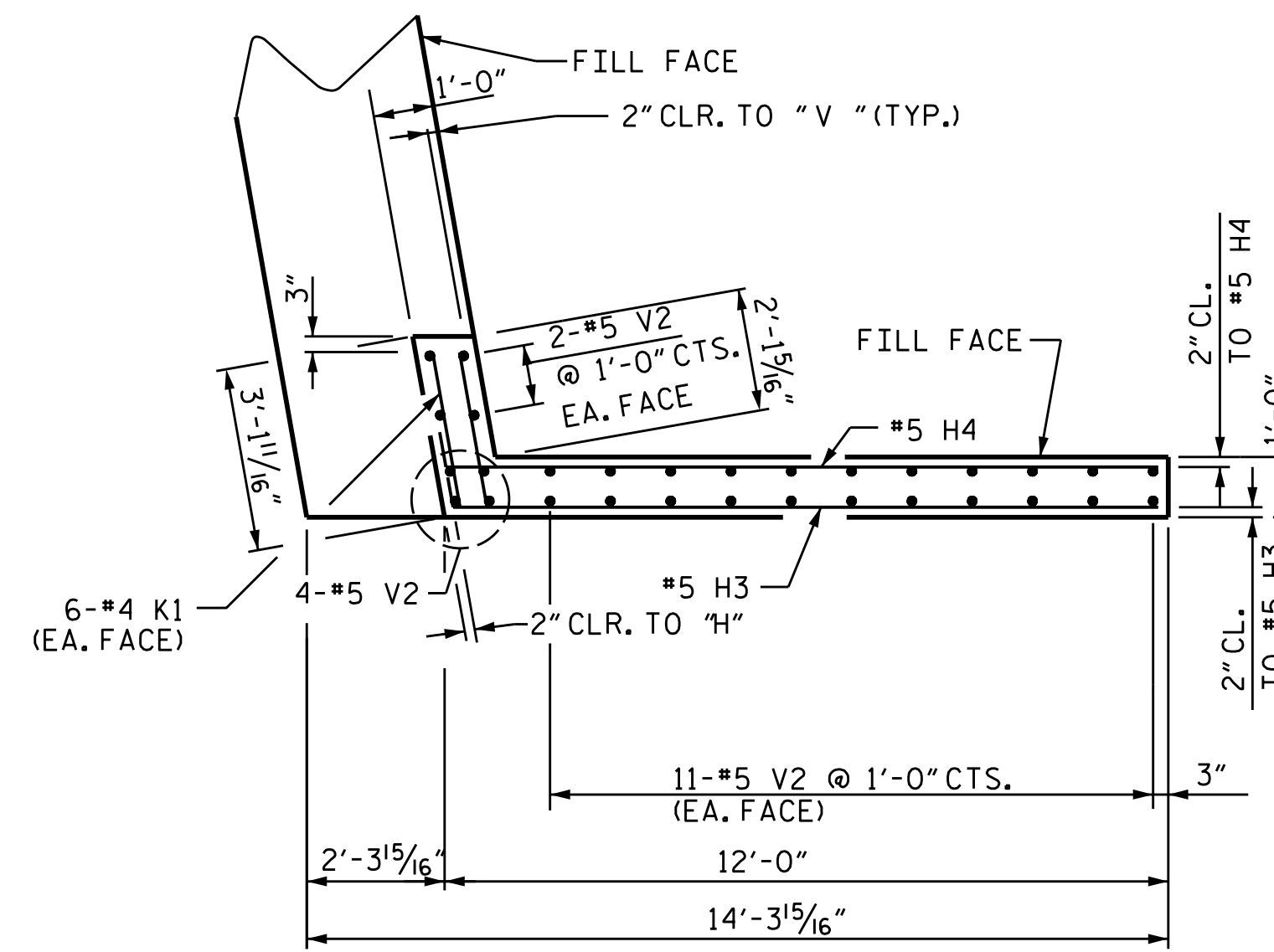
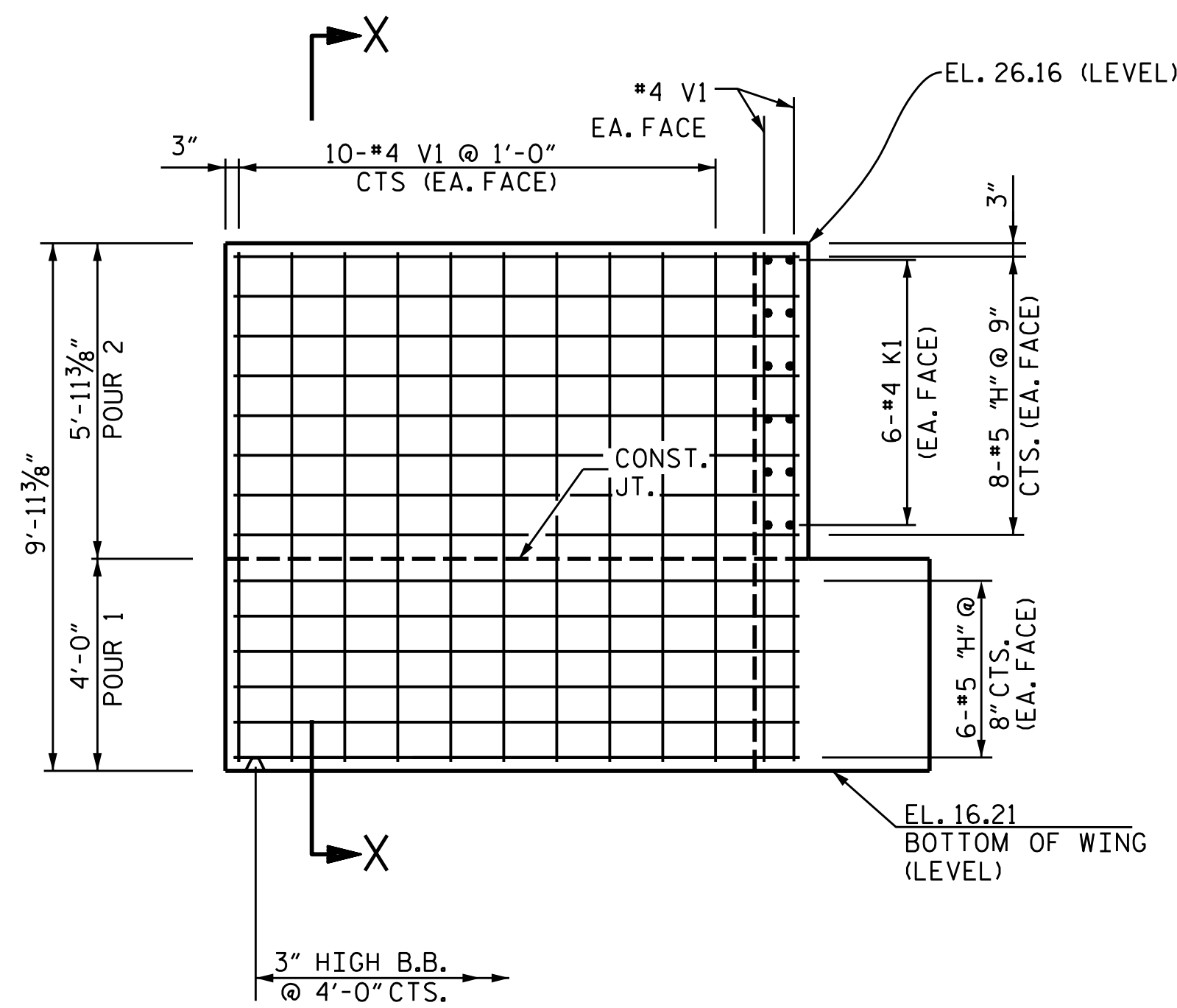


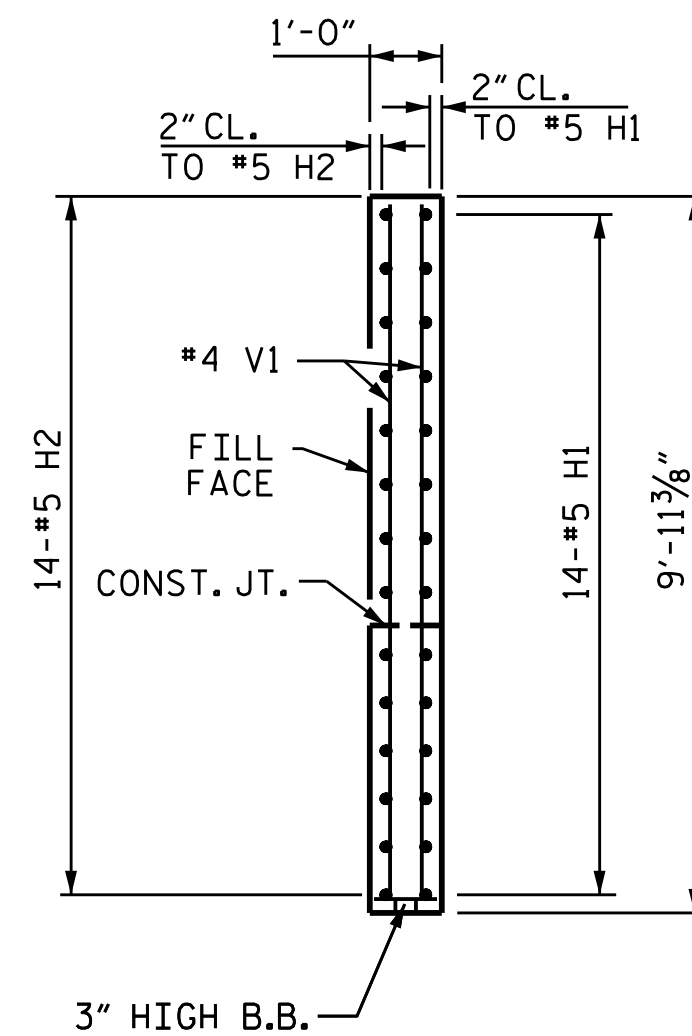
PLAN W1



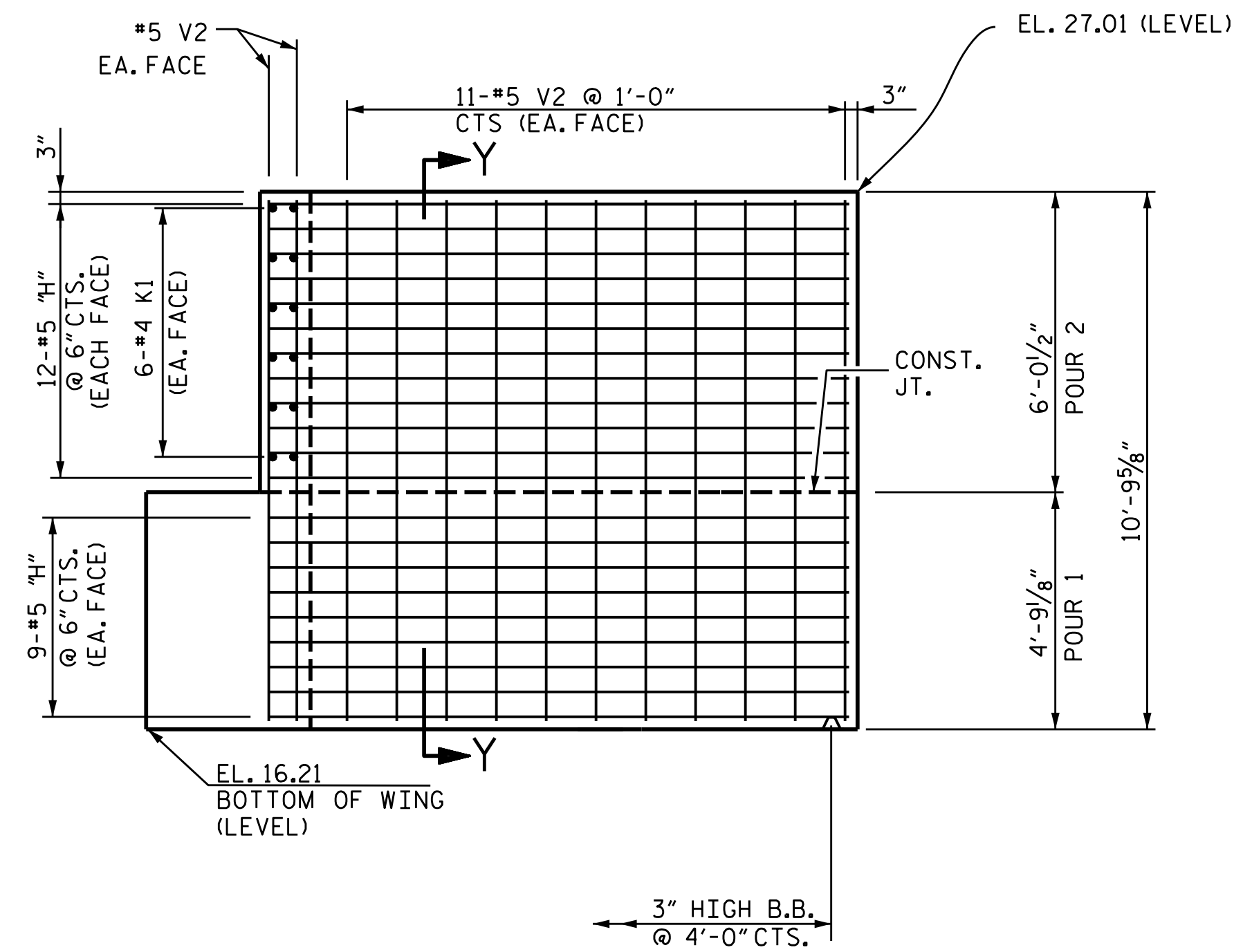
PLAN W2



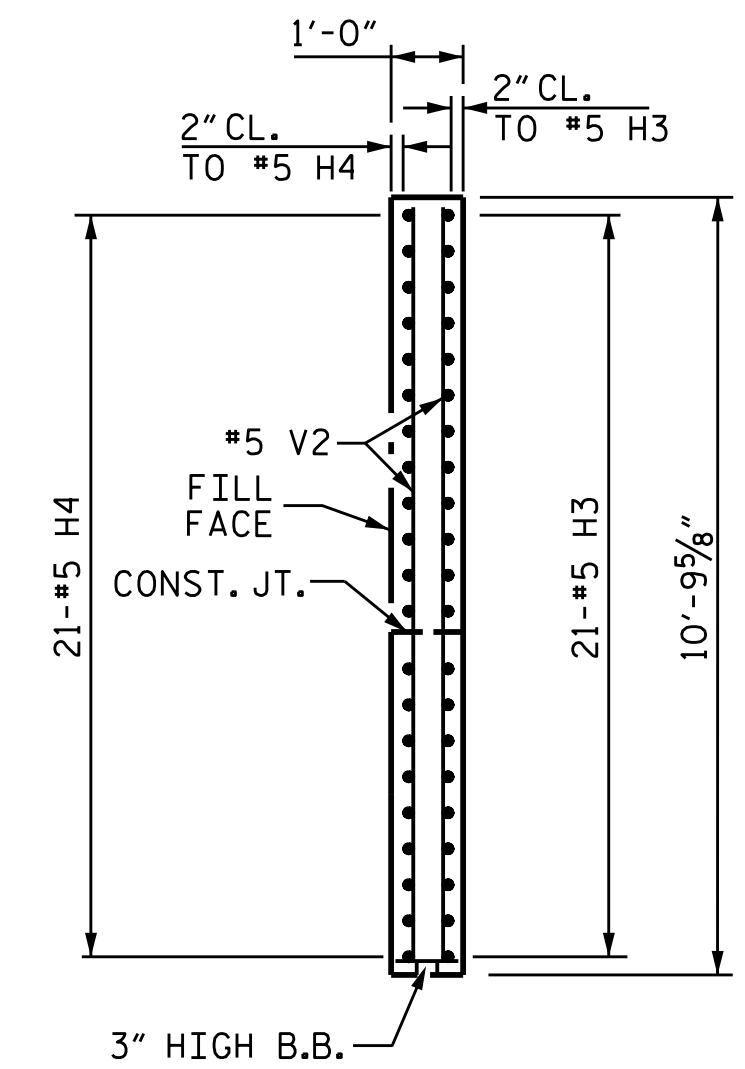
ELEVATION W1



SECTION X-X



ELEVATION W2



SECTION Y-Y

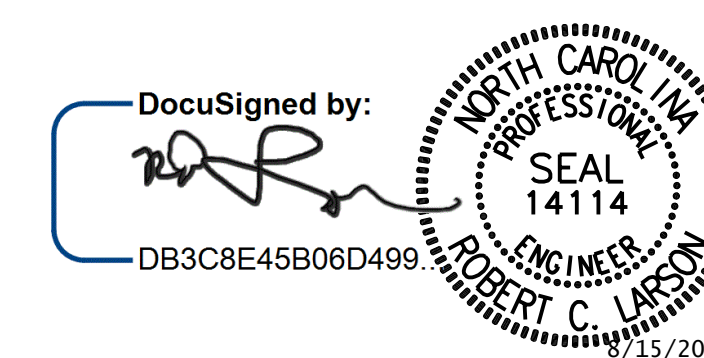
PROJECT NO. R-2561CA
COLUMBUS COUNTY
 STATION: 70+34.00 -L-

SHEET 2 OF 3

STATE OF NORTH CAROLINA
 DEPARTMENT OF TRANSPORTATION
 RALEIGH

SUBSTRUCTURE
 END BENT 2

LEFT LANE



DESIGN ENGINEER OF RECORD: [Signature] DATE: 8/15/2022
 DRAWN BY: A. K. ALLANKI DATE: 07/24/20
 CHECKED BY: R. C. LARSON DATE: 07/28/20

DOCUMENT NOT CONSIDERED FINAL
 UNLESS ALL SIGNATURES COMPLETED

KCI Associates
 of North Carolina, P.A.
 4505 Falls of Neuse Road, Suite 400 Raleigh, NC 27609-6270 Phone: 919-785-5244

REVISIONS				SHEET NO.	
NO.	BY:	DATE:	NO.	BY:	DATE:
1			3		
2			4		

TOTAL SHEETS: 30

\$FILEL\$ \$TIME\$ \$USERS\$ \$PENTBL\$ \$PLTDVRS\$
 \$DATES\$ KCI PROJECT NO. 241704391.04