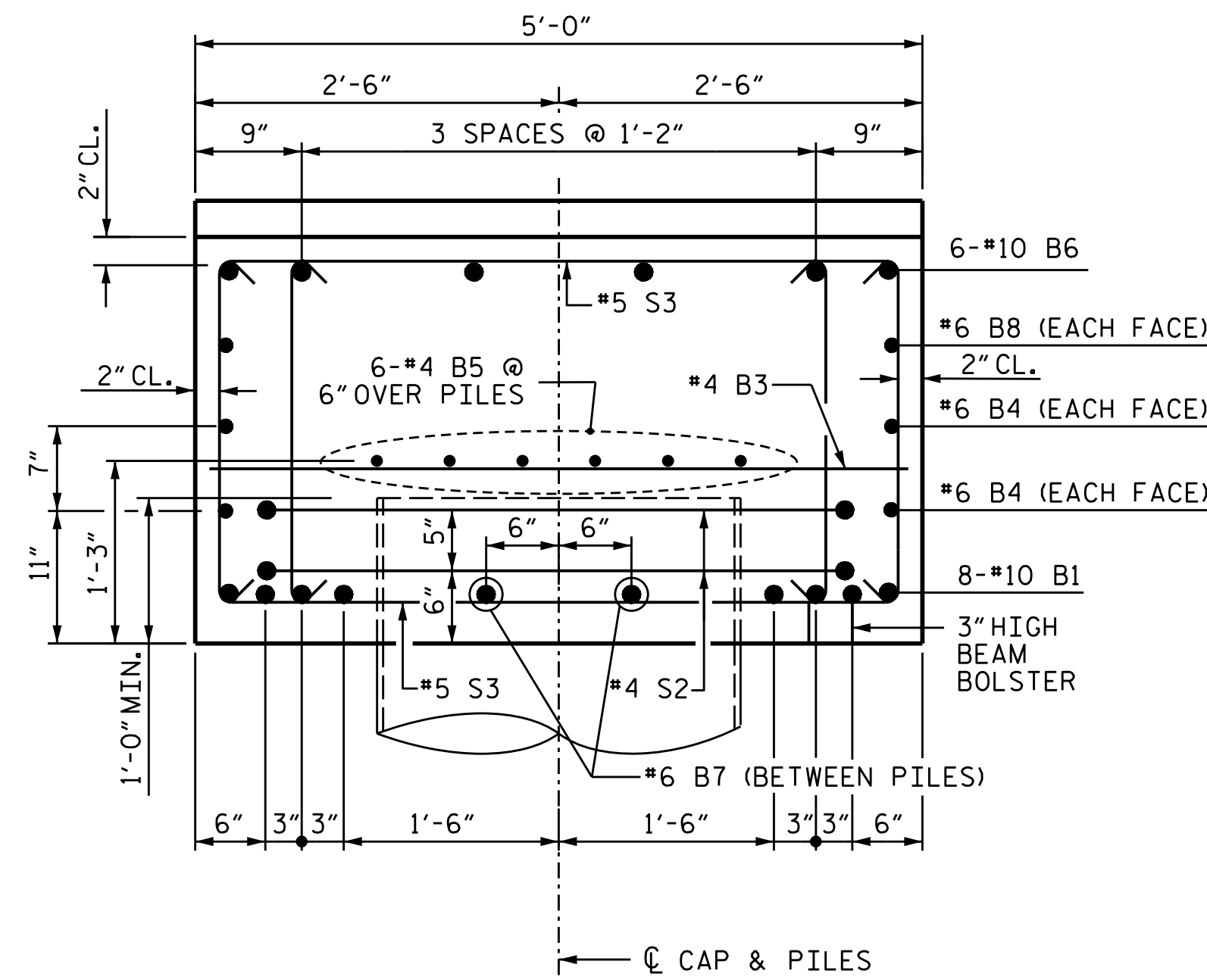
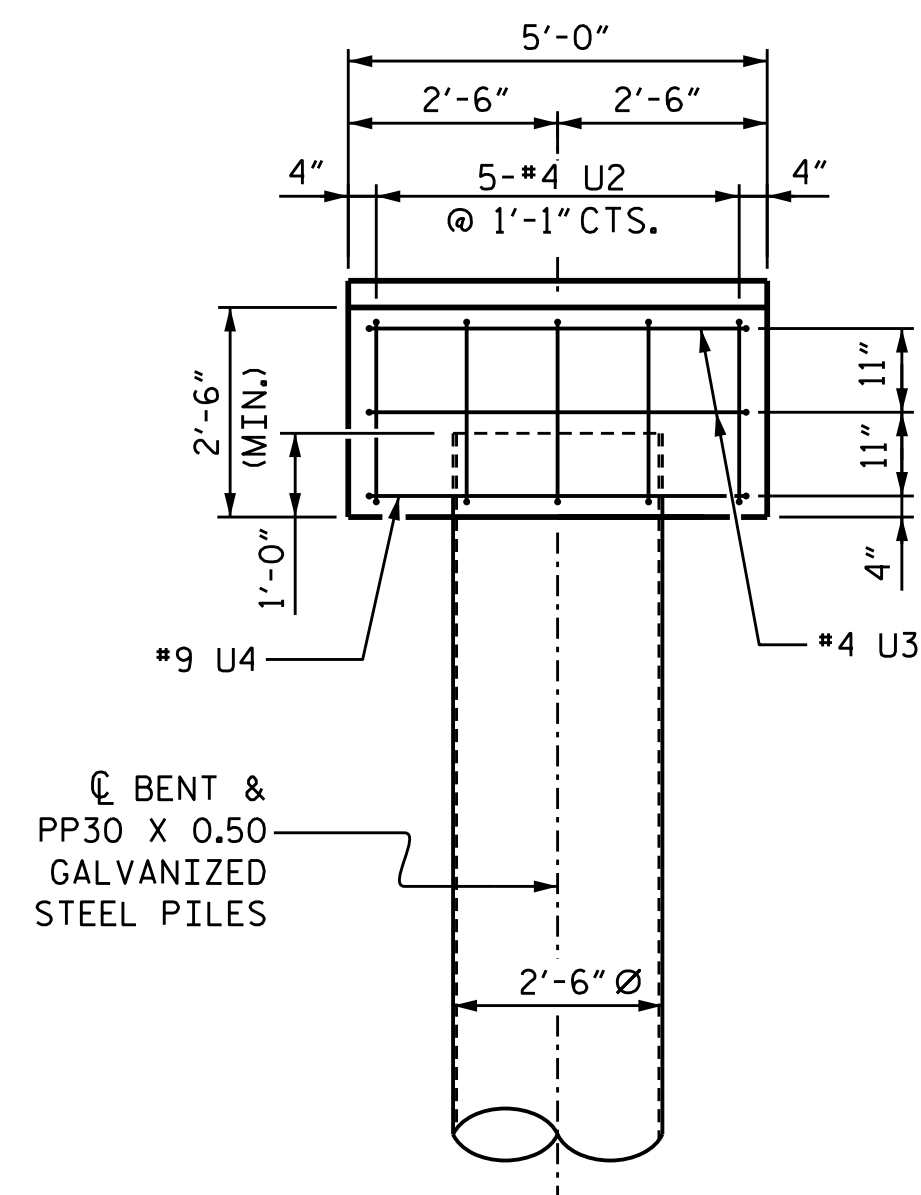


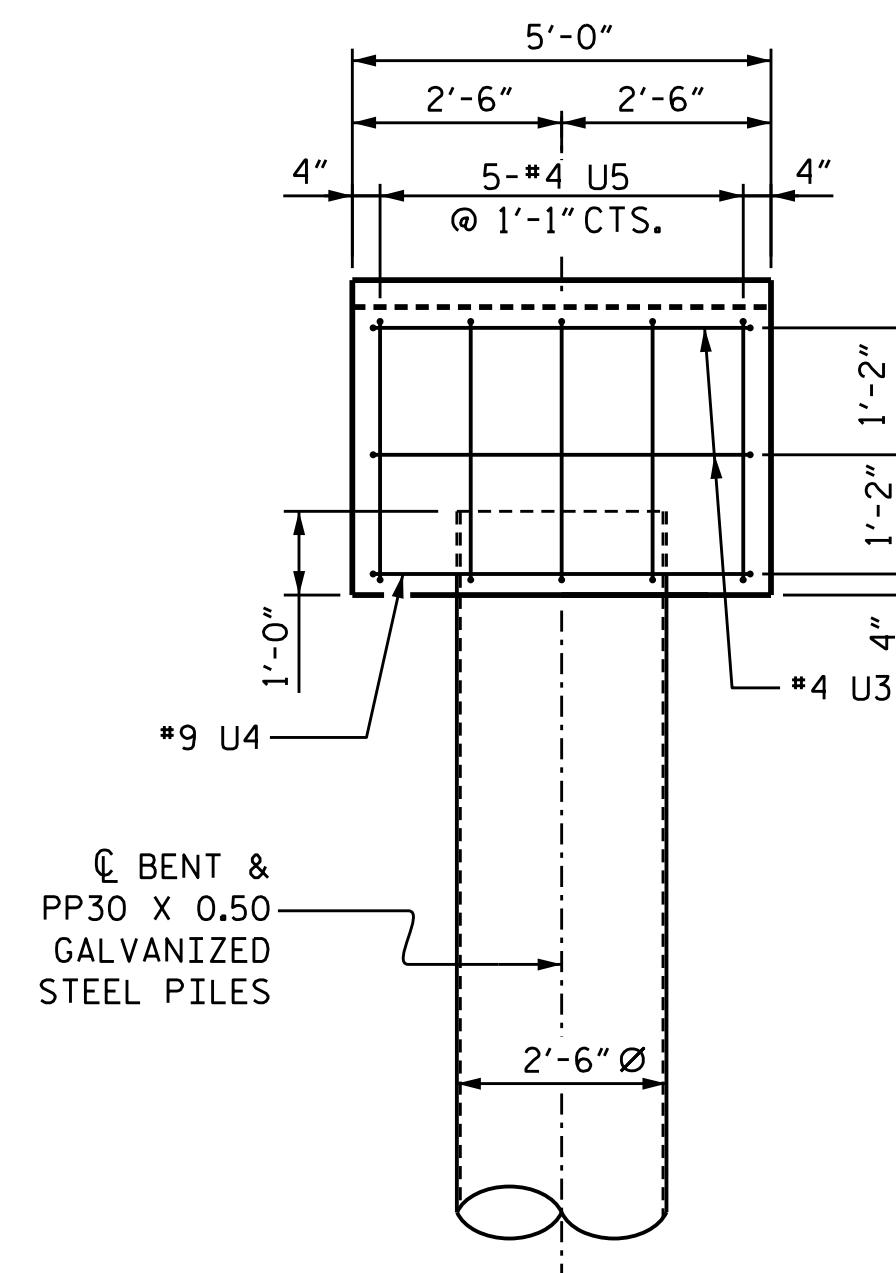
SECTION A-A



SECTION B-B

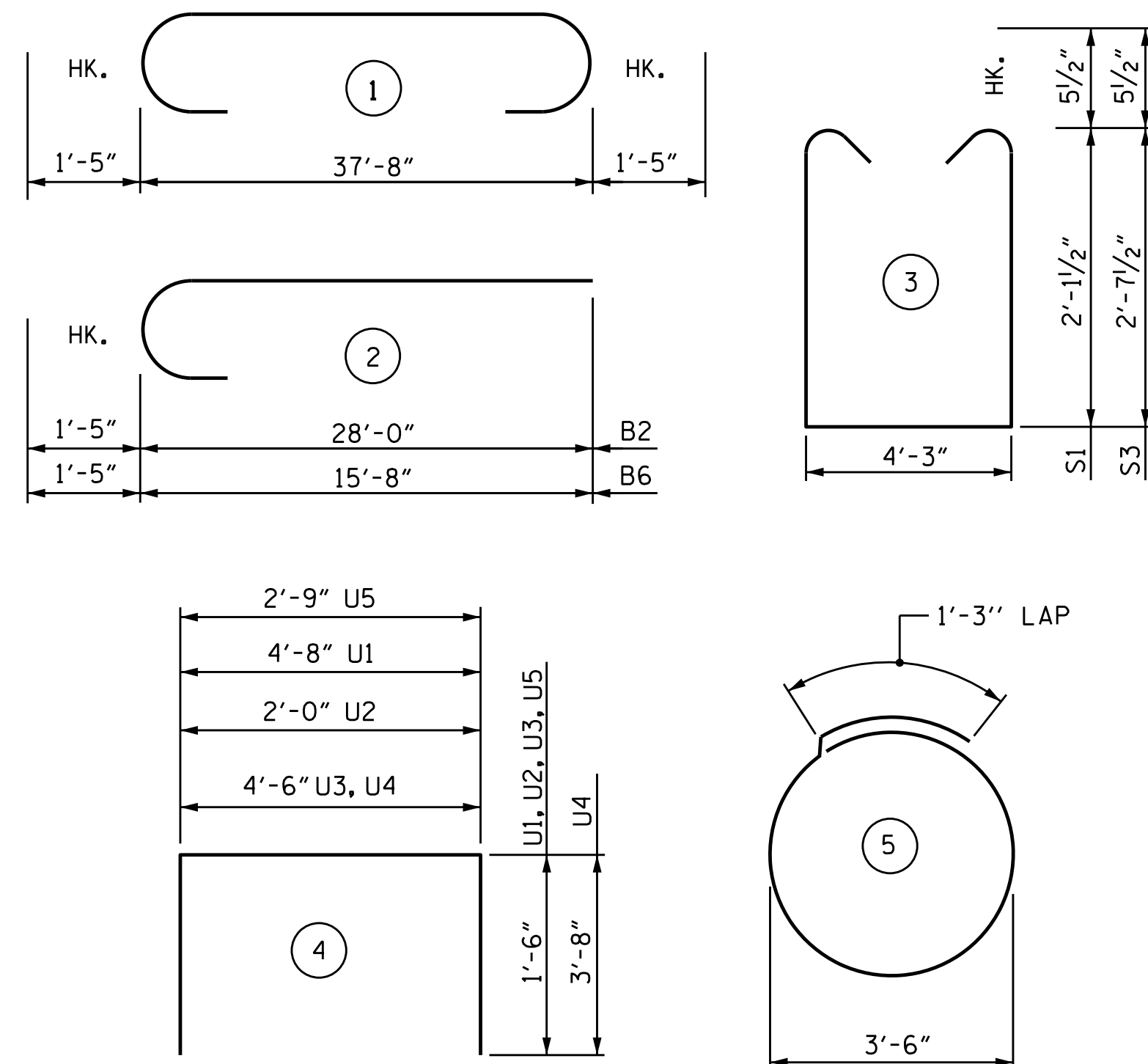


LEFT END ELEVATION



RIGHT END ELEVATION

BAR TYPES



ALL BAR DIMENSIONS ARE OUT TO OUT.

BILL OF MATERIAL

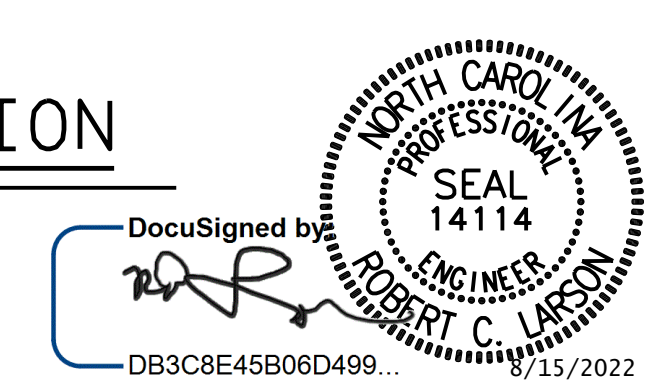
BENT 1 OR 2

BAR	NO.	SIZE	TYPE	LENGTH	WEIGHT
B1	8	10	1	40'-6"	1394
B2	6	10	2	29'-5"	759
B3	11	4	STR.	4'-8"	34
B4	4	6	STR.	37'-6"	225
B5	6	4	STR.	37'-6"	150
B6	6	10	2	17'-1"	441
B7	8	6	STR.	5'-7"	67
B8	2	6	STR.	13'-3"	40
S1	52	5	3	9'-5"	511
S2	10	4	5	12'-3"	82
S3	44	5	3	10'-5"	478
U1	28	4	4	7'-8"	143
U2	5	4	4	5'-0"	17
U3	4	4	4	7'-6"	20
U4	2	9	4	11'-10"	80
U5	5	4	4	5'-9"	19

REINFORCING STEEL, LBS.	4460
CLASS A CONCRETE, CU. YD.	19.1
PP 30 X 0.50 GALVANIZED STEEL PILES	
NO.	5
LIN. FT.	425
PILE DRIVING EQUIPMENT SETUP FOR PP 30 X 0.50 GALVANIZED STEEL PILES, EA.	5
PILE REDRIVES, EA.	3
(NOTE: PILE HEADS HAVE BEEN DEDUCTED FROM CLASS A CONCRETE)	

\$FILEL\$ \$DATES\$ \$TIME\$ \$USERS\$ \$PENTBLS\$ \$PLTDVRS\$
 KCI PROJECT NO. 241704391.04

DESIGN ENGINEER OF RECORD: DATE: 8/15/2022
 DRAWN BY: A. K. ALLANKI DATE: 06/04/20
 CHECKED BY: R. C. LARSON DATE: 06/26/20



PROJECT NO. R-2561CA
 COLUMBUS COUNTY
 STATION: 70+34.00 -L-

SHEET 2 OF 2
 STATE OF NORTH CAROLINA
 DEPARTMENT OF TRANSPORTATION
 RALEIGH
 SUBSTRUCTURE
 BENT 1 OR 2
 LEFT LANE

DOCUMENT NOT CONSIDERED FINAL UNLESS ALL SIGNATURES COMPLETED

KCI Associates
 of North Carolina, P.A.
 4505 Falls of House Road, Suite 400 Raleigh, NC 27609-6270 Phone: (919) 785-5241

NO.	BY:	DATE:	NO.	BY:	DATE:	SHEET NO.
1			3			S3-23
2			4			TOTAL SHEETS 30