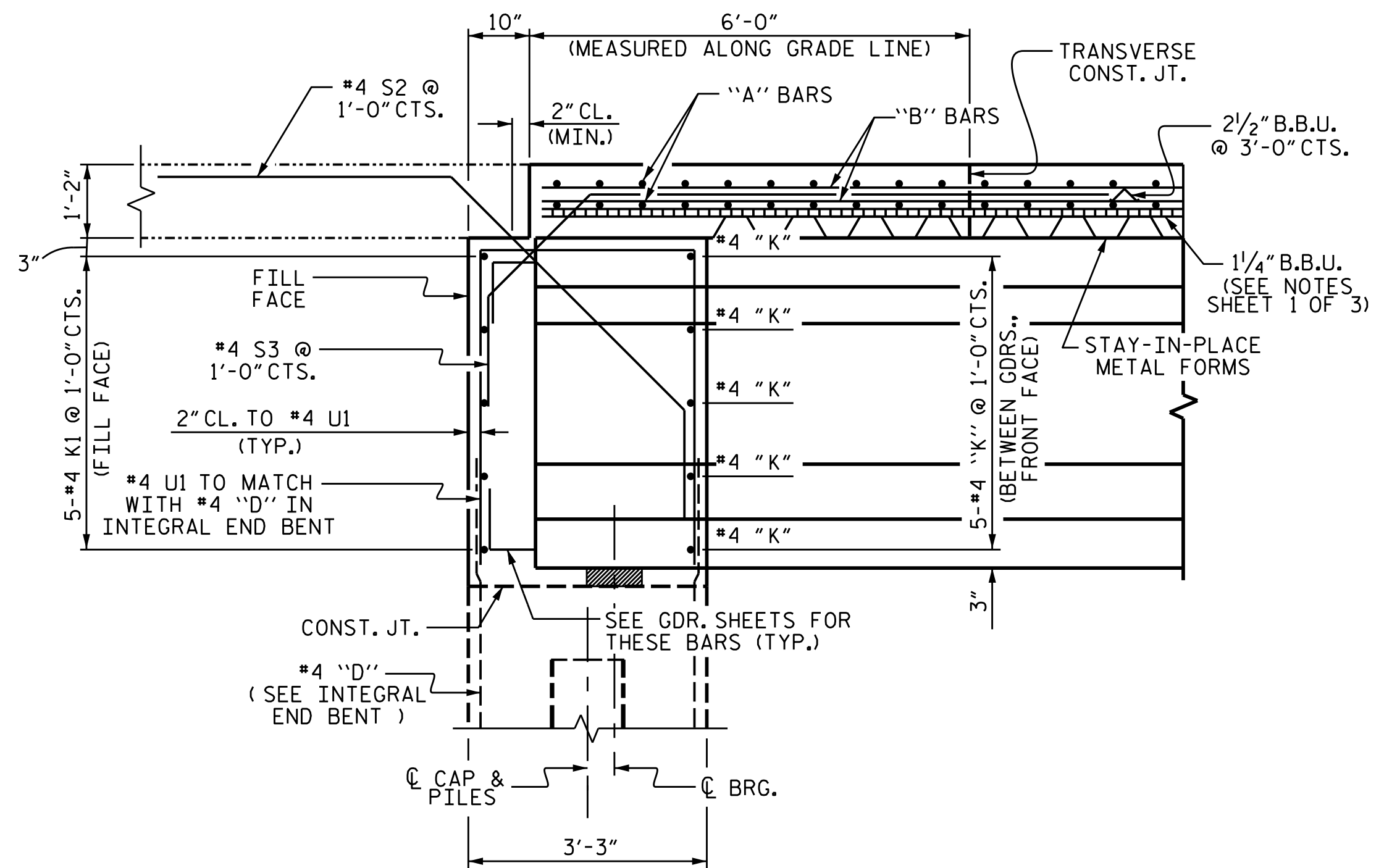
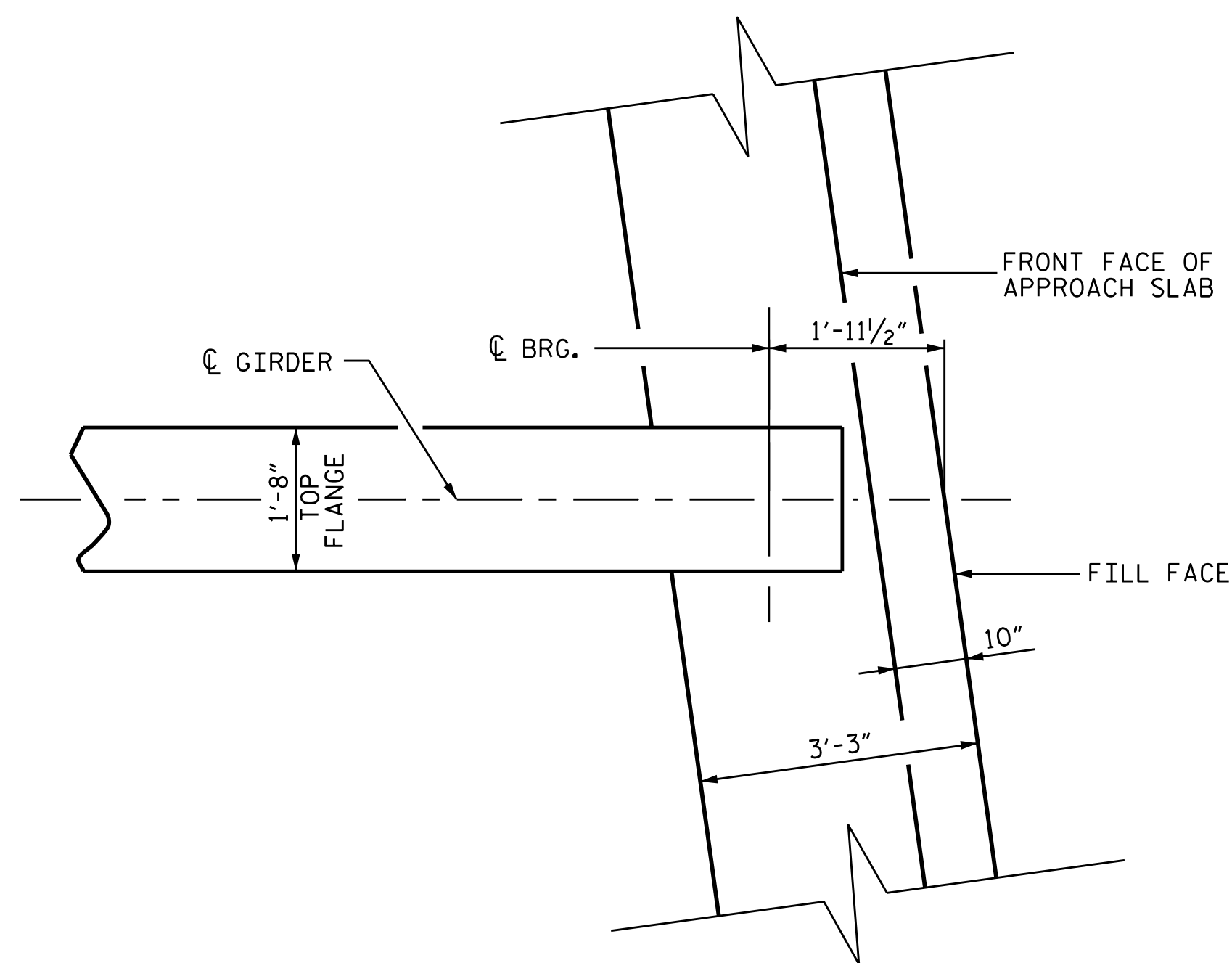


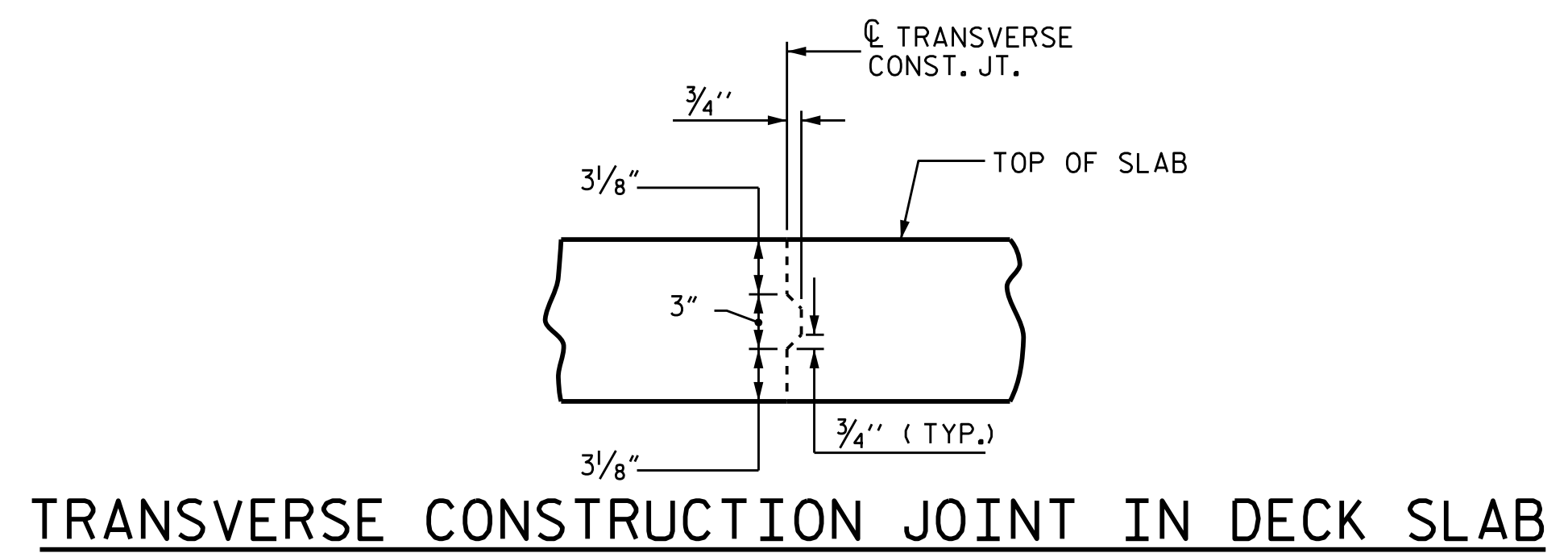
SECTION THRU BENT DIAPHRAGM



SECTION THRU INTEGRAL END BENT



PLAN OF GIRDER AT INTEGRAL END BENT



NOTE: REINFORCING STEEL IN SLAB NOT SHOWN. LONGITUDINAL REINFORCING STEEL SHALL BE CONTINUOUS THRU JOINT

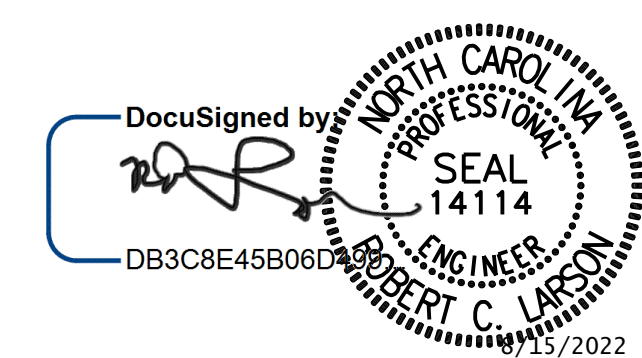
PROJECT NO. R-2561CA
COLUMBUS COUNTY
STATION: 70+34.00 -L-

SHEET 3 OF 3

STATE OF NORTH CAROLINA
DEPARTMENT OF TRANSPORTATION
RALEIGH

SUPERSTRUCTURE
TYPICAL SECTION

LEFT LANE



DESIGN ENGINEER OF RECORD:	DATE:
<i>[Signature]</i>	8/15/2022
DRAWN BY:	DATE:
A. K. ALLANKI	07/24/19
CHECKED BY:	DATE:
R. C. LARSON	06/16/20

DOCUMENT NOT CONSIDERED FINAL
UNLESS ALL SIGNATURES COMPLETED



REVISIONS		SHEET NO.
NO.	DATE:	S3-7
1		TOTAL SHEETS 30
2		

\$FILEL\$ \$DATES\$ \$TIME\$ \$USERS\$ \$PENTBLS\$ \$PLTDVRS\$ KCI PROJECT NO. 241704391.04