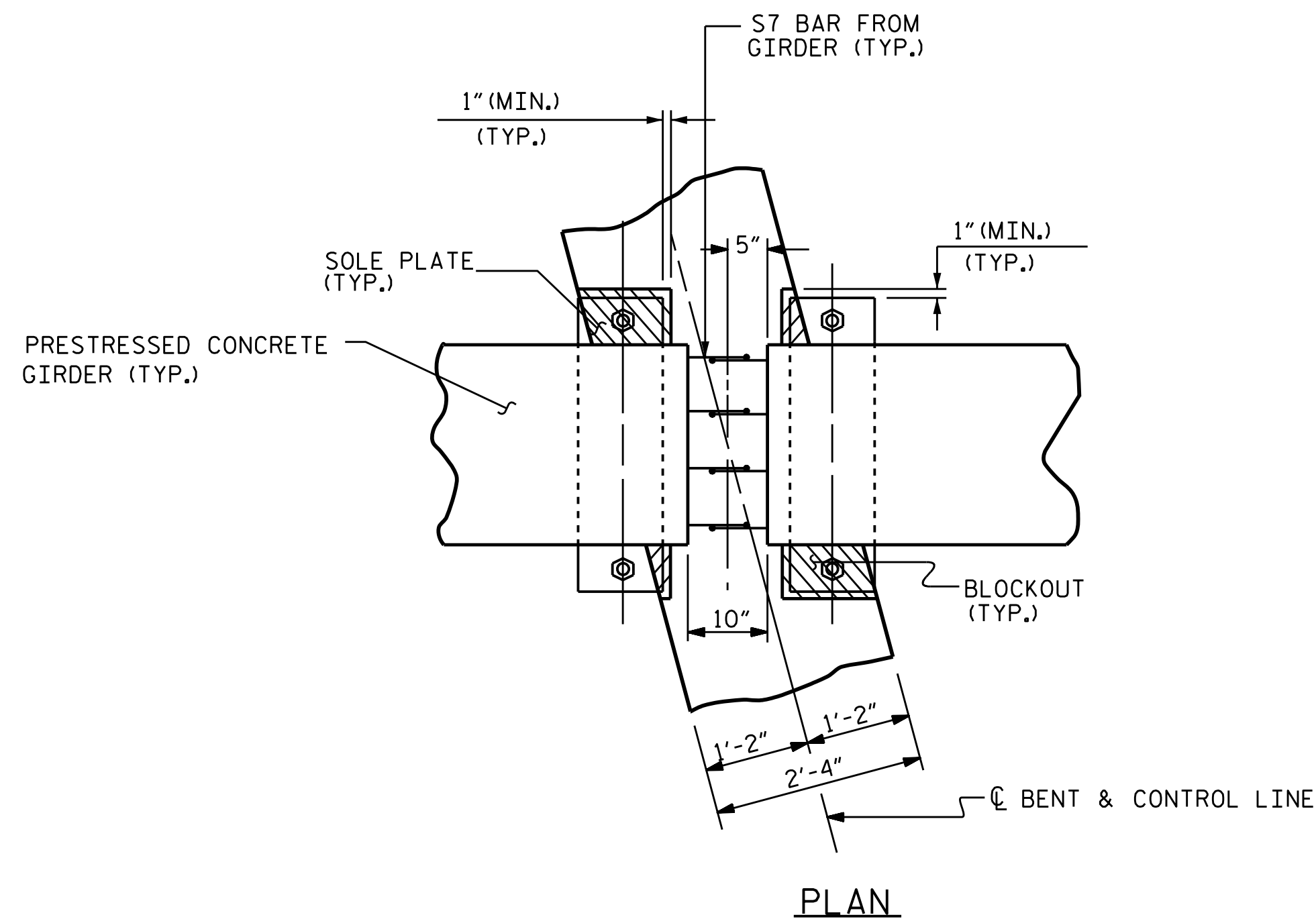
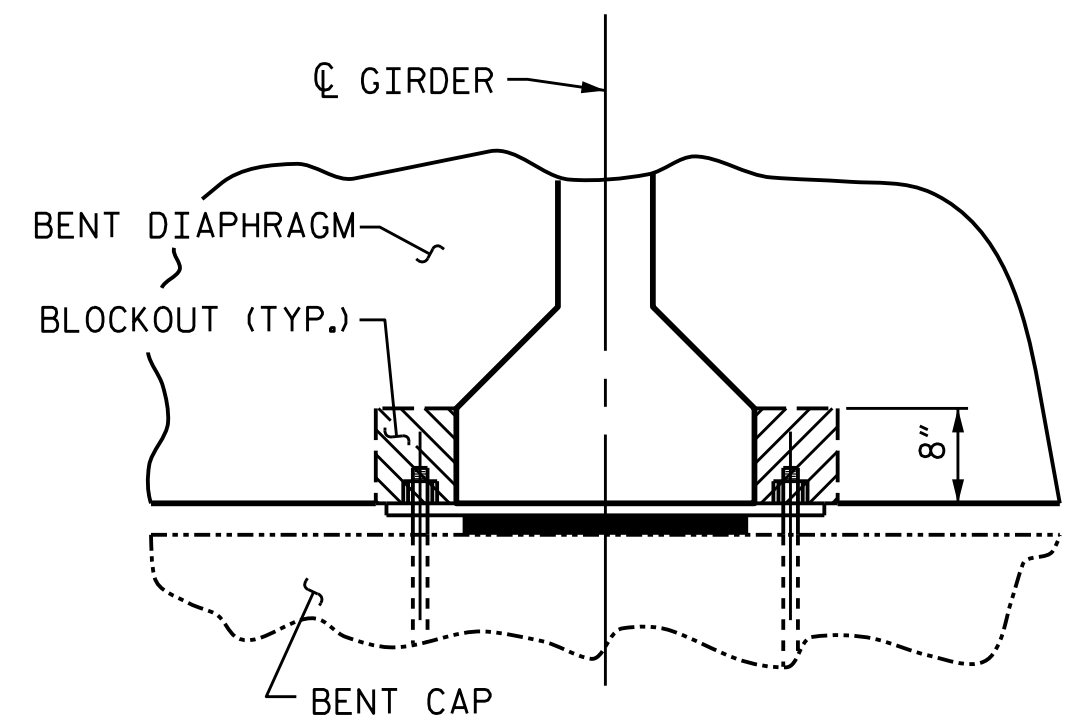


TYPICAL SECTION AT BENT DIAPHRAGM



BENT DIAPHRAGM BLOCKOUT DETAIL



SECTION

- INDICATES CONTINUOUS REINFORCING
- INDICATES ADDITIONAL REINFORCING OVER BENT

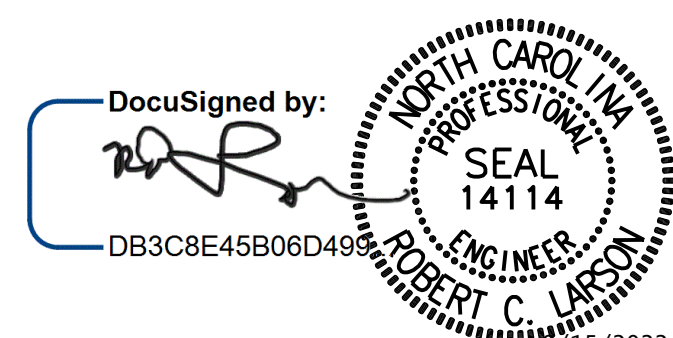
PROJECT NO. R-2561CA
COLUMBUS COUNTY
 STATION: 70+34.00 -L-

SHEET 2 OF 3

STATE OF NORTH CAROLINA
 DEPARTMENT OF TRANSPORTATION
 RALEIGH

**SUPERSTRUCTURE
 TYPICAL SECTION**

LEFT LANE



DESIGN ENGINEER OF RECORD	DATE
<i>[Signature]</i>	8/15/2022
DRAWN BY	DATE
A. K. ALLANKI	07/30/19
CHECKED BY	DATE
R. C. LARSON	06/16/20

**DOCUMENT NOT CONSIDERED FINAL
 UNLESS ALL SIGNATURES COMPLETED**



REVISIONS				SHEET NO.	
NO.	BY:	DATE:	NO.	BY:	DATE:
1			3		
2			4		

TOTAL SHEETS: 30

\$FILEL\$ \$DATES\$ \$TIME\$ \$USERS\$ \$PENTBL\$ \$PLTDV\$ \$S\$
 KCI PROJECT NO. 241704391.04