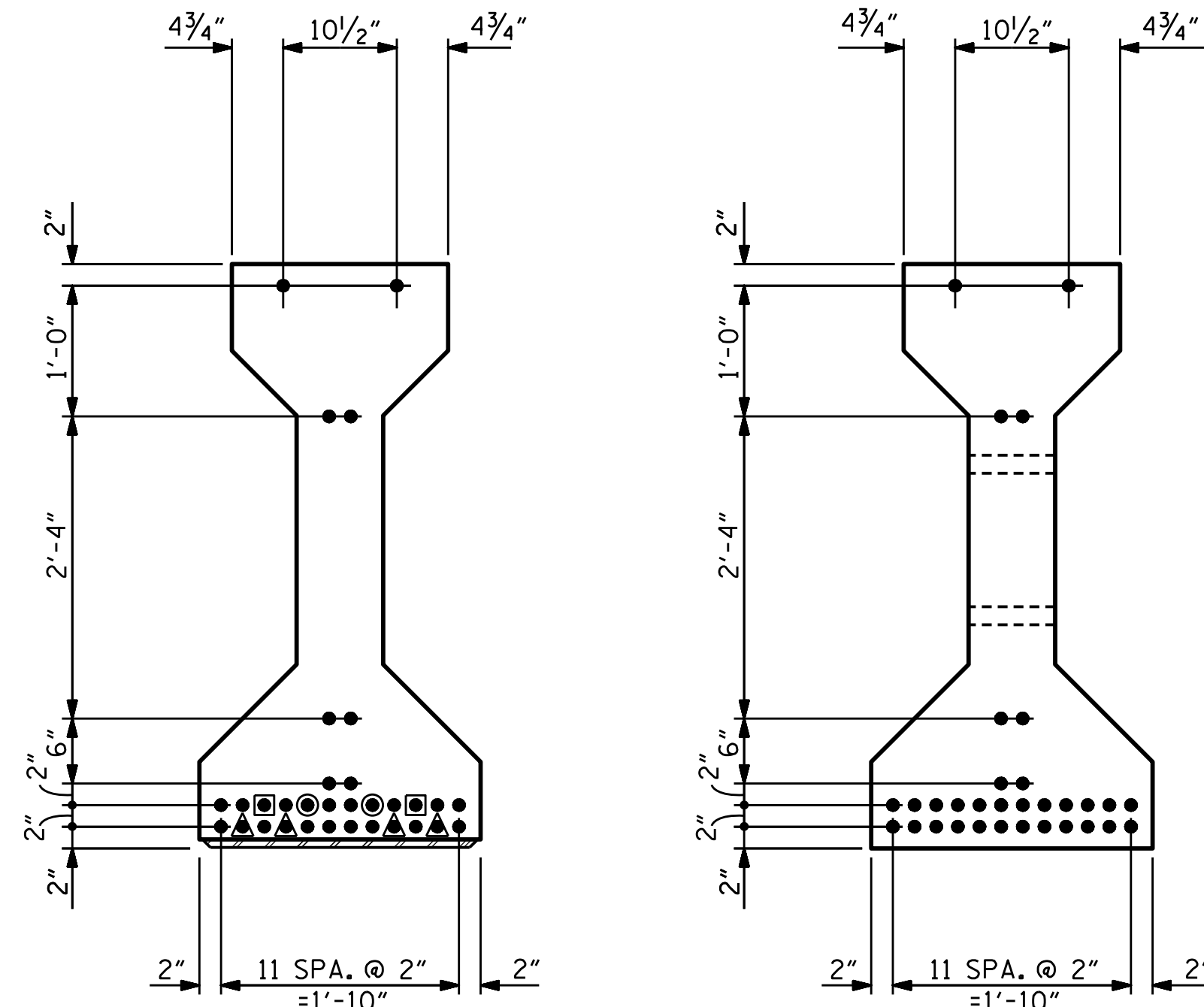


SECTION A-A

SECTION C-C
(S1 BARS NOT SHOWN)

- DEBONDING LEGEND**
- ▲ BOND SHALL BE BROKEN ON THESE STRANDS FOR A DISTANCE OF 4'-0" FROM END OF GIRDER. SEE STANDARD SPECIFICATIONS, ARTICLE 1078-7.
 - BOND SHALL BE BROKEN ON THESE STRANDS FOR A DISTANCE OF 8'-0" FROM END OF GIRDER. SEE STANDARD SPECIFICATIONS, ARTICLE 1078-7.
 - BOND SHALL BE BROKEN ON THESE STRANDS FOR A DISTANCE OF 18'-0" FROM END OF GIRDER. SEE STANDARD SPECIFICATIONS, ARTICLE 1078-7.



AT END OF GIRDER

AT C/L OF GIRDER

0.6" Ø LOW RELAXATION STRAND LAYOUT

0.6" Ø L. R. GRADE 270 STRANDS

AREA (SQUARE INCHES)	ULTIMATE STRENGTH (LBS. PER STRAND)	APPLIED PRESTRESS (LBS. PER STRAND)
0.217	58,600	43,950

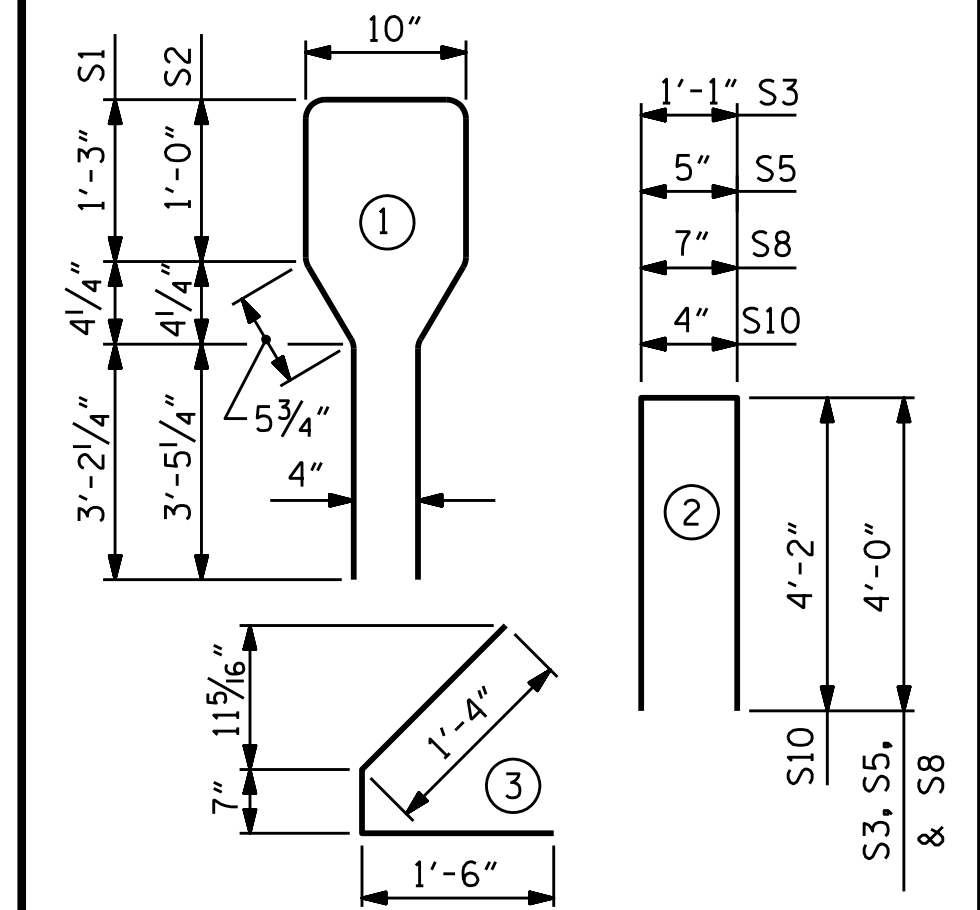
REINFORCING STEEL FOR ONE GIRDER

BAR	NUMBER	SIZE	TYPE	LENGTH	WEIGHT
S1	72	#4	1	10'-8"	513
S2	12	#6	1	10'-8"	192
S3	4	#4	2	9'-1"	24
S4	64	#4	3	3'-5"	146
S5	6	#4	2	8'-5"	34
* S7	24	#5	STR	3'-8"	92
S8	4	#4	2	8'-7"	23
S9	2	#3	STR	1'-10"	1
S10	2	#5	2	8'-8"	18
S11	5	#4	STR	7'-0"	23
S13	2	#3	STR	1'-4"	1

* NOTE: S7 BARS SHALL BE BENT BEFORE SHIPMENT. HEAT BENDING SHALL NOT BE ALLOWED.

BAR TYPES

ALL BAR DIMENSIONS ARE OUT-TO-OUT

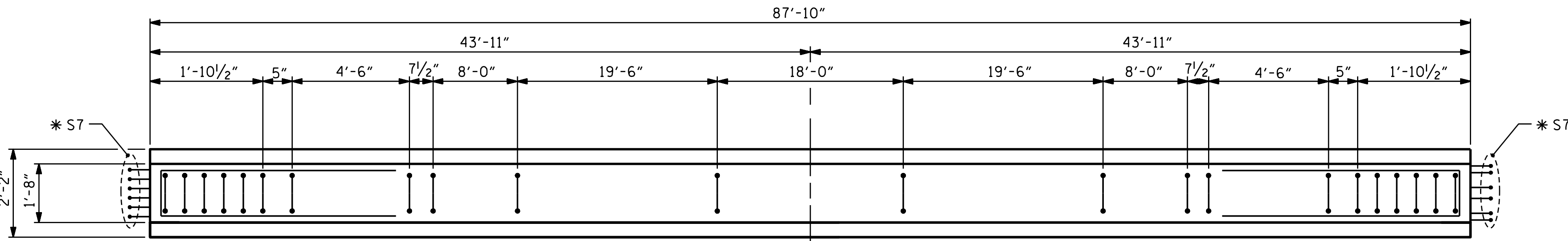


QUANTITIES FOR ONE GIRDER

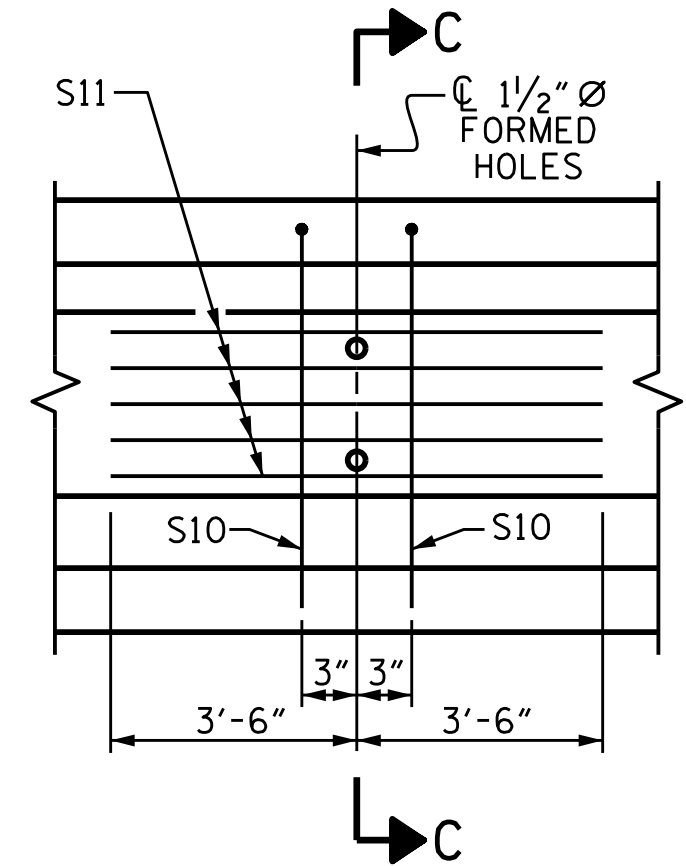
REINFORCING STEEL	5500 PSI CONCRETE	0.6" Ø L. R. STRANDS
LB.	C.Y.	No.
1067	17.8	32

GIRDERS REQUIRED

NUMBER	LENGTH	TOTAL LENGTH
4	87'-10"	351'-4"

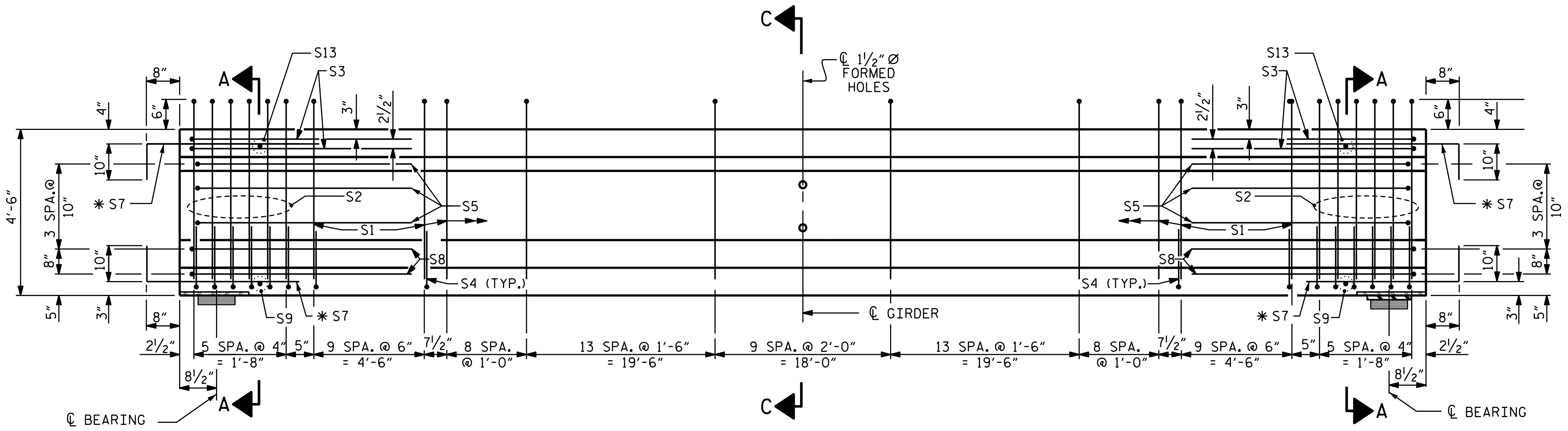


PLAN OF GIRDER



PARTIAL ELEVATION

SHOWING INTERMEDIATE DIAPHRAGM REINFORCING STEEL FOR ALL GIRDERS



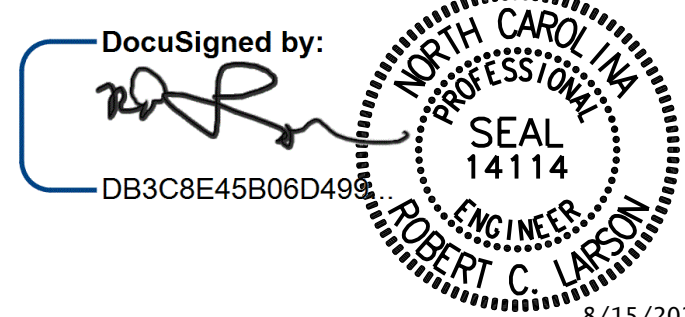
ELEVATION OF GIRDER

(SEE PARTIAL ELEVATION FOR ADDITIONAL "S" BARS)

DESIGN ENGINEER OF RECORD: *DocuSigned by: R. C. Larson* DATE: 8/15/2022

ASSEMBLED BY: A. K. ALLANKI DATE: 07/15/20
 CHECKED BY: R. C. LARSON DATE: 04/07/20

DRAWN BY: ELR 8/91 REV. 10/1/11 MAA/GM
 CHECKED BY: GRP 8/91 REV. 1/15 MAA/TMG
 REV. 12/17 MAA/THC



DOCUMENT NOT CONSIDERED FINAL UNLESS ALL SIGNATURES COMPLETED



STATE OF NORTH CAROLINA
 DEPARTMENT OF TRANSPORTATION
 RALEIGH

STANDARD
 AASHTO TYPE IV
 PRESTRESSED CONCRETE GIRDER
 CONTINUOUS FOR LIVE LOAD
 SPAN A

PROJECT NO. R-2561CA
 COLUMBUS COUNTY
 STATION: 16+93.00 -Y-
 SHEET 1 OF 2

NO.	BY:	DATE:	NO.	BY:	DATE:
1			3		
2			4		

SHEET NO. S2-9
 TOTAL SHEETS 24