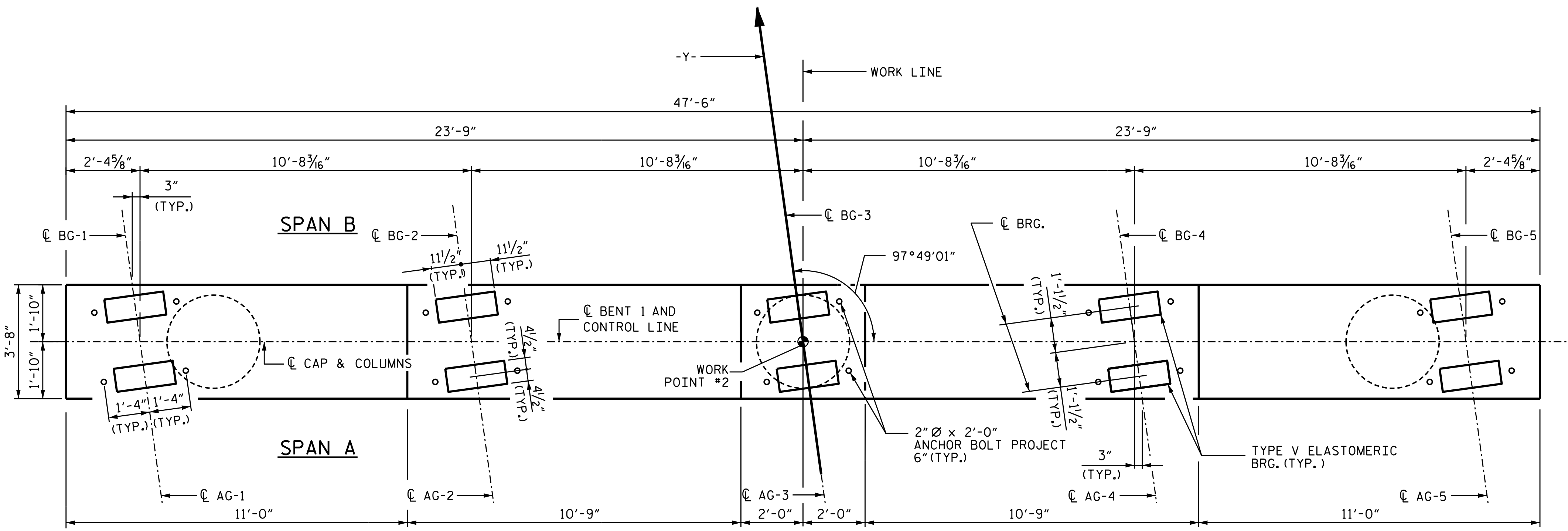
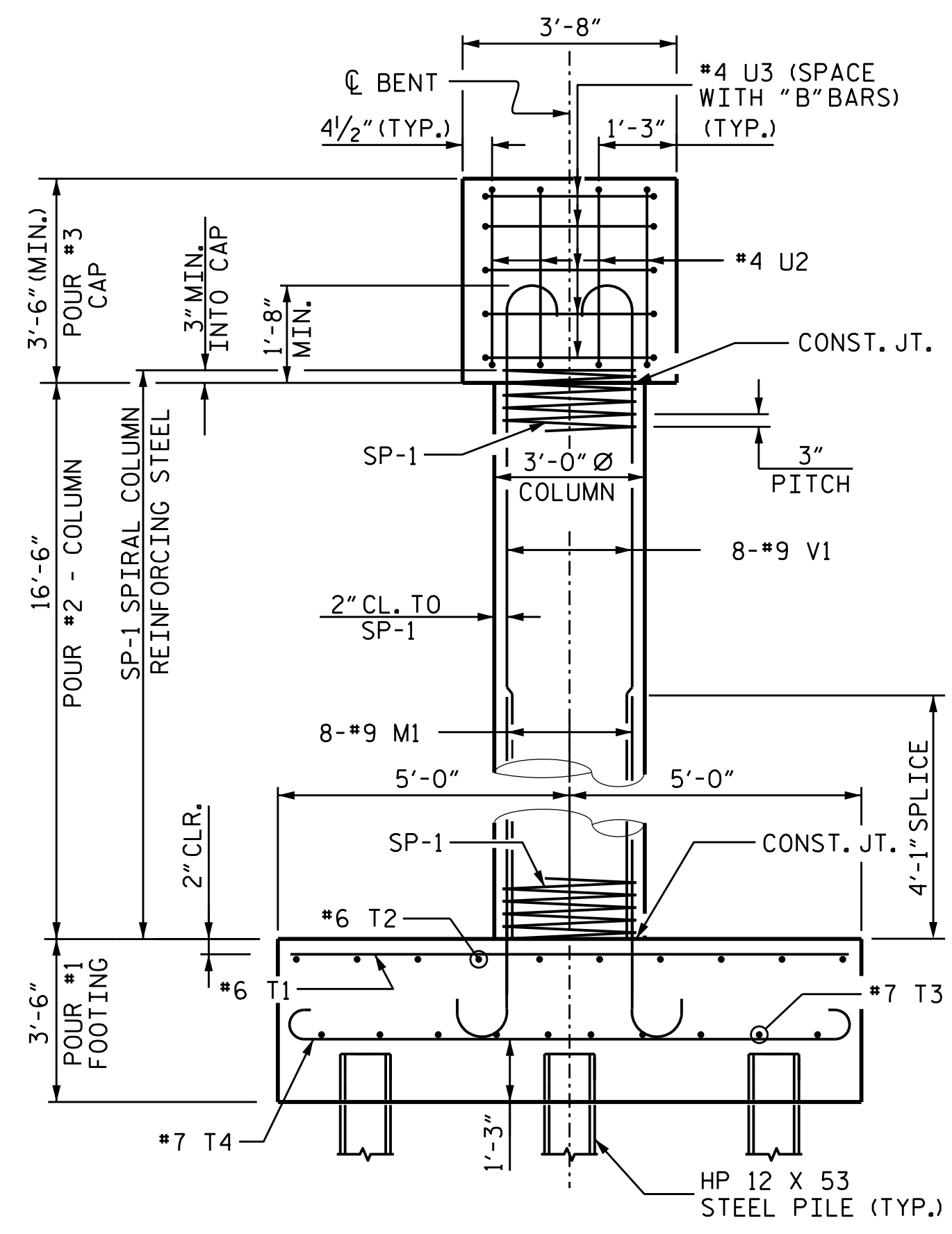


NOTES

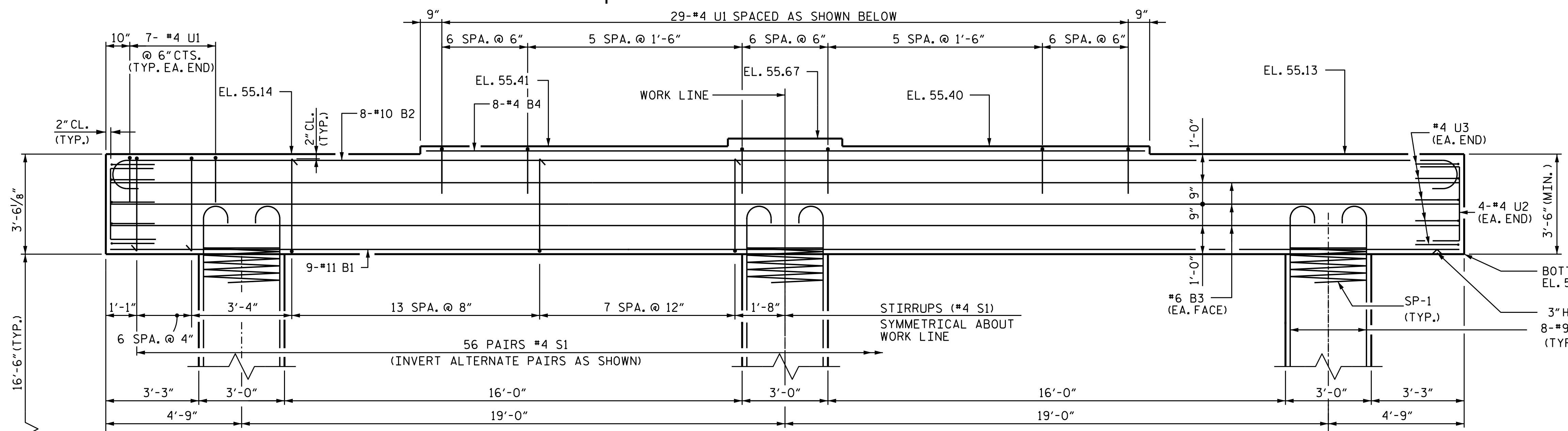
STIRRUPS IN CAP MAY BE SHIFTED AS NECESSARY TO CLEAR ANCHOR BOLTS.
 HOOKS ON "V" BARS MAY BE TURNED AS NECESSARY FOR PLACEMENT OF REINFORCING.
 FOR SECTION THRU BENT CAP SEE SHEET 2 OF 2



PLAN OF CAP



END ELEVATION



ELEVATION

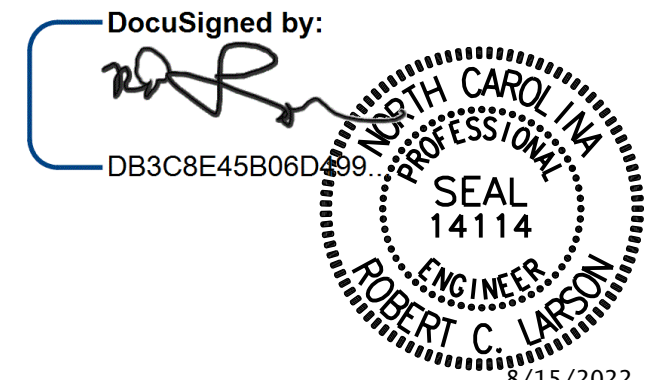
(FOOTING REINFORCING TYPICAL)

PROJECT NO. R-256ICA
COLUMBUS COUNTY
 STATION: 34+01.72 -Y-

SHEET 1 OF 2

STATE OF NORTH CAROLINA
 DEPARTMENT OF TRANSPORTATION
 RALEIGH

SUBSTRUCTURE BENT 1



REVISIONS		SHEET NO.	
NO.	DATE	NO.	DATE
1		3	
2		4	

DESIGN ENGINEER OF RECORD: [Signature] DATE: 8/15/2022
 DRAWN BY: A. K. ALLANKI DATE: 03/18/20
 CHECKED BY: R. C. LARSON DATE: 03/23/20

**DOCUMENT NOT CONSIDERED FINAL
 UNLESS ALL SIGNATURES COMPLETED**

KCI Associates
 of North Carolina, P.A.
 4505 Falls of House Road, Suite 400 Raleigh, NC 27609-6270 Phone 919-785-5241