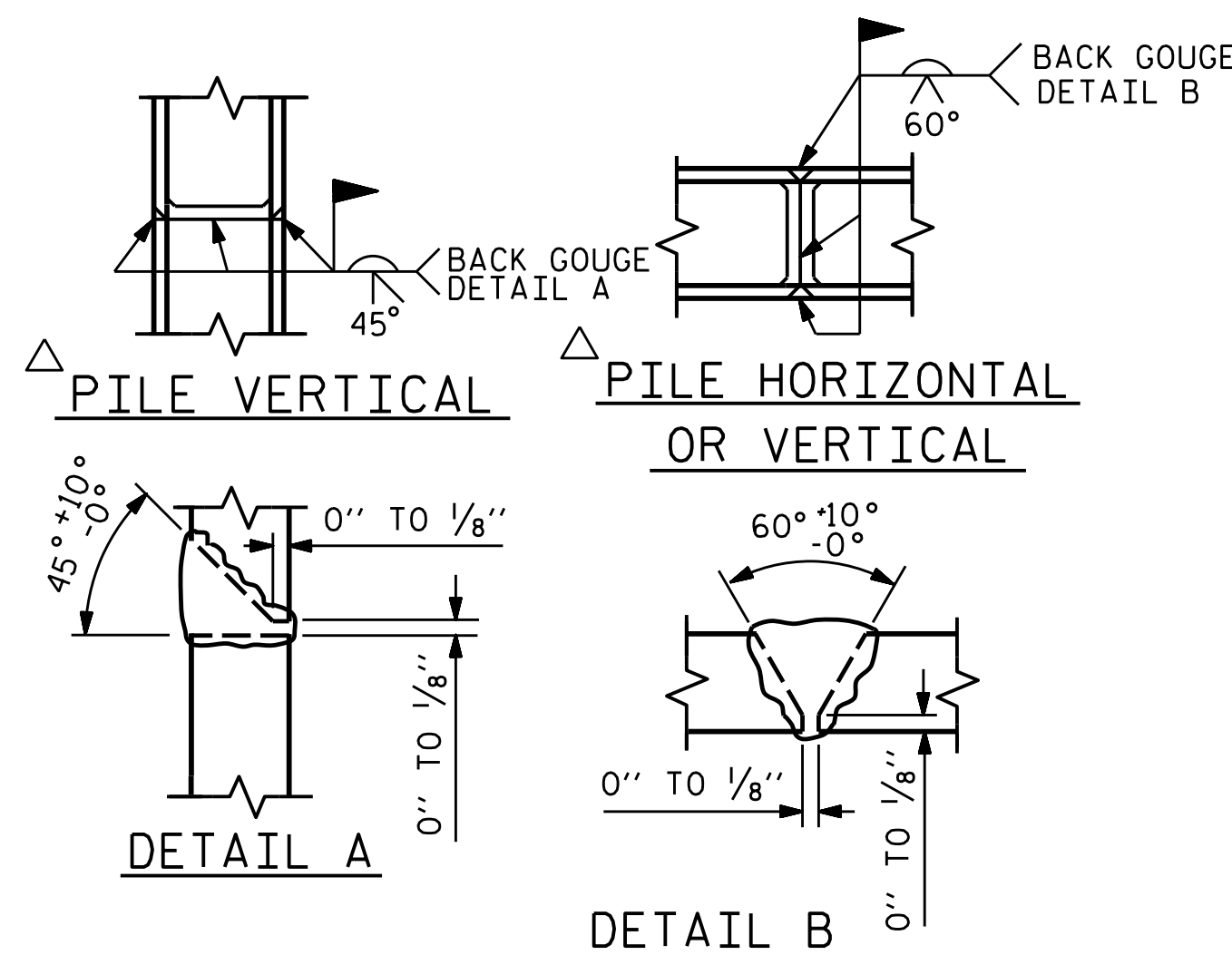
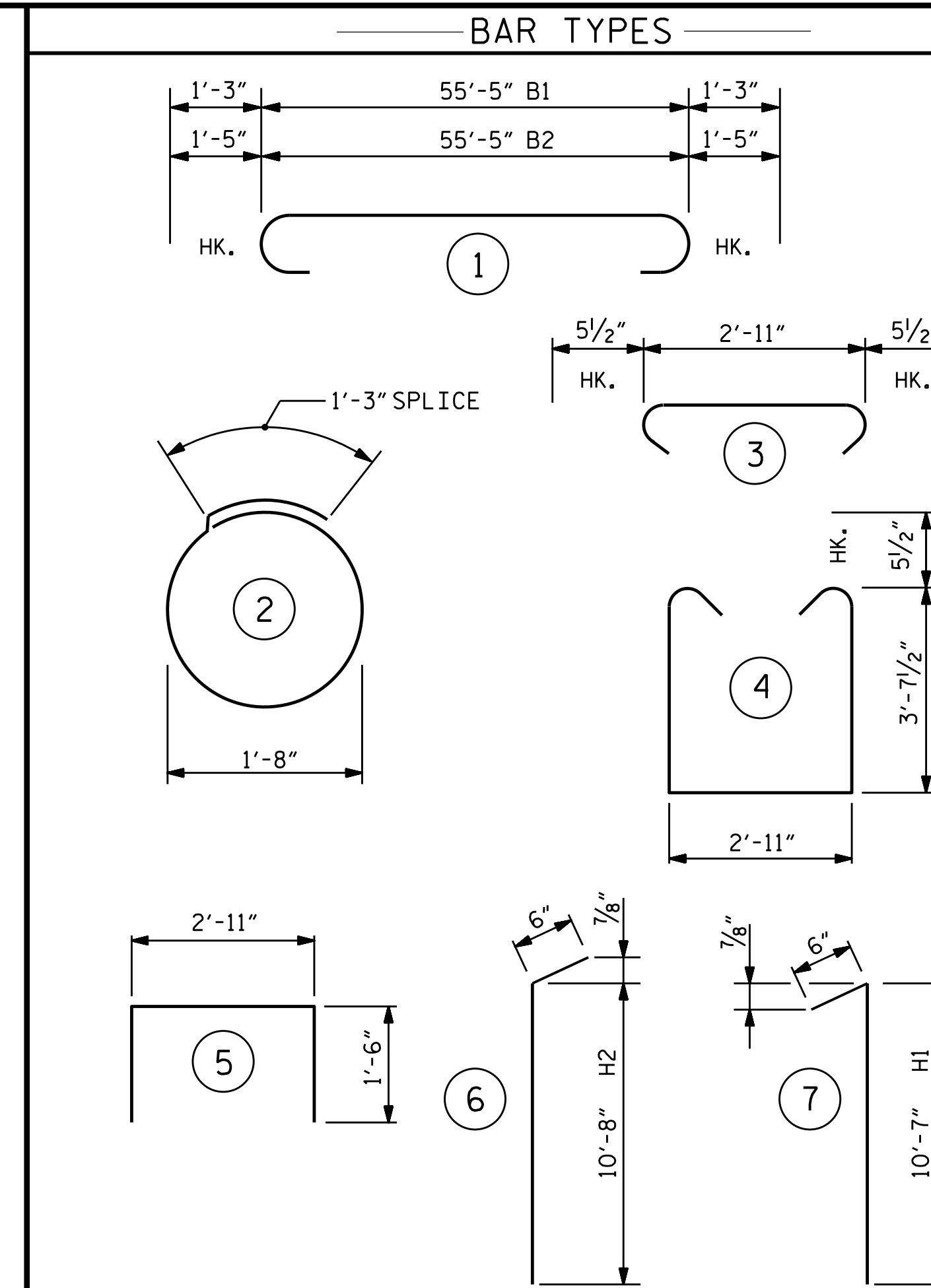


SECTION A-A



△ POSITION OF PILE DURING WELDING.

PILE SPLICE DETAILS



ALL BAR DIMENSIONS ARE OUT TO OUT.

- * POUR 1: CAPS, LOWER PART OF WINGS, COLLARS
- * POUR 2: UPPER PART OF WINGS

BILL OF MATERIAL

END BENT 1

BAR	NO.	SIZE	TYPE	LENGTH	WEIGHT
B1	5	9	1	58'-3"	990
B2	4	10	1	57'-11"	997
B3	28	4	STR.	28'-1"	525
B4	14	4	STR.	2'-11"	27
B5	5	4	STR.	24'-0"	80
D1	80	4	STR.	5'-10"	312
H1	40	5	7	11'-1"	462
H2	40	5	6	11'-2"	466
K1	24	4	STR.	2'-8"	43
S1	32	4	2	6'-6"	139
S2	49	5	3	3'-10"	196
S3	49	5	4	11'-1"	566
U1	16	4	5	5'-11"	63
V1	56	5	STR.	9'-9"	569

REINFORCING STEEL, LBS. 5435

CLASS A CONCRETE, CY * POUR 1 32.1
* POUR 2 5.9

TOTAL 38.0

HP 12X53 STEEL PILES NO. 8
L.F. 560

PILE DRIVING EQUIPMENT SETUP FOR HP 12X53 STEEL PILES, EA. 8

PILE REDRIVES, EA. 4

PROJECT NO. R-256ICA
COLUMBUS COUNTY
STATION: 34+01.72 -Y-

SHEET 3 OF 3

STATE OF NORTH CAROLINA
DEPARTMENT OF TRANSPORTATION
RALEIGH

SUBSTRUCTURE
END BENT 1

DocuSigned by:
R. C. LARSON
DB3C8E45B06D499
NORTH CAROLINA PROFESSIONAL ENGINEER SEAL 14114 ROBERT C. LARSON 8/15/2022

DESIGN ENGINEER OF RECORD: R. J. FLORY DATE: 8/15/2022
DRAWN BY: R. J. FLORY DATE: 03/30/20
CHECKED BY: R. C. LARSON DATE: 04/02/20

DOCUMENT NOT CONSIDERED FINAL
UNLESS ALL SIGNATURES COMPLETED

ENGINEERS & PLANNERS & SCIENTISTS & CONSTRUCTION MANAGERS LICENSE NUMBER: C-0764
KCI Associates
of North Carolina, P.A.
4505 Falls of House Road, Suite 400 Raleigh, NC 27609-6370 Phone: (919) 785-5241

NO.	BY:	DATE:	NO.	BY:	DATE:	SHEET NO.
1			3			S1-19
2			4			TOTAL SHEETS 28