

NOTES

AT ALL FIXED POINTS OF SUPPORT, NUTS FOR ANCHOR BOLTS ARE TO BE TIGHTENED FINGER TIGHT AND THEN BACKED OFF 1/2 TURN. THE THREAD OF THE NUT AND BOLT SHALL THEN BE BURRED WITH A SHARP POINTED TOOL.

STEEL SOLE PLATES, ANCHOR BOLTS, NUTS, AND WASHERS SHALL BE GALVANIZED IN ACCORDANCE WITH THE STANDARD SPECIFICATIONS.

PRIOR TO WELDING, GRIND THE GALVANIZED SURFACE OF THE PORTION OF THE EMBEDDED PLATE AND SOLE PLATE THAT ARE TO BE WELDED. AFTER WELDING, DAMAGED GALVANIZED SURFACES SHALL BE REPAIRED IN ACCORDANCE WITH THE STANDARD SPECIFICATIONS.

WHEN WELDING THE SOLE PLATE TO THE EMBEDDED PLATE IN THE GIRDER, USE TEMPERATURE INDICATING WAX PENS, OR OTHER SUITABLE MEANS, TO ENSURE THAT THE TEMPERATURE OF THE SOLE PLATE DOES NOT EXCEED 300°F. TEMPERATURES ABOVE THIS MAY DAMAGE THE ELASTOMER.

SOLE PLATE "P", BOLTS, NUTS, AND WASHERS SHALL BE INCLUDED IN THE PAY ITEM FOR PRESTRESSED CONCRETE GIRDERS.

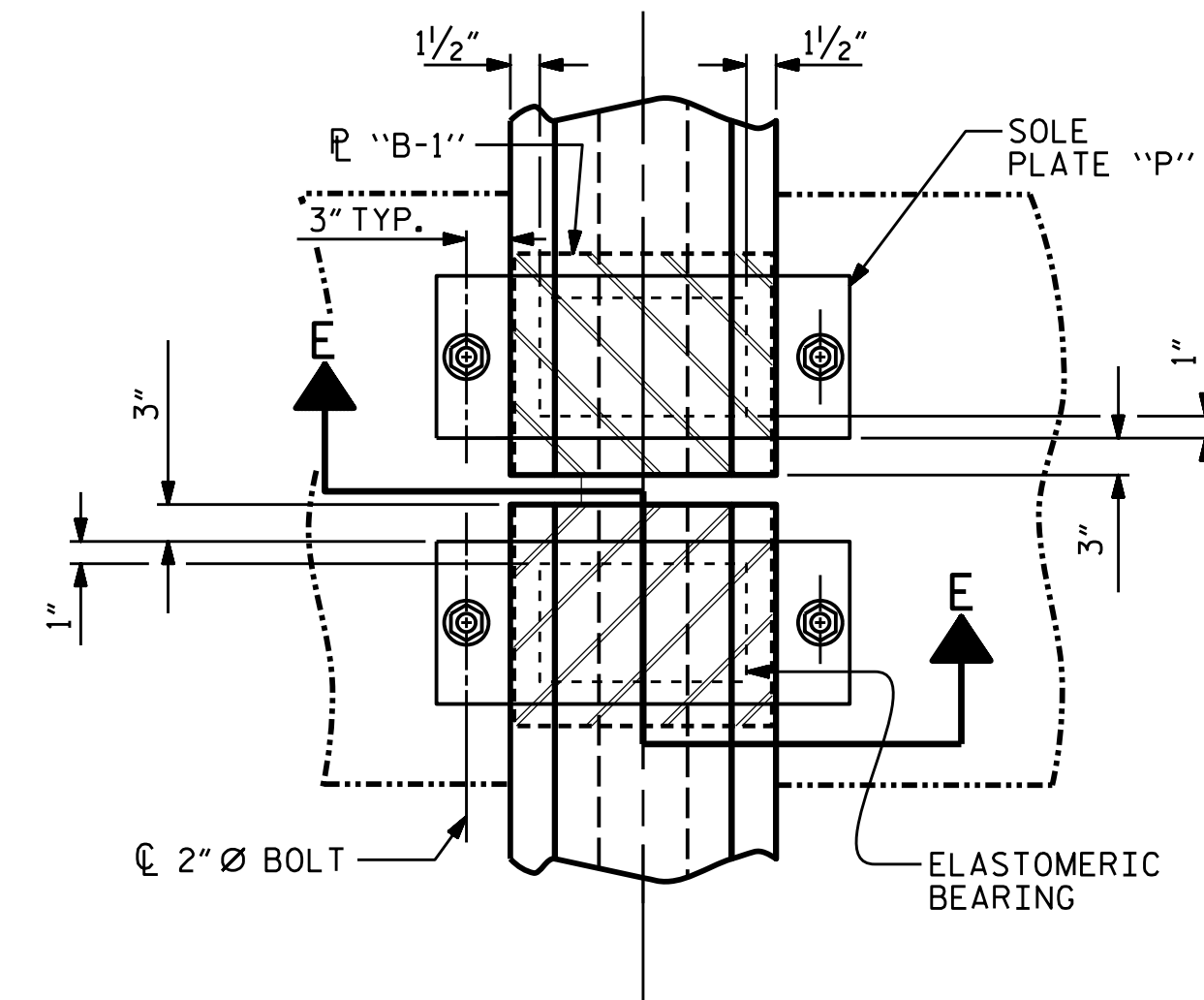
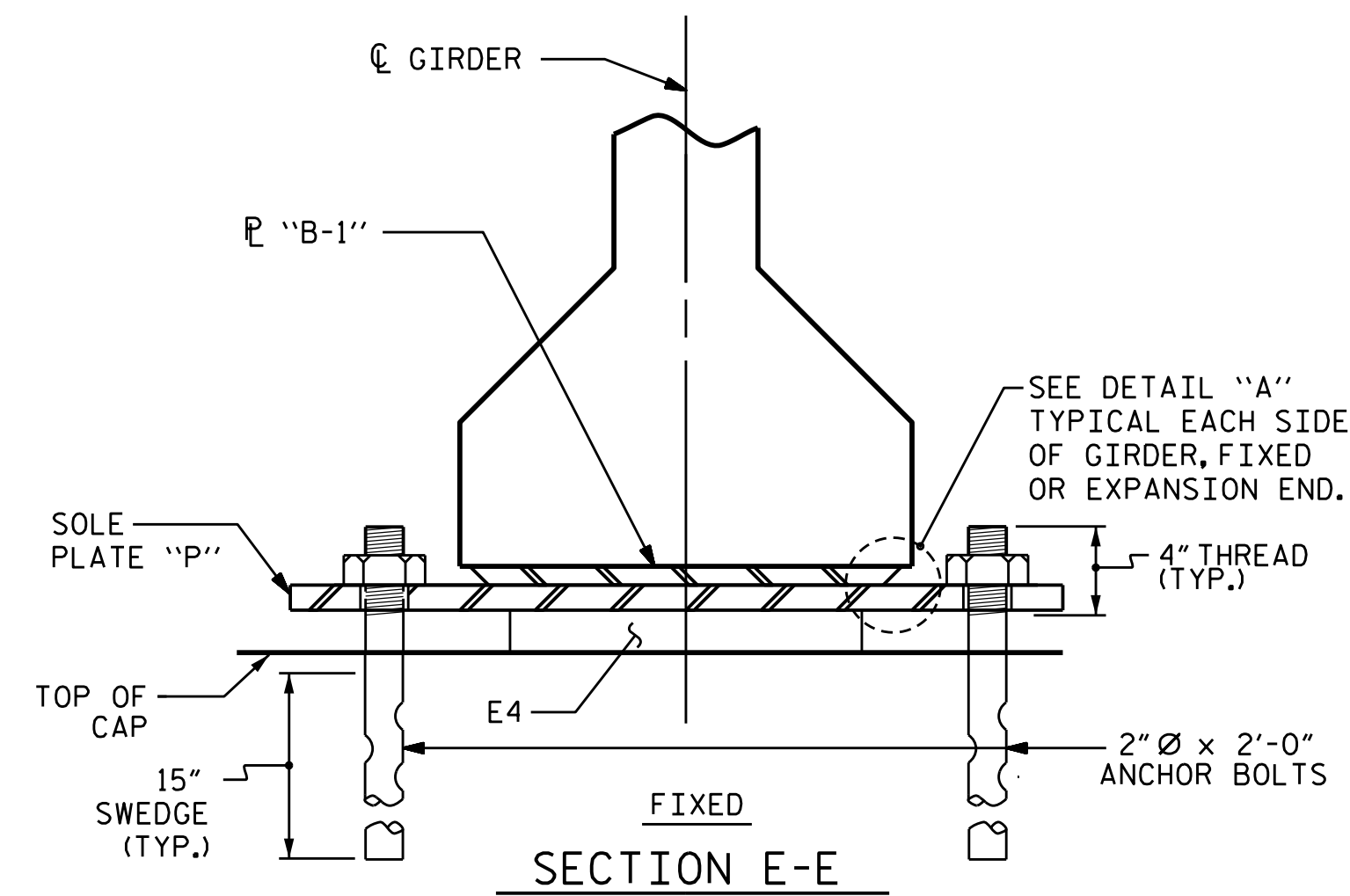
ANCHOR BOLTS SHALL MEET THE REQUIREMENTS OF ASTM A449. NUTS SHALL MEET THE REQUIREMENTS OF AASHTO M291-DH OR AASHTO M292-2H. WASHERS SHALL MEET THE REQUIREMENTS OF AASHTO M293. SHOP DRAWINGS ARE NOT REQUIRED FOR ANCHOR BOLT, NUTS AND WASHERS. SHOP INSPECTION IS REQUIRED.

ALL SURFACES OF BEARING PLATES SHALL BE SMOOTH AND STRAIGHT.

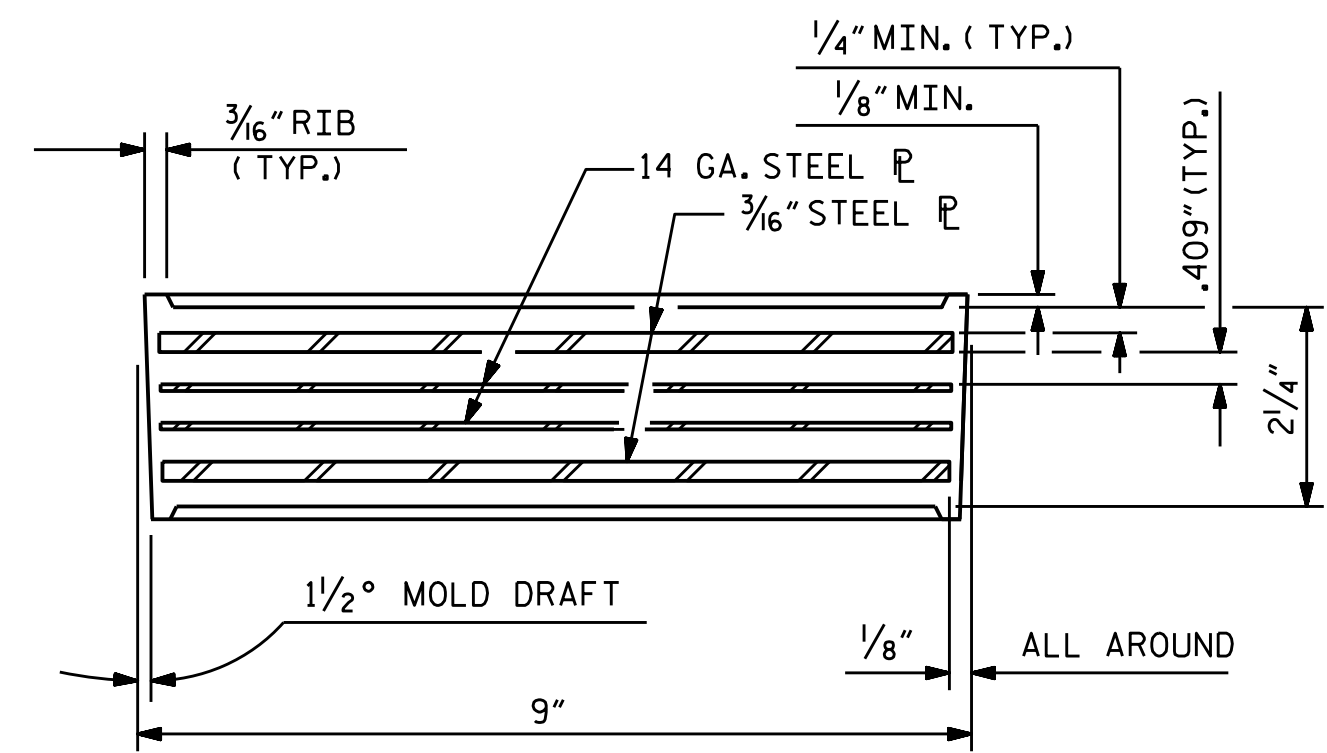
THE ELASTOMER IN THE STEEL REINFORCED BEARINGS SHALL HAVE A SHEAR MODULUS OF 0.160 KSI, IN ACCORDANCE WITH AASHTO M251.

FOR STEEL REINFORCED ELASTOMERIC BEARINGS, SEE SPECIAL PROVISIONS.

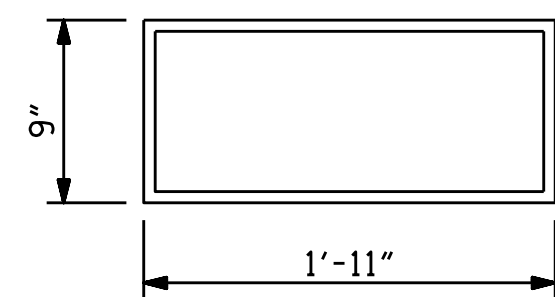
ALL SOLE PLATES SHALL BE AASHTO M270 GRADE 36.



PLAN AT BENT
(SHOWING CONTINUOUS BENT)

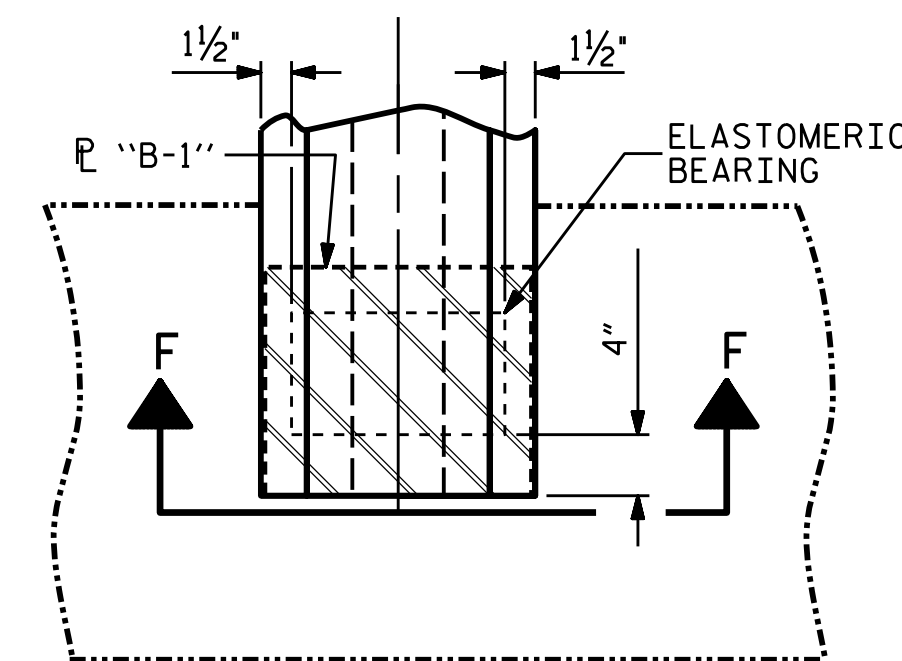


TYPICAL SECTION OF ELASTOMERIC BEARINGS



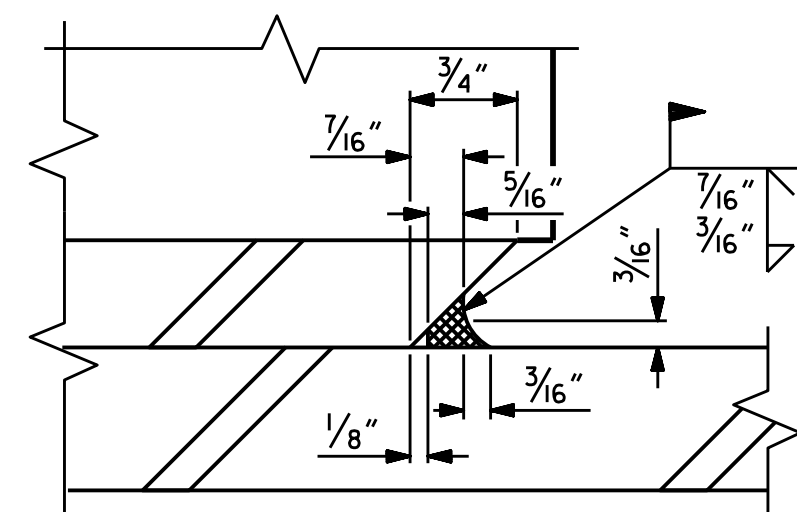
E4 (20 REQ'D)
PLAN VIEW OF ELASTOMERIC BEARING

TYPE V

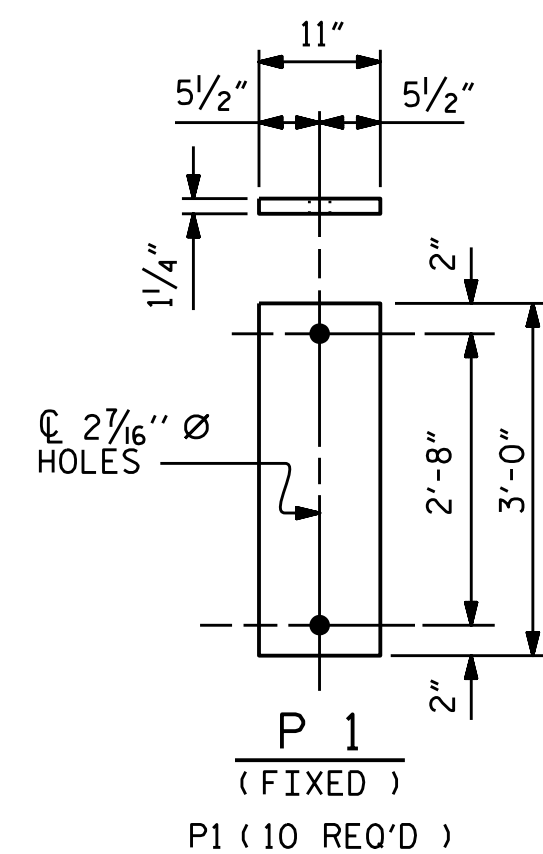


TYPICAL PLAN AT INTEGRAL END BENT

| | |
|--|-------|
| MAXIMUM ALLOWABLE SERVICE LOADS | |
| D.L.+L.L. (NO IMPACT) | |
| TYPE V | 365 k |



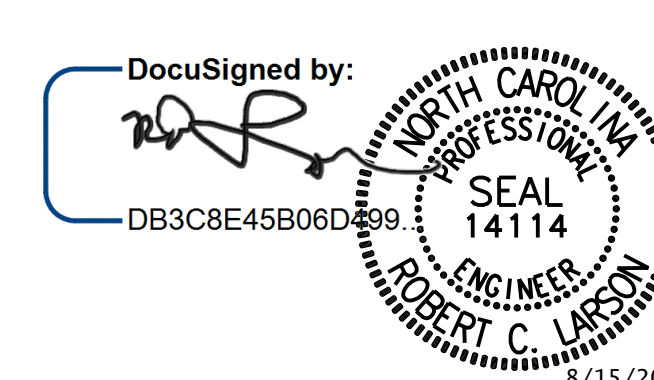
DETAIL "A"



SOLE PLATE DETAILS ("P")

| | | |
|---|-----------------------------------|-----------------|
| DESIGN ENGINEER OF RECORD: <i>[Signature]</i> | DocuSigned by: <i>[Signature]</i> | DATE: 8/15/2022 |
| ASSEMBLED BY: Z. KADI | DATE: 07/01/19 | |
| CHECKED BY: R. C. LARSON | DATE: 07/31/19 | |
| DRAWN BY: WJH 8/89 | REV. 6/13 AAC/MAA | |
| CHECKED BY: CRK 8/89 | REV. 1/15 MAA/TMG | |
| | REV. 12/17 MAA/THC | |

DOCUMENT NOT CONSIDERED FINAL UNLESS ALL SIGNATURES COMPLETED



PROJECT NO. R-2561CA
COLUMBUS COUNTY
STATION: 34+01.72 -Y-

STATE OF NORTH CAROLINA
DEPARTMENT OF TRANSPORTATION
RALEIGH
STANDARD
ELASTOMERIC BEARING DETAILS
PRESTRESSED CONCRETE GIRDER SUPERSTRUCTURE

| REVISIONS | | | | | | SHEET NO. |
|-----------|-----|-------|-----|-----|-------|--------------|
| NO. | BY: | DATE: | NO. | BY: | DATE: | TOTAL SHEETS |
| 1 | | | 3 | | | 28 |
| 2 | | | 4 | | | |

ENGINEERS PLANNERS SCIENTISTS CONSTRUCTION MANAGERS LICENSE NUMBER: C-0784
KCI Associates
of North Carolina, P.A.
4505 Falls of Neuse Road, Suite 400, Raleigh, NC 27609-1270 Phone 919-783-9241