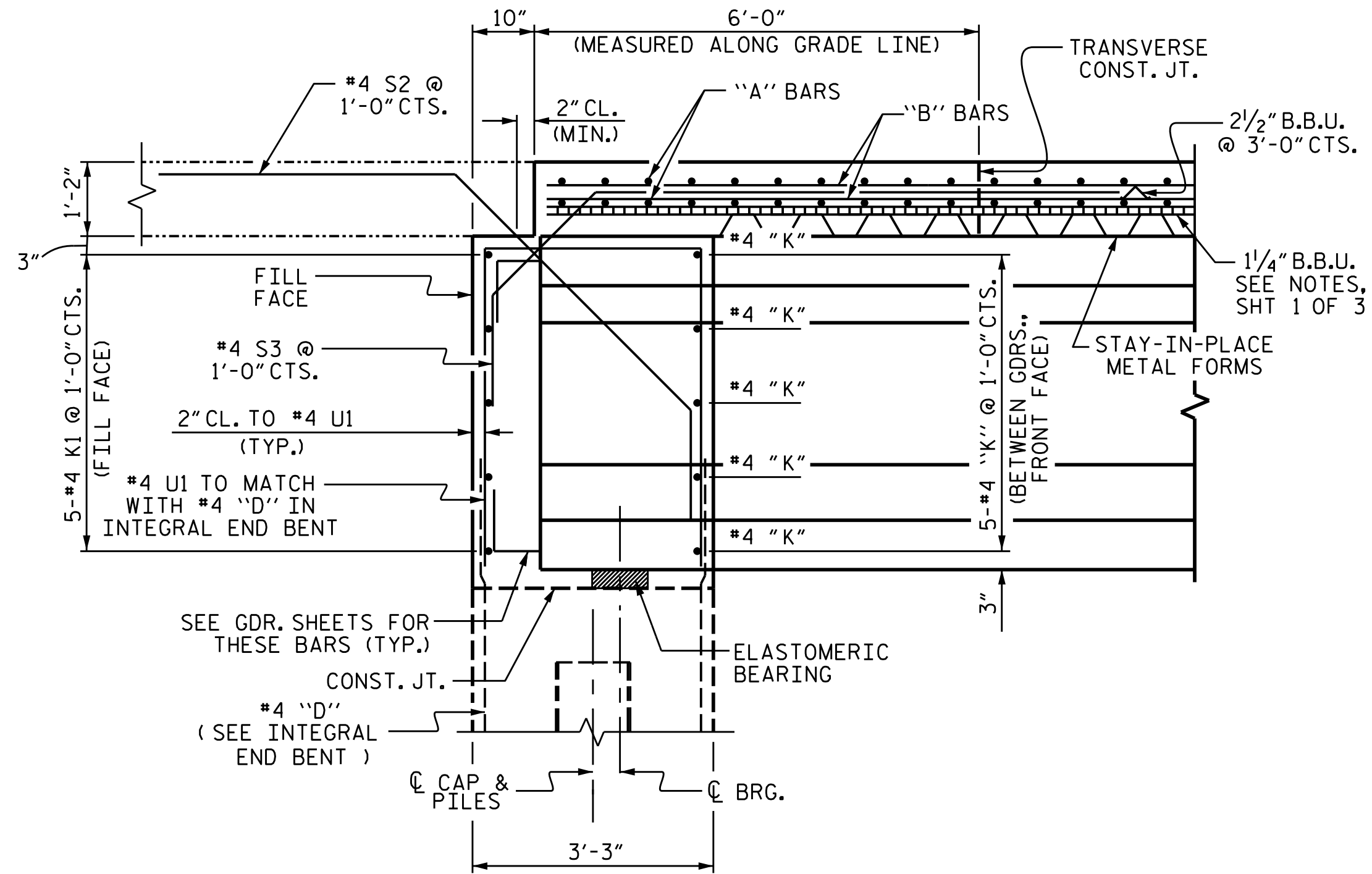
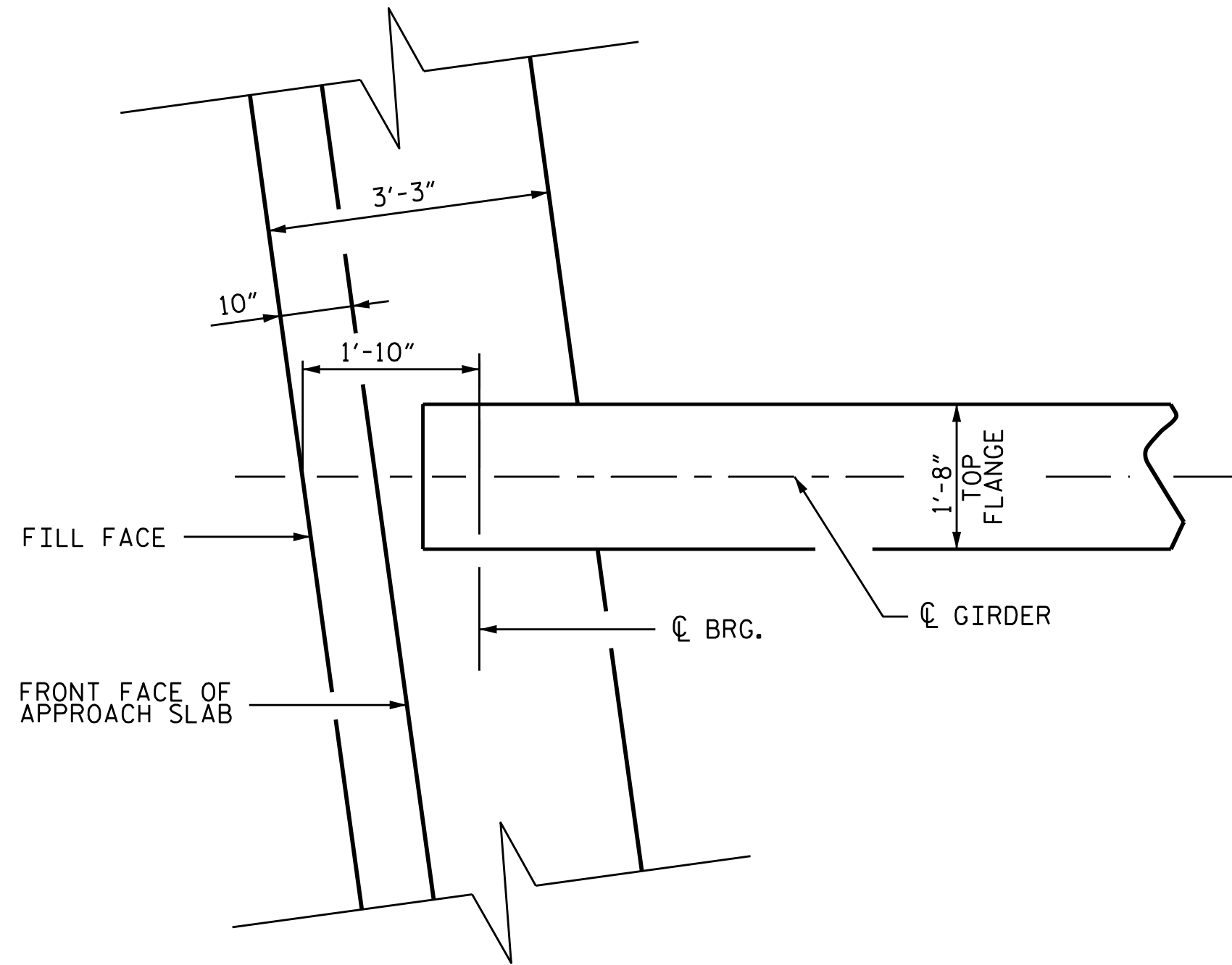


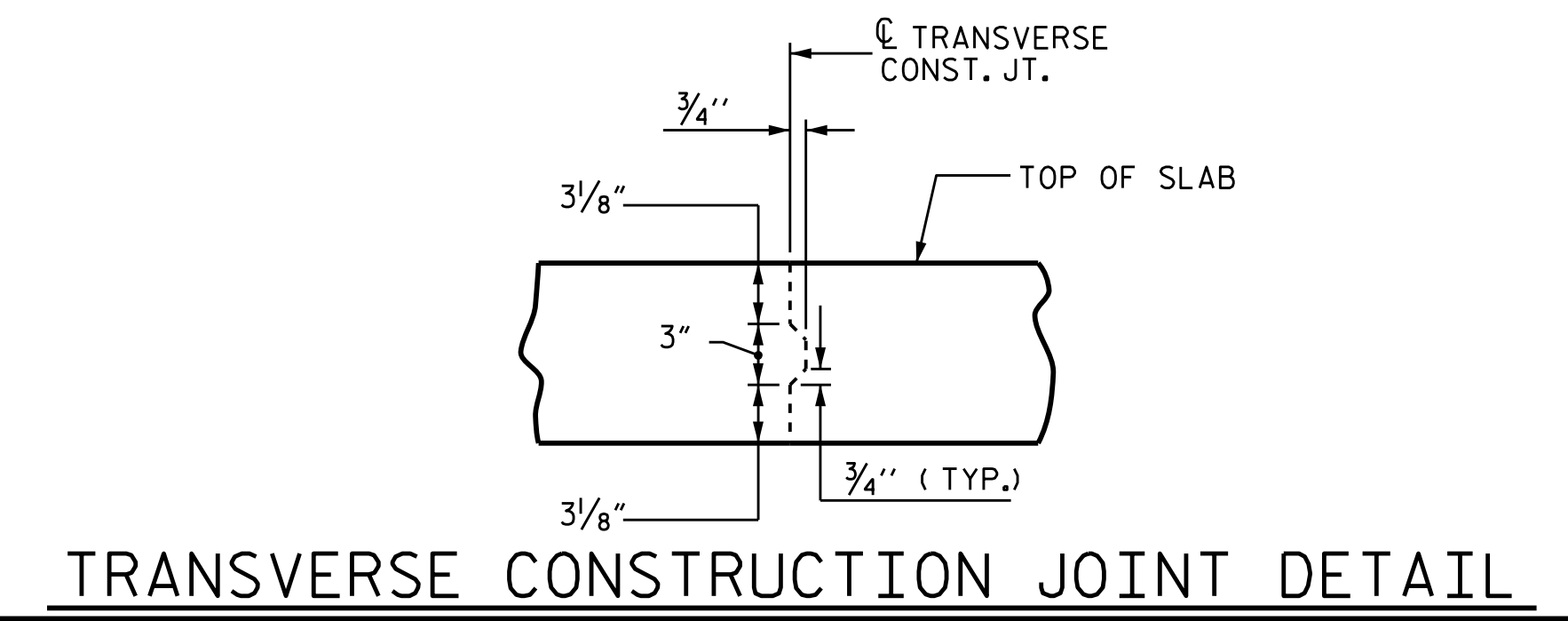
SECTION THRU BENT DIAPHRAGM



SECTION THRU INTEGRAL END BENT



PLAN OF GIRDER AT INTEGRAL END BENT



NOTE: REINFORCING STEEL IN SLAB NOT SHOWN. LONGITUDINAL REINFORCING STEEL SHALL BE CONTINUOUS THRU JOINT

PROJECT NO. R-256ICA
COLUMBUS COUNTY
 STATION: 34+01.72 -Y-

SHEET 3 OF 3

STATE OF NORTH CAROLINA
 DEPARTMENT OF TRANSPORTATION
 RALEIGH

**SUPERSTRUCTURE
 TYPICAL SECTION**

DocuSigned by:

 DB3C8E45B06D498
 NORTH CAROLINA PROFESSIONAL SEAL 14114
 ENGINEER
 ROBERT C. LARSON
 8/15/2022

DESIGN ENGINEER OF RECORD:	DATE: 8/15/2022
DRAWN BY: A. K. ALLANKI	DATE: 07/24/19
CHECKED BY: R. C. LARSON	DATE: 07/29/19

**DOCUMENT NOT CONSIDERED FINAL
 UNLESS ALL SIGNATURES COMPLETED**

ENGINEERS & PLANNERS & SCIENTISTS & CONSTRUCTION MANAGERS LICENSE NUMBER: C-0784
KCI Associates
 of North Carolina, P.A.
 4505 Falls of Neuse Road, Suite 400 Raleigh, NC 27609-6270 Phone 199-785-924

REVISIONS		SHEET NO.	
NO.	DATE	NO.	DATE
1		3	
2		4	

TOTAL SHEETS: 28