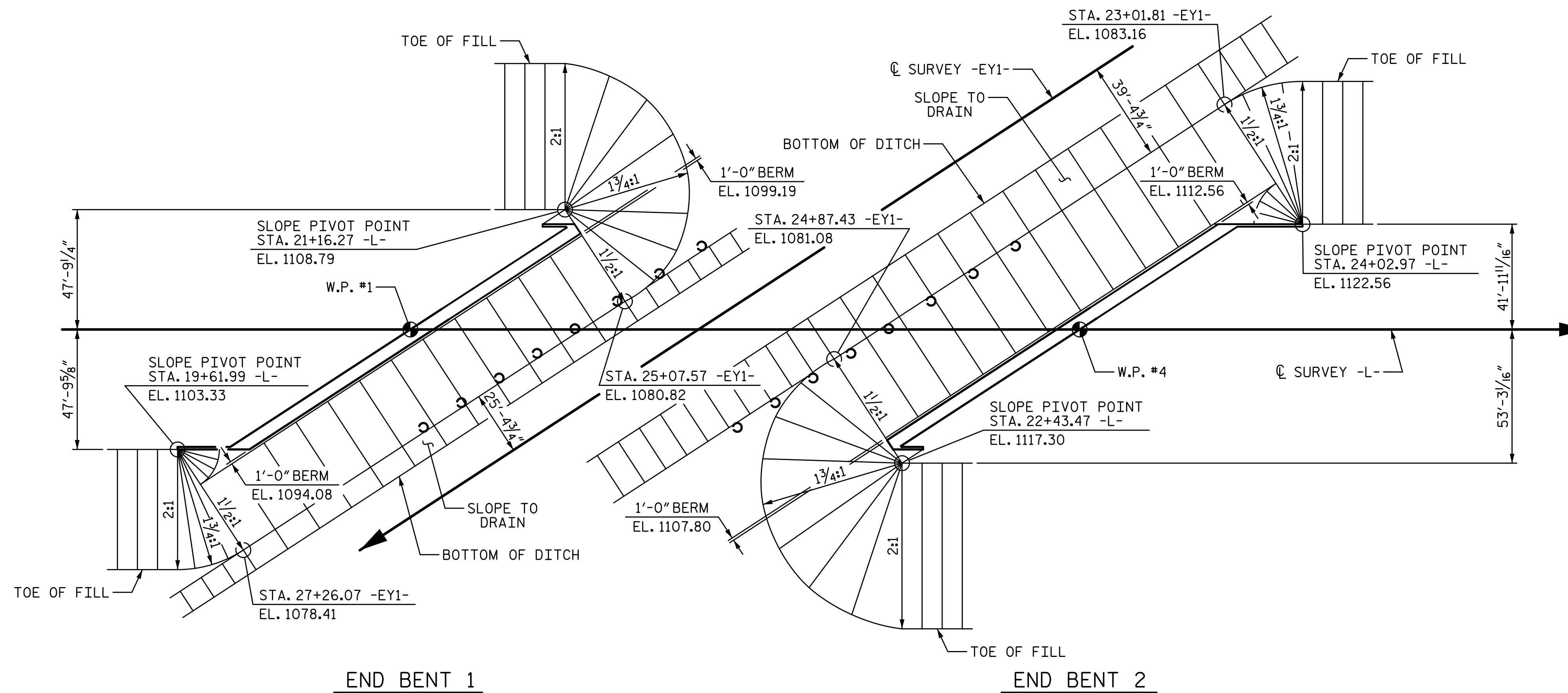
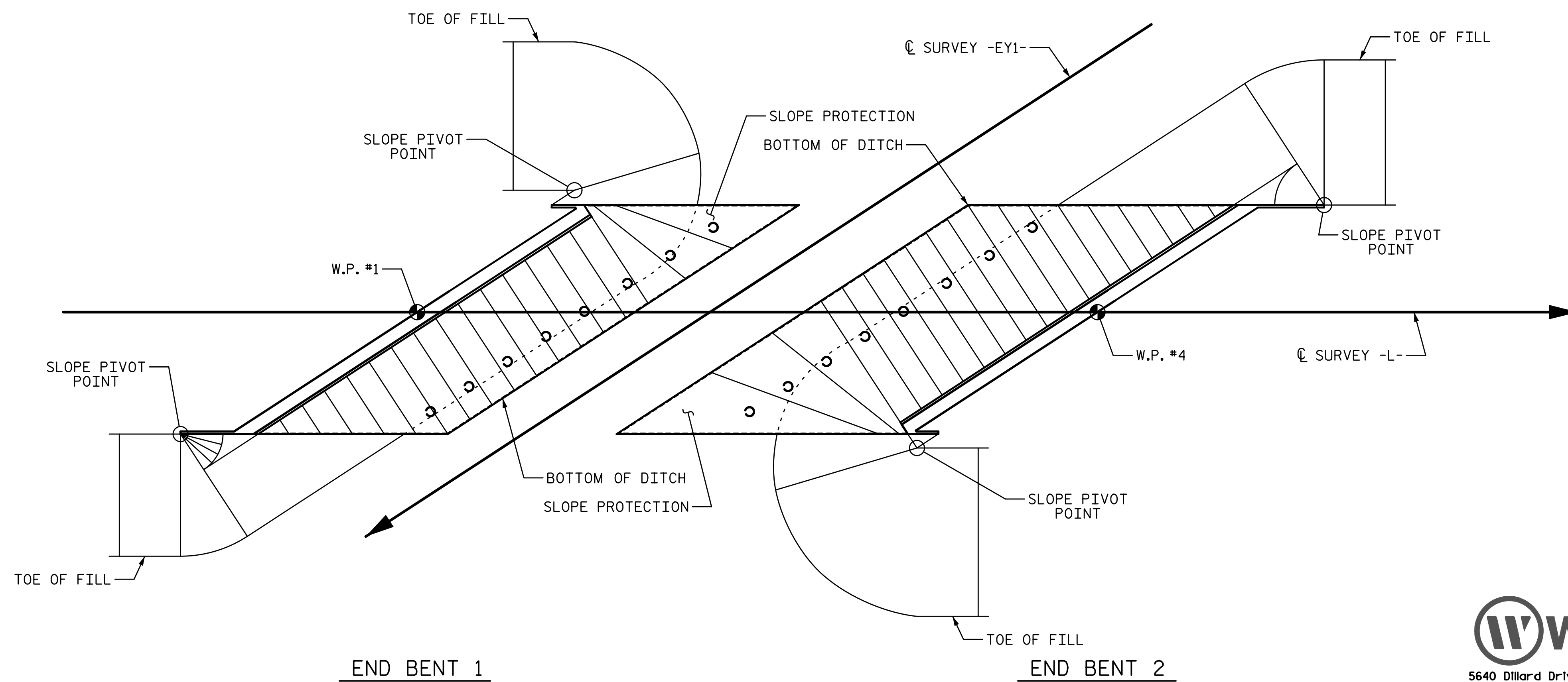


11/21/2022 10:19:13 AM P:\Raleigh\Projects\2018\Division 13 (SEA)\B-5869 (Burke 99)\Structures\Drawings\2\Final\2\B5869\_SMU\_SP\_110099(2).dgn



**PLAN - GRADING**



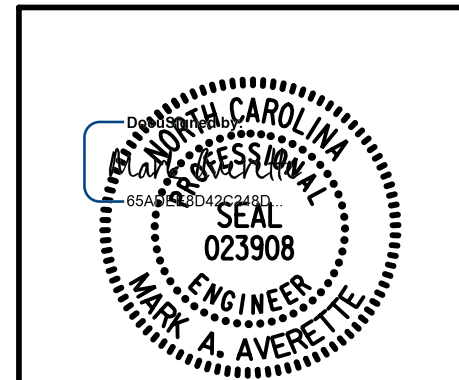
**PLAN - CONCRETE PLACEMENT**

PROJECT NO. B-5869  
 BURKE COUNTY  
 STATION: 21+62.39 -L-

SHEET 2 OF 2

STATE OF NORTH CAROLINA  
 DEPARTMENT OF TRANSPORTATION  
 RALEIGH

**SLOPE PROTECTION  
 DETAILS**



11/21/2022 | 7:43 AM

DRAWN BY: S.D. COOPER DATE: 3-2022  
 CHECKED BY: M. AVERETTE DATE: 3-2022  
 DESIGN ENGINEER OF RECORD: M. AVERETTE DATE: 3-2022

REVISIONS						SHEET NO.
NO.	BY:	DATE:	NO.	BY:	DATE:	S-68
1			3			TOTAL SHEETS
2			4			72

**DOCUMENT NOT CONSIDERED FINAL  
 UNLESS ALL SIGNATURES COMPLETED**