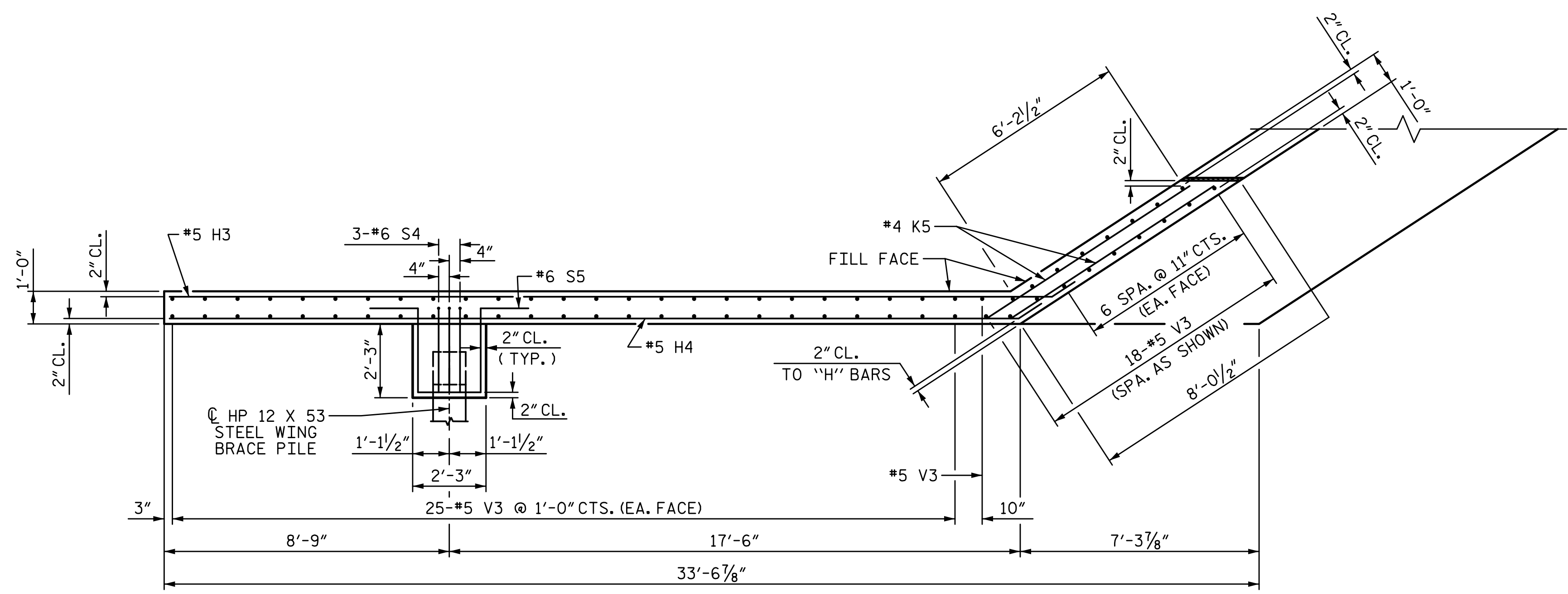
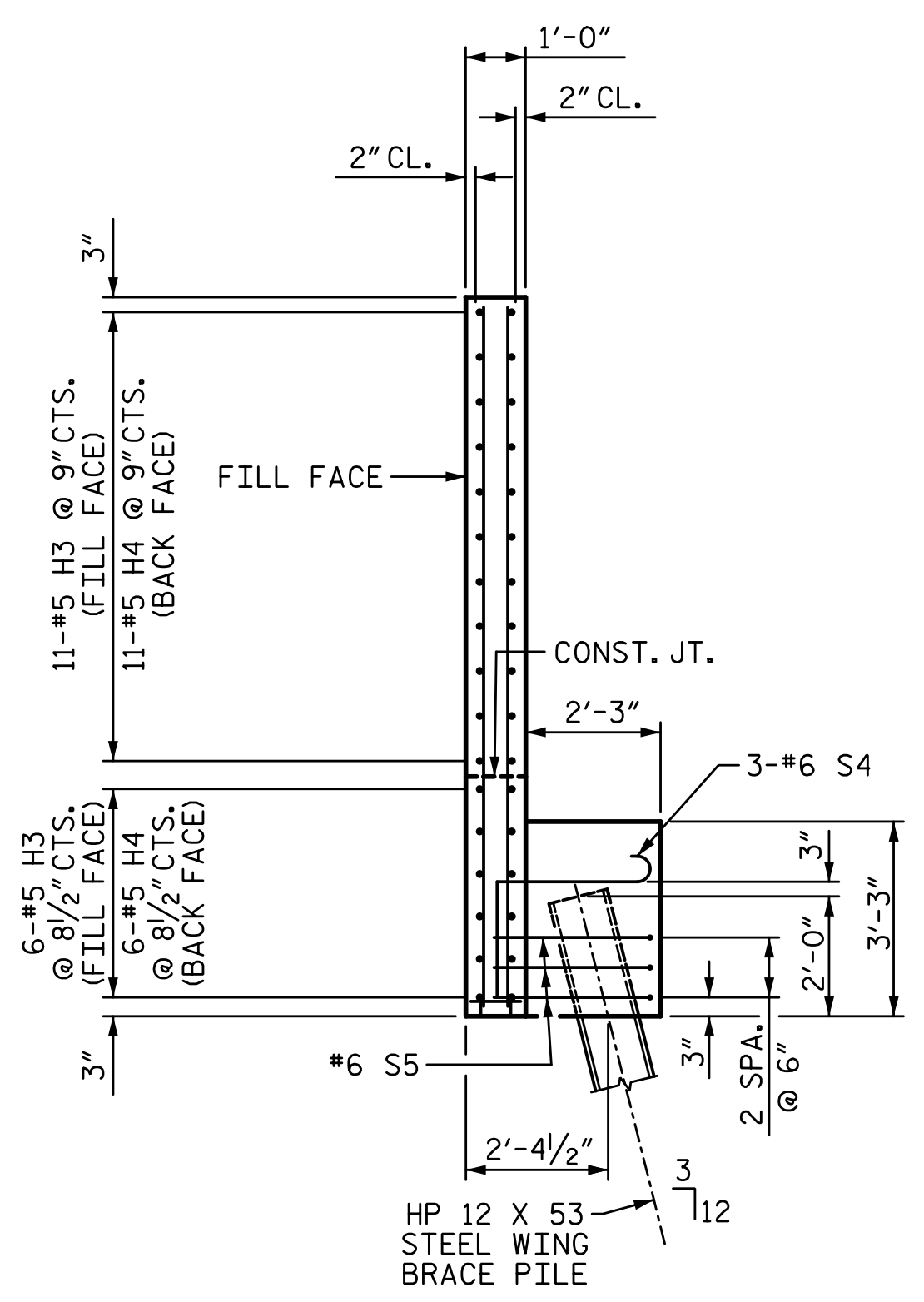


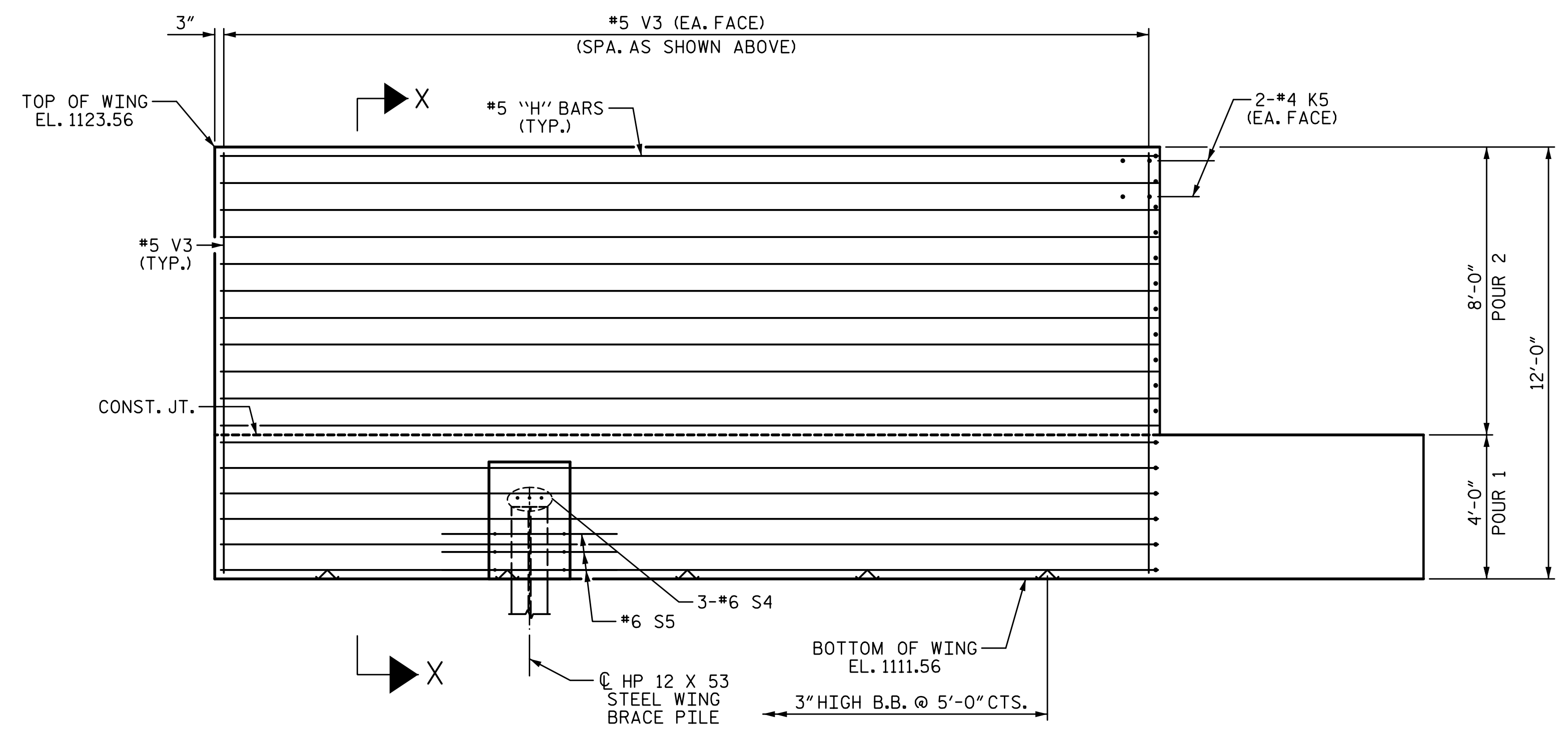
11/21/2022 10:19:11 AM P:\Raleigh\Projects\2018\Division 13 (SEA)\B-5869 (Burke 99)\Structures\Drawings\2\Final\2\B5869\_SMU\_E2\_110099(2).dgn



PLAN OF WING (W1)



SECTION X-X

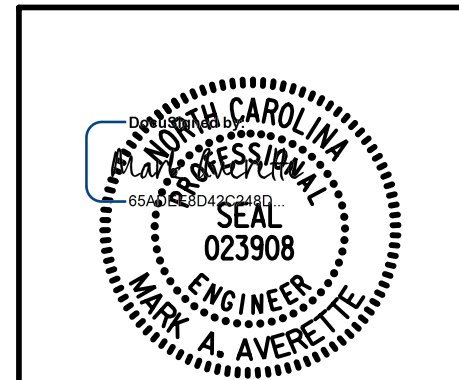


ELEVATION OF WING (W1)

PROJECT NO. B-5869  
BURKE COUNTY  
 STATION: 21+62.39 -L-

SHEET 4 OF 5

STATE OF NORTH CAROLINA  
 DEPARTMENT OF TRANSPORTATION  
 RALEIGH  
 SUBSTRUCTURE  
 END BENT 2  
 STAGE III



REVISIONS						SHEET NO.
NO.	BY:	DATE:	NO.	BY:	DATE:	S-65
1			3			TOTAL SHEETS
2			4			72

DRAWN BY: S.D. COOPER DATE: 3-2022  
 CHECKED BY: M. AVERETTE DATE: 3-2022  
 DESIGN ENGINEER OF RECORD: M. AVERETTE DATE: 3-2022

DOCUMENT NOT CONSIDERED FINAL  
 UNLESS ALL SIGNATURES COMPLETED