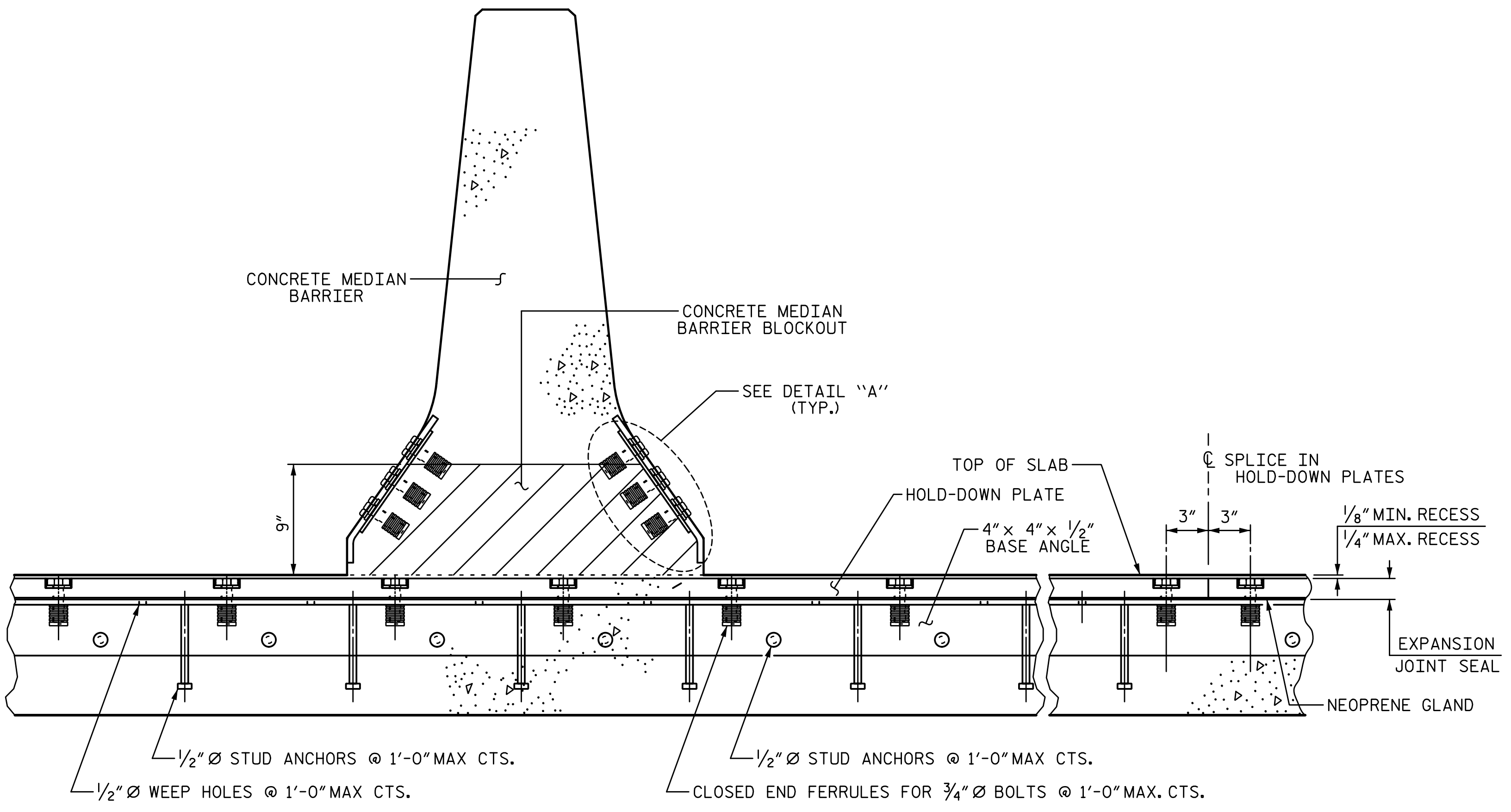
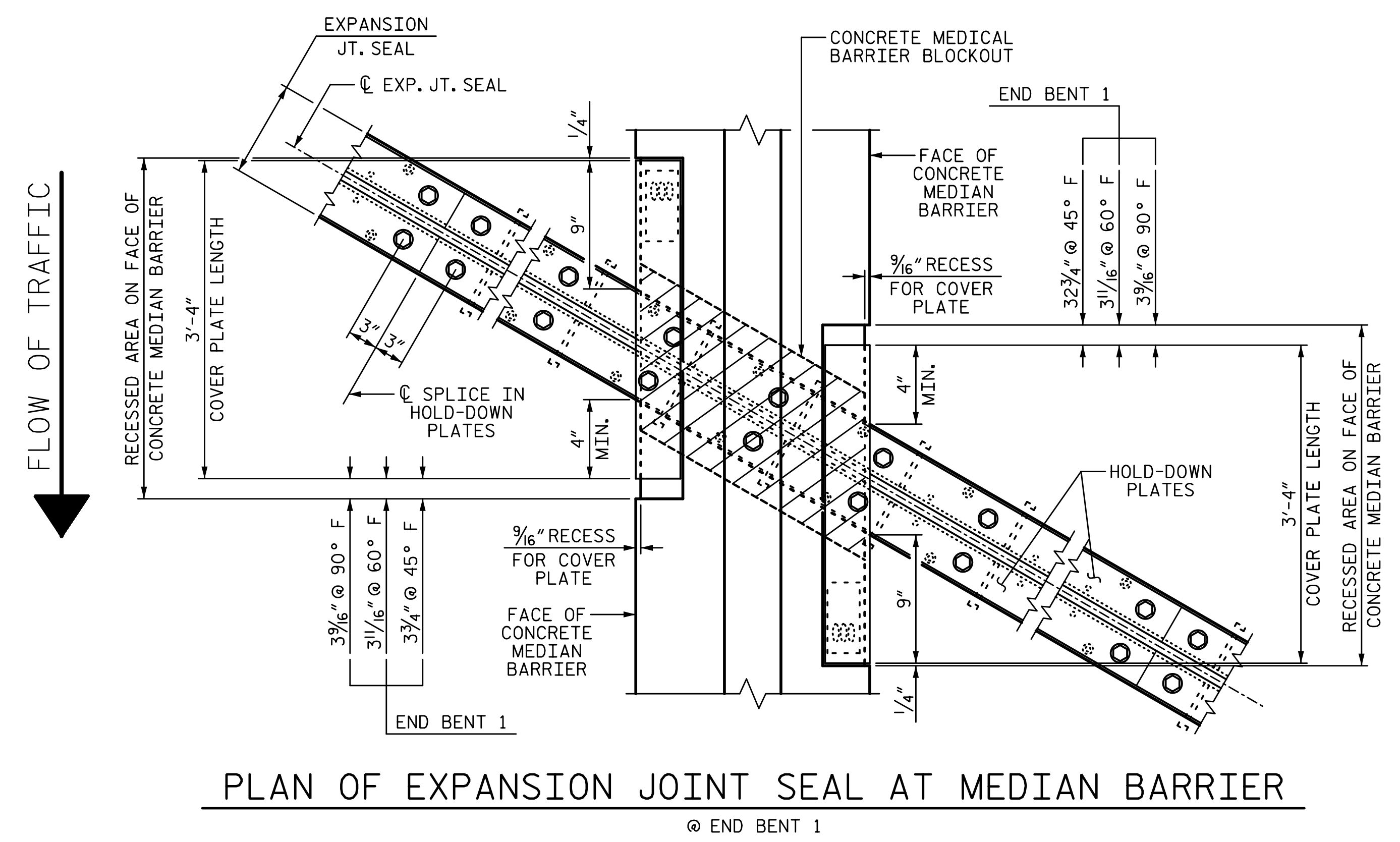


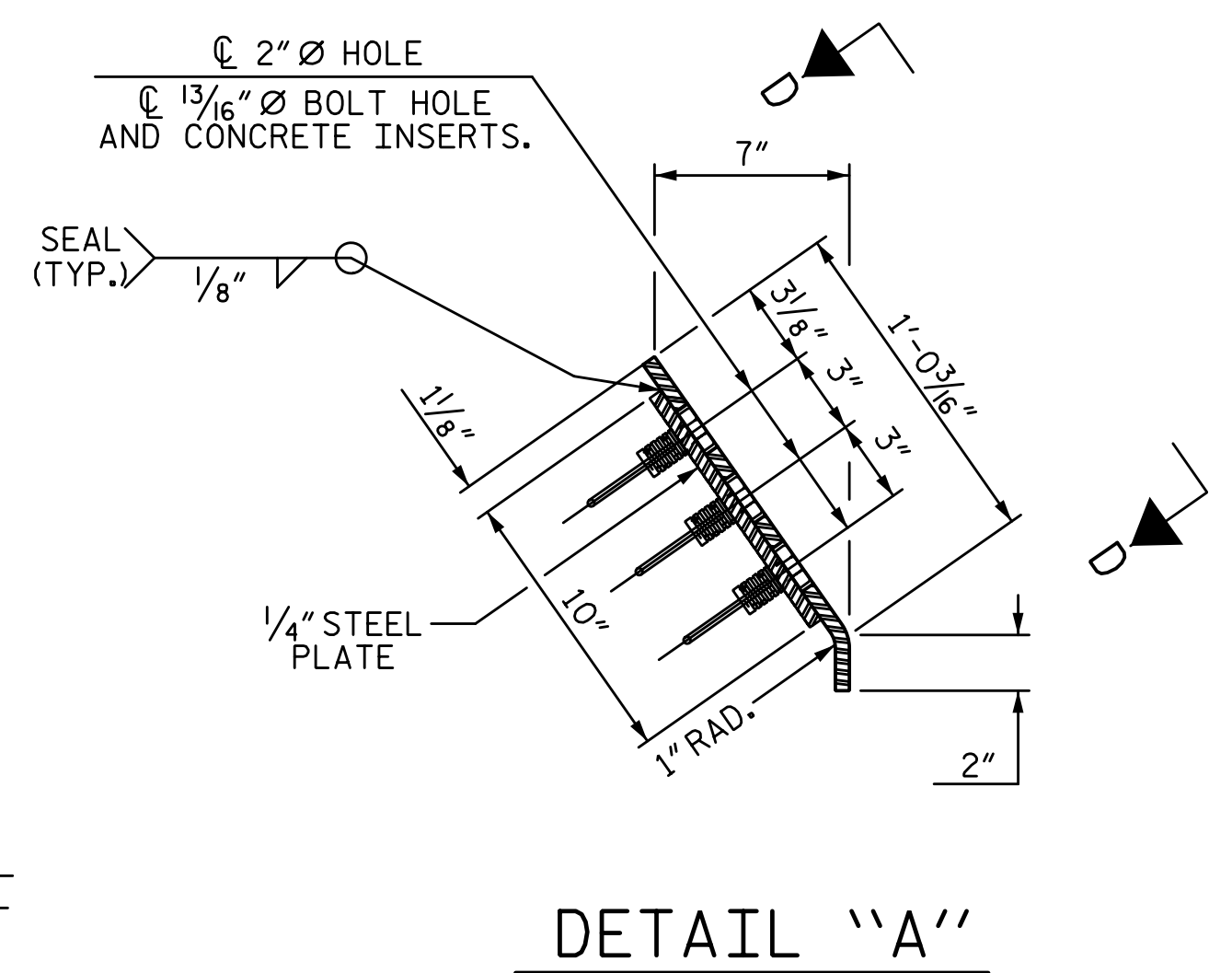
11/21/2022 10:18:58 AM P:\Raleigh\Projects\2018\Division 13 (SEA)\B-5869 (Burke 99)\Structures\Drawings\2\Final\2\B5869_SMU_JS_110099.dgn



SECTION THRU MEDIAN BARRIER NORMAL TO JOINT
@ END BENT 1

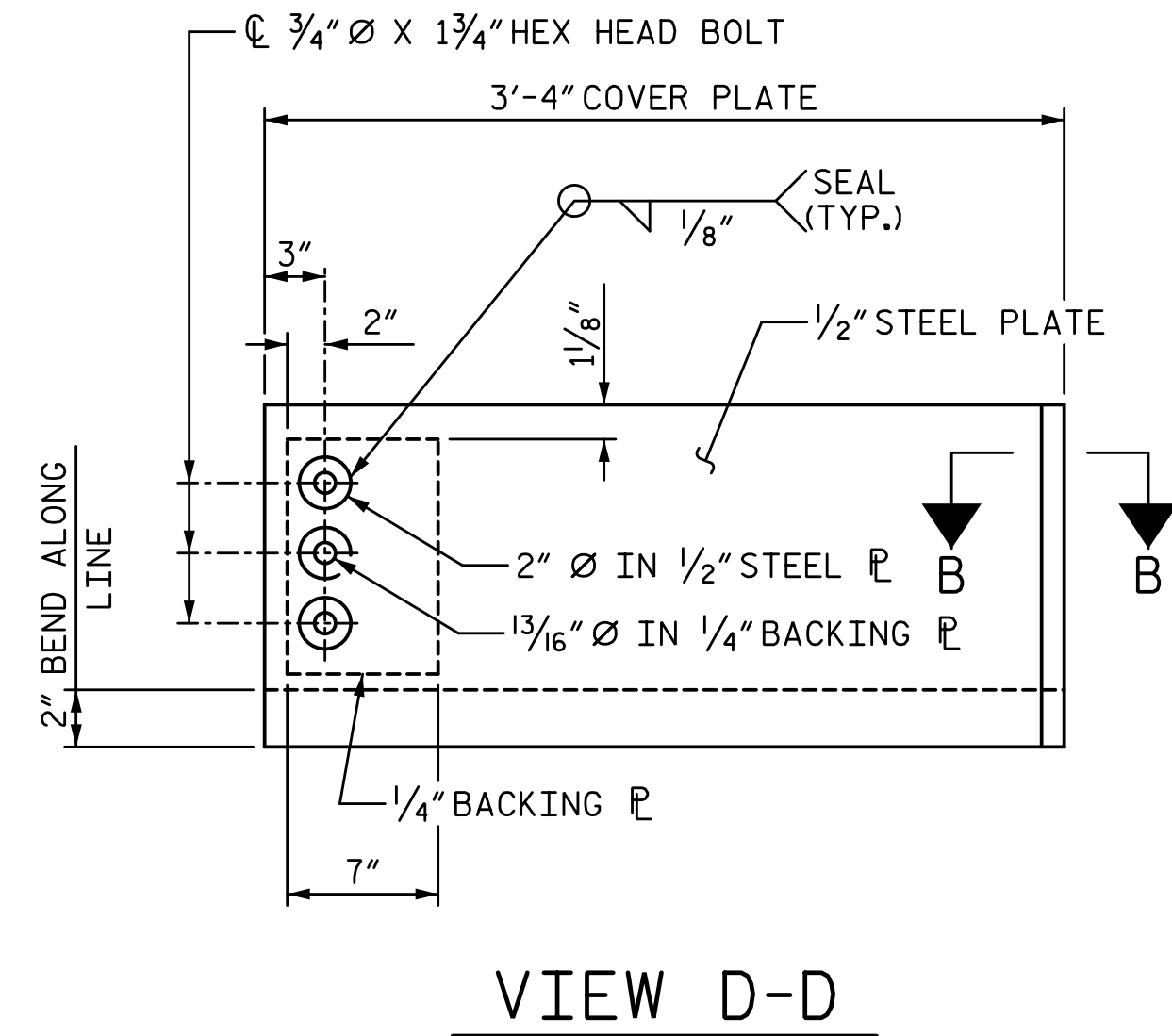


PLAN OF EXPANSION JOINT SEAL AT MEDIAN BARRIER
@ END BENT 1

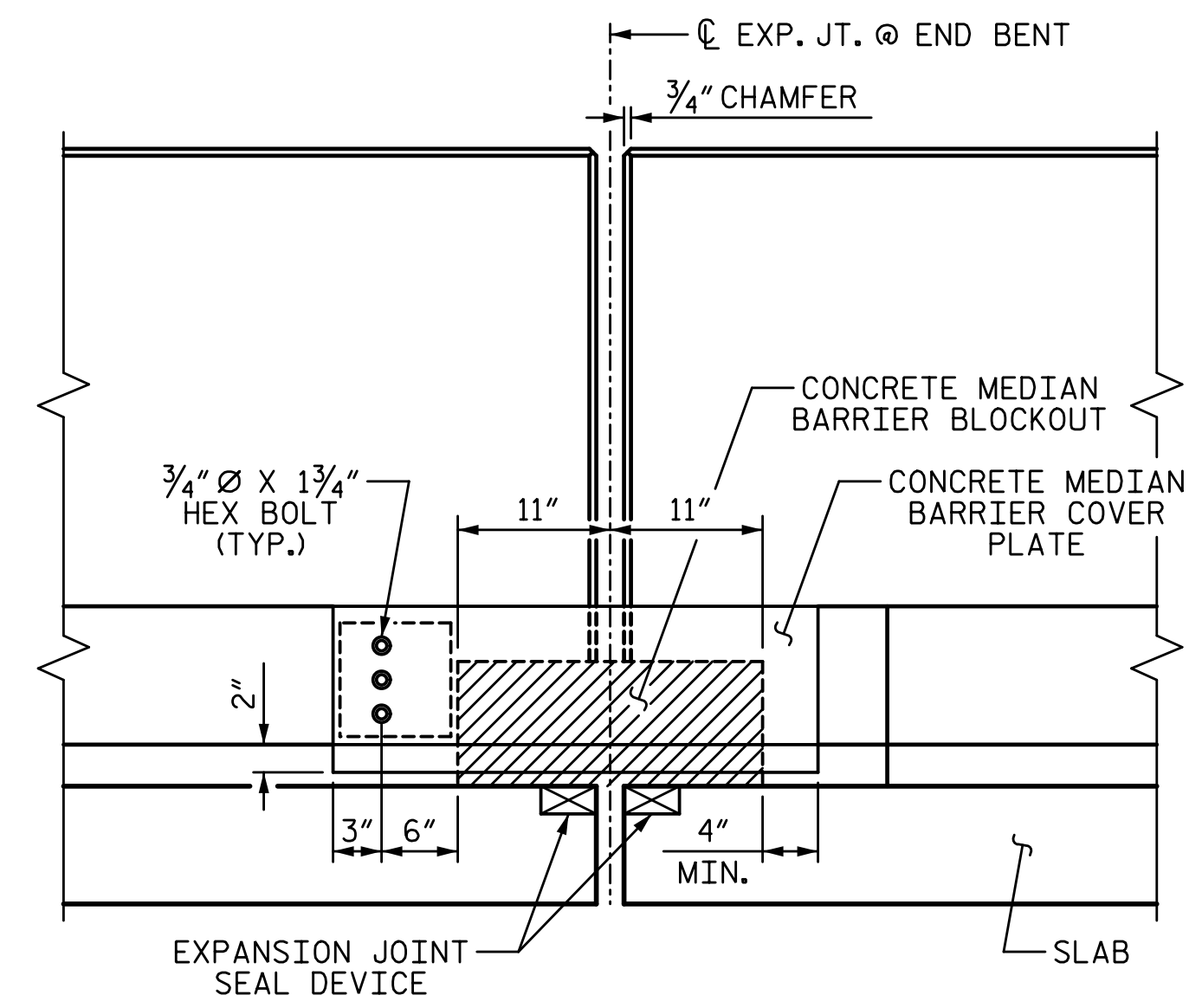


DETAIL "A"

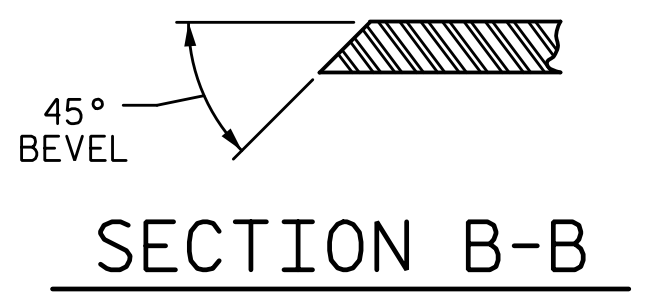
NOTES:
NO SEPERATE PAYMENT WILL BE MADE FOR FURNISHING AND INSTALLING THE COVER PLATES. THE ENTIRE COST OF THIS WORK SHALL BE INCLUDED IN THE LUMP SUM PRICE FOR "EXPANSION JOINT SEALS".



VIEW D-D



ELEVATION AT EXPANSION JOINT
@ END BENT 1

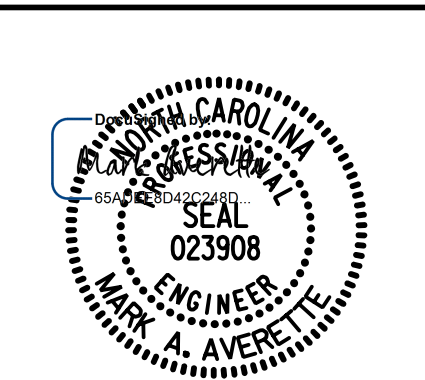


SECTION B-B

PROJECT NO. B-5869
BURKE COUNTY
STATION: 21+62.39 -L-

SHEET 5 OF 5

DRAWN BY: S.D. COOPER DATE: 3-2022
CHECKED BY: M. AVERETTE DATE: 3-2022
DESIGN ENGINEER OF RECORD: M. AVERETTE DATE: 3-2022



STATE OF NORTH CAROLINA
DEPARTMENT OF TRANSPORTATION
RALEIGH
SUPERSTRUCTURE
EXPANSION JOINT
SEAL DETAILS
FOR CONCRETE MEDIAN
BARRIER

REVISIONS						SHEET NO.
NO.	BY:	DATE:	NO.	BY:	DATE:	S-46
1			3			TOTAL SHEETS
2			4			72

DOCUMENT NOT CONSIDERED FINAL UNLESS ALL SIGNATURES COMPLETED