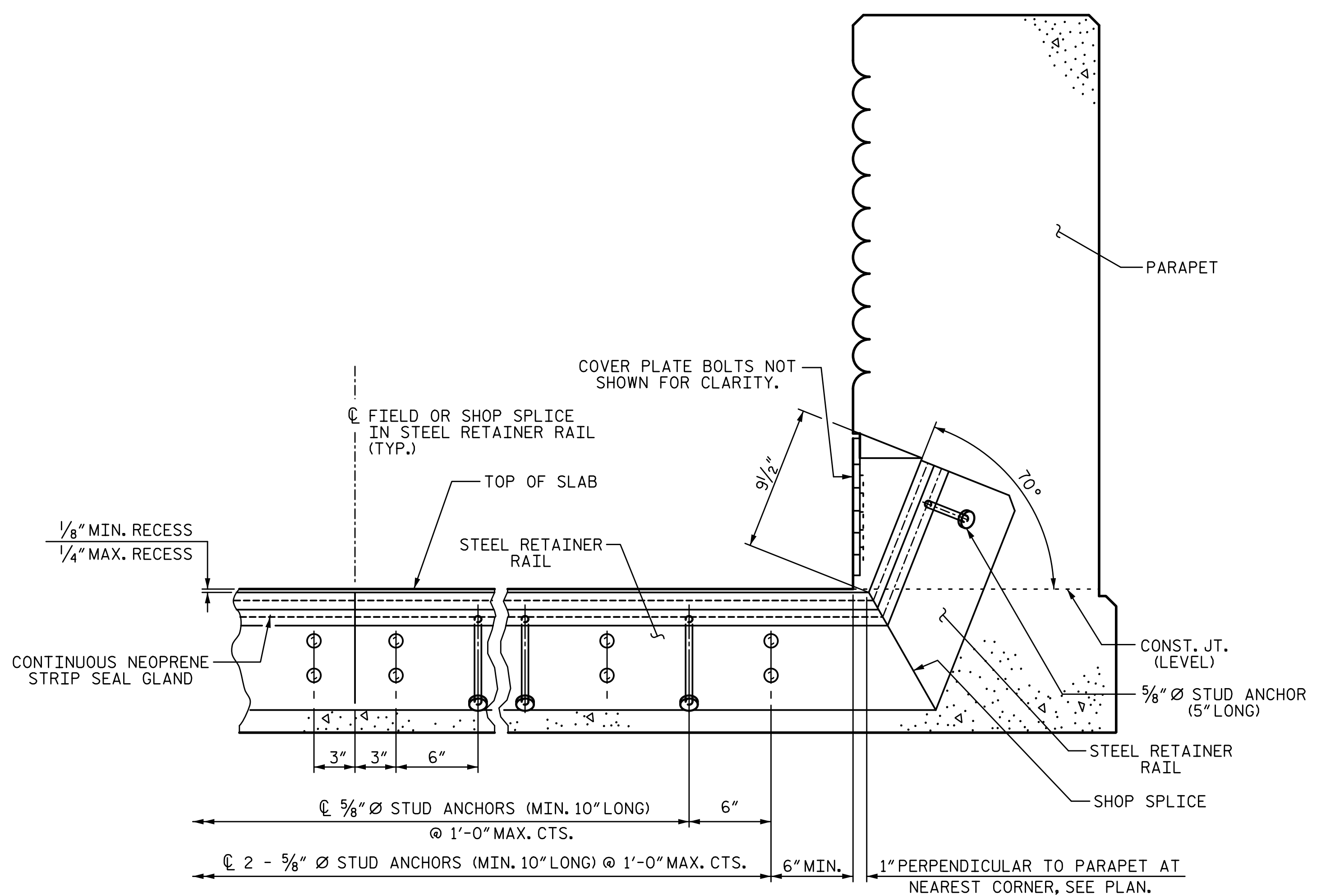
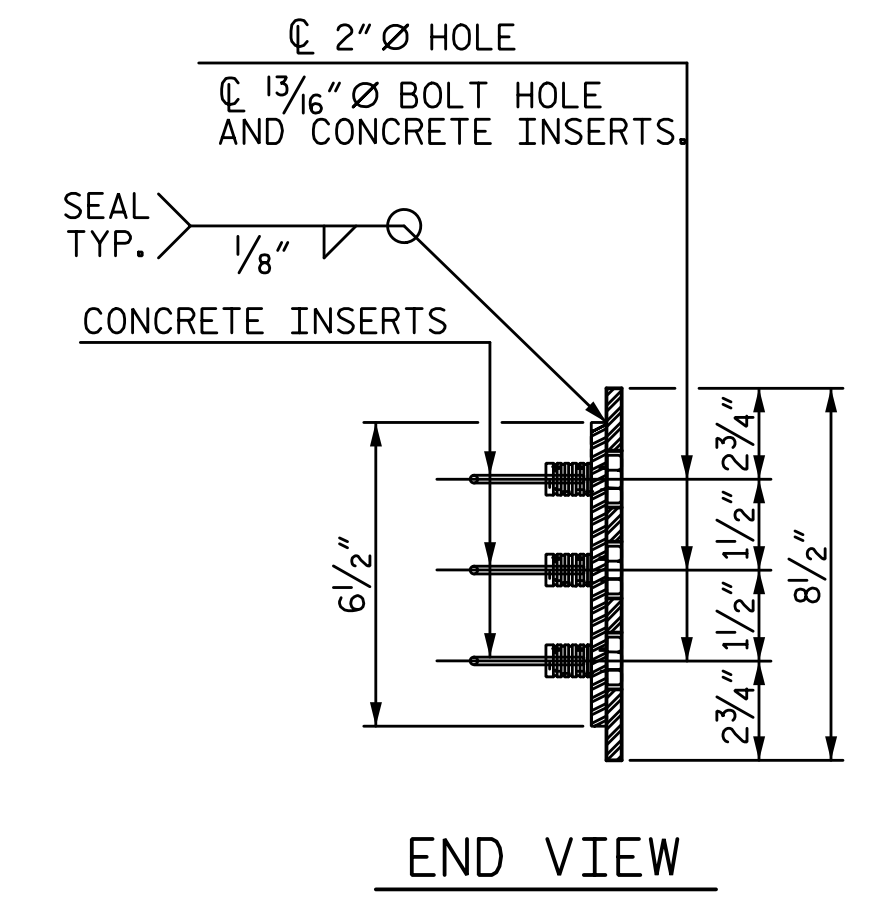


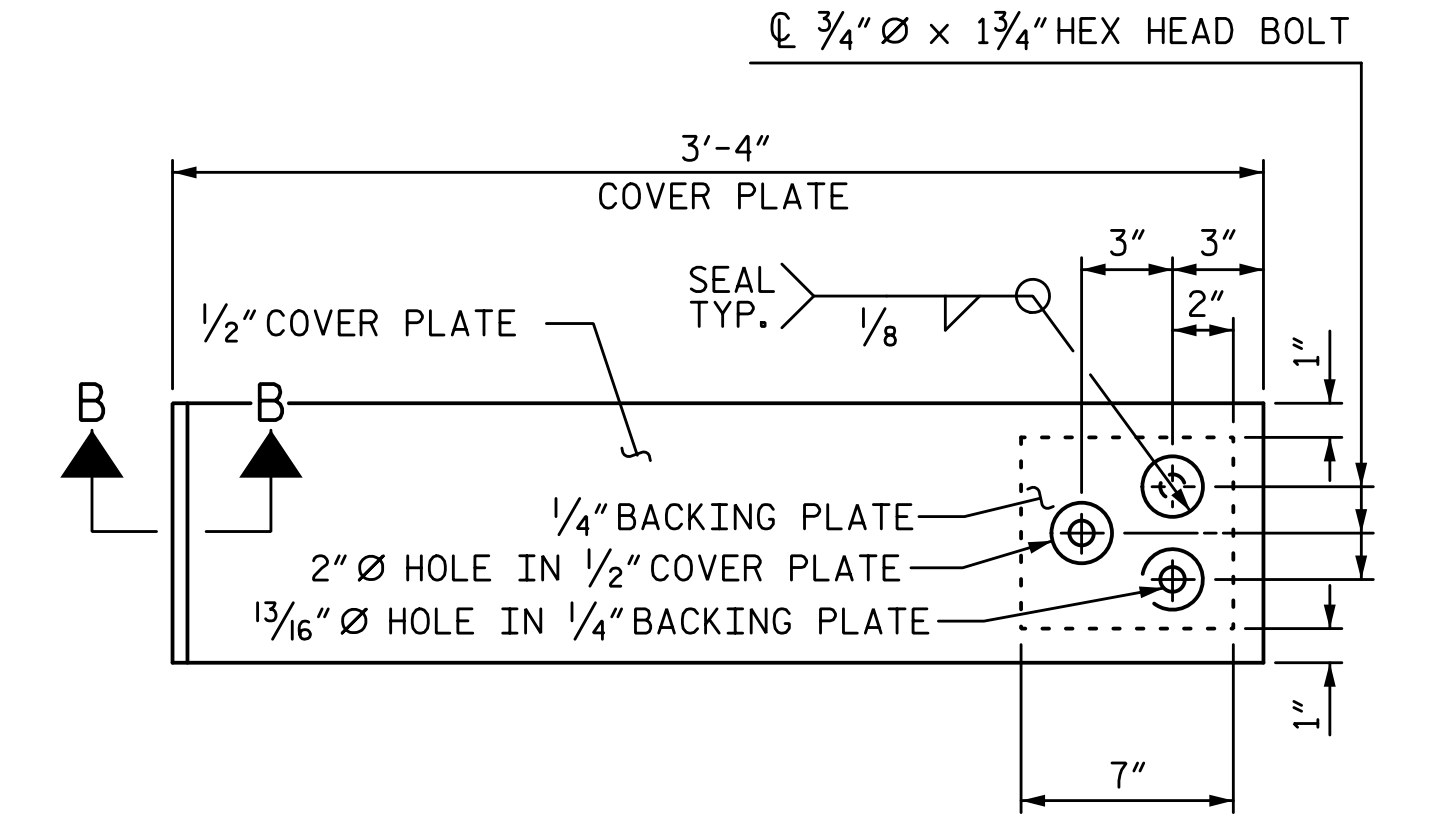
11/21/2022 10:18:56 AM P:\Raleigh\Projects\2018\Division 13 (SEA)\B-5869 (Burke 99)\Structures\Drawings\2\Final\2\B5869_SMU_J5_110099.dgn



SECTION THRU PARAPET NORMAL TO JOINT

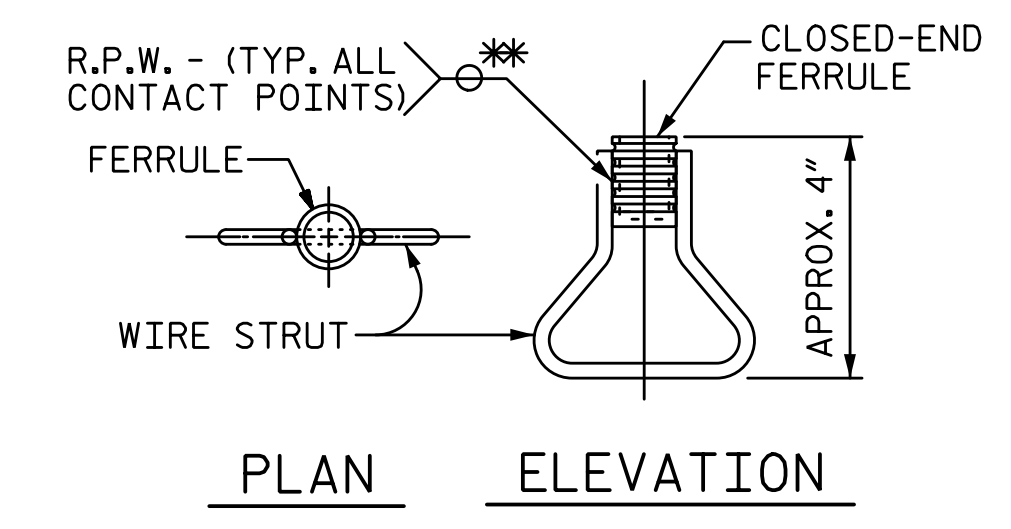


END VIEW



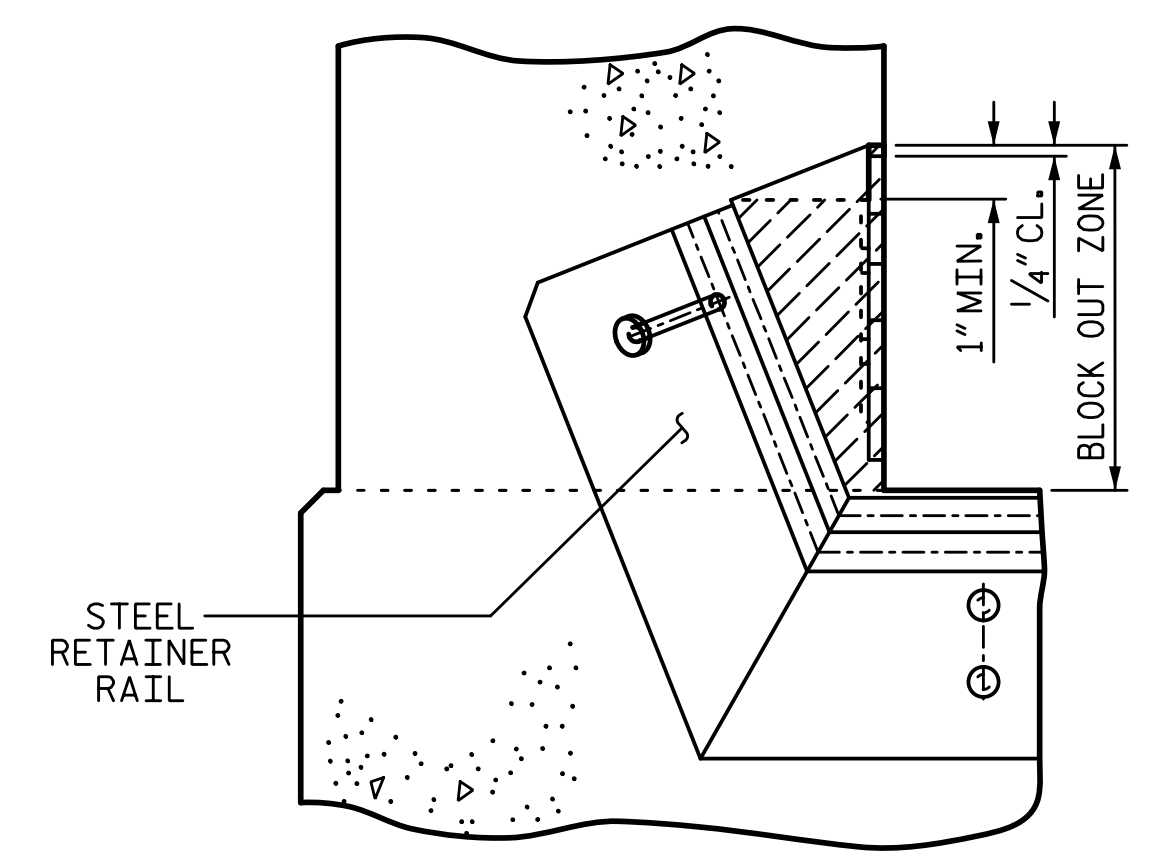
TYPE II - ELEVATION VIEW

COVER PLATE DETAILS

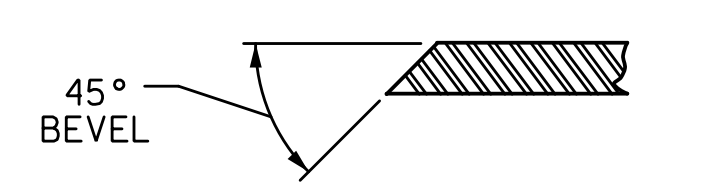


CONCRETE INSERT

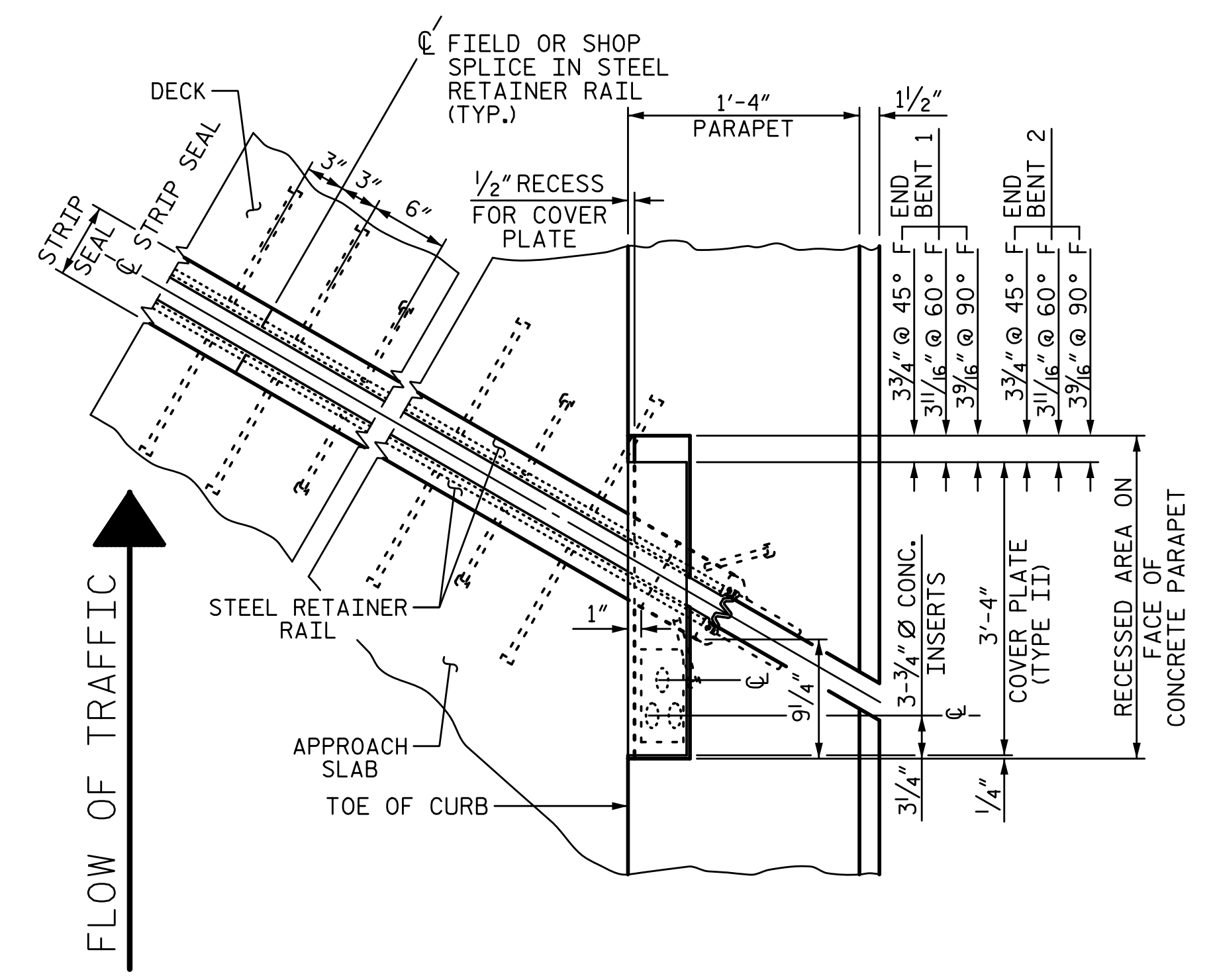
* EACH WELDED ATTACHMENT OF WIRE TO FERRULE SHALL DEVELOP THE TENSILE STRENGTH OF THE WIRE.



BLOCK OUT DETAIL



SECTION B-B



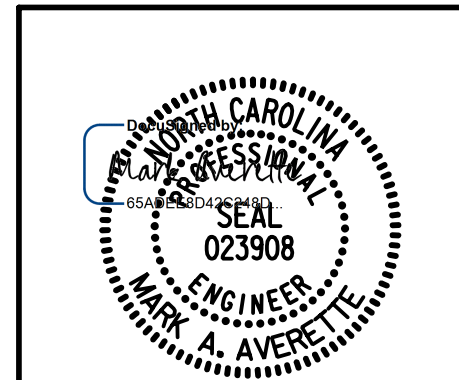
PLAN OF STRIP SEAL EXPANSION JOINT

END BENT 1 SHOWN, END BENT 2 SIMILAR

PROJECT NO. B-5869
 BURKE COUNTY
 STATION: 21+62.39 -L-

SHEET 2 OF 5

DRAWN BY: S.D. COOPER DATE: 3-2022
 CHECKED BY: M. AVERETTE DATE: 3-2022
 DESIGN ENGINEER OF RECORD: M. AVERETTE DATE: 3-2022



STATE OF NORTH CAROLINA
 DEPARTMENT OF TRANSPORTATION
 RALEIGH
 SUPERSTRUCTURE
 STRIP SEAL
 EXPANSION JOINT
 DETAILS FOR
 CONCRETE PARAPET

REVISIONS				SHEET NO.	
NO.	BY:	DATE:	NO.	BY:	DATE:
1			3		
2			4		

DOCUMENT NOT CONSIDERED FINAL
 UNLESS ALL SIGNATURES COMPLETED

TOTAL SHEETS: 72