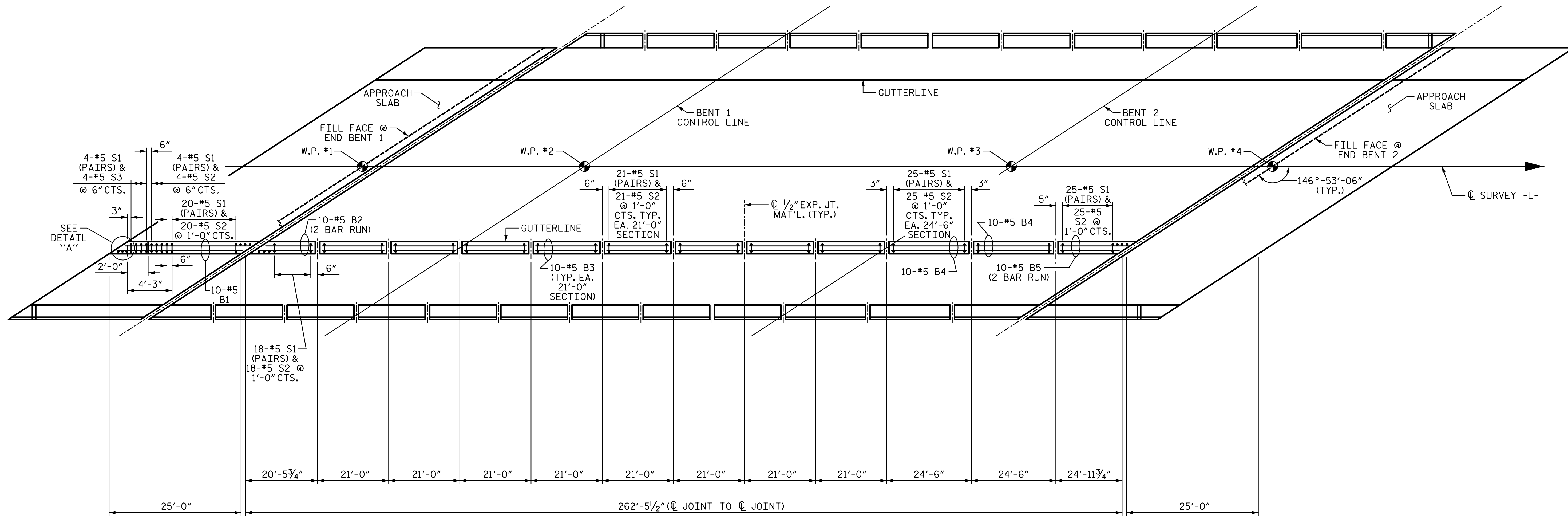
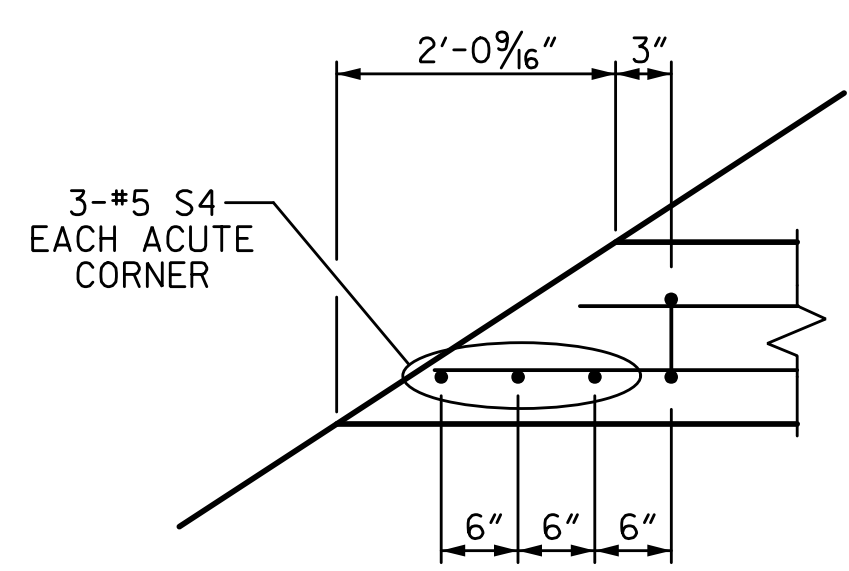


11/21/2022 10:18:50 AM P:\Raleigh\Projects\2018\Division 13 (SEA)\B-5869 (Burke 99)\Structures\Drawings\2\Final\2\B5869_SMU_BR_110099(2).dgn



PLAN

ALL DIMENSIONS ARE MEASURED ALONG THE OUTSIDE FACE OF VCBR.



DETAIL "A"
EACH ACUTE CORNER

PROJECT NO. B-5869
BURKE COUNTY
 STATION: 21+62.39 -L-

SHEET 1 OF 2

STATE OF NORTH CAROLINA
 DEPARTMENT OF TRANSPORTATION
 RALEIGH
 SUPERSTRUCTURE
 VERTICAL CONCRTE
 BARRIER RAIL



11/21/2022 | 7:43 AM EST

DRAWN BY: S.D. COOPER DATE: 3-2022
 CHECKED BY: M. AVERETTE DATE: 3-2022
 DESIGN ENGINEER OF RECORD: M. AVERETTE DATE: 3-2022

REVISIONS						SHEET NO.
NO.	BY:	DATE:	NO.	BY:	DATE:	S-35
1			3			TOTAL SHEETS
2			4			72

DOCUMENT NOT CONSIDERED FINAL UNLESS ALL SIGNATURES COMPLETED

LICENSURE NO. C-4434