

SIGN NUMBER: SP13107
 TYPE: STATIONARY
 QUANTITY: SEE PLANS

BACKG COLOR: Fluorescent Orange
 COPY COLOR: Black

DESIGN BY: B. RASHID
 PROJECT ID:

CHECKED BY: AIA
 DIV:

DATE: Apr 26, 2013

2023CPT.13.02.10121, TMP-5
 2023CPT.13.02.20121

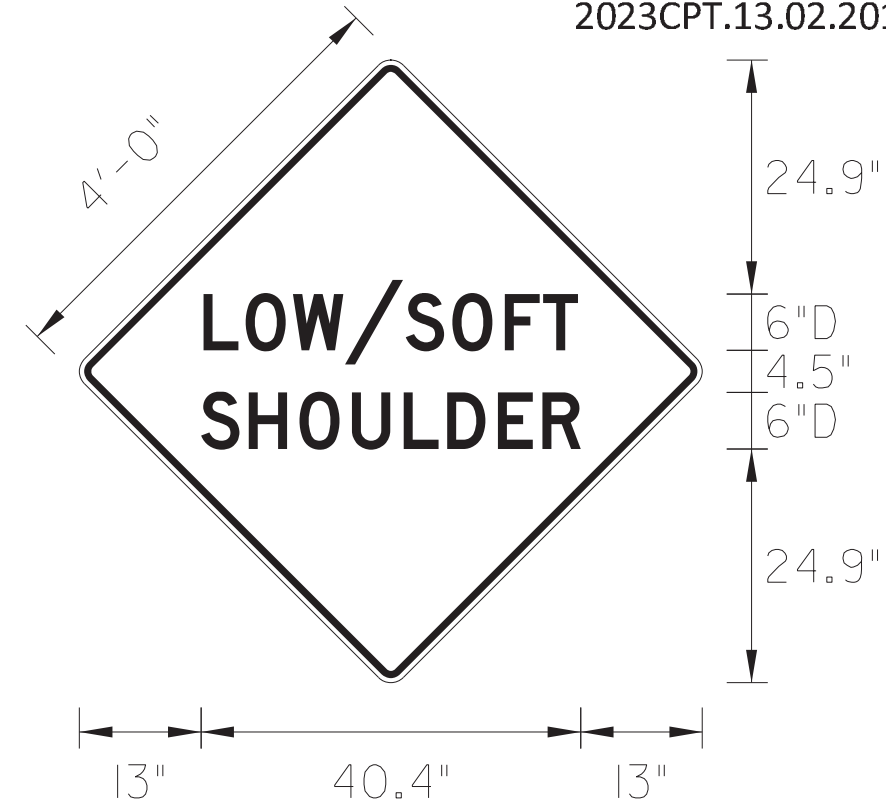
SIGN WIDTH: 4'-0"
 HEIGHT: 4'-0"
 TOTAL AREA: 16.00 Sq.Ft.

SYMBOL	X	Y	WID	HT

BORDER TYPE: INSET
 RECESS: 0.75"
 WIDTH: 1.25"
 RADII: 3"

MAT'L: 0.080" (2.0 mm) ALUMINUM

NO. Z BARS:
 LENGTH:



Spacing Factor is 1 unless specified otherwise

USE NOTES: 1,2

- Legend and border shall be direct applied black non-reflective sheeting.
- Background shall be NC GRADE B fluoesent orange retroreflective sheeting.

LETTER POSITIONS

Letter spacings are to start of next letter											Series/Size	
	L	O	W	/	S	O	F	T				Text Length
	13.2	4.5	5	5.5	6.5	5	5.6	4.1	3.7	13.2		D 2000 39.9
		S	H	O	U	L	D	E	R			D 2000 40.4
	13	5.1	5.4	5.6	5.5	4.6	5.4	4.7	4.1	13		