

MFG _____	MFG. DATE: MM/YY _____
SHAFT D/T/L/Y _____	_____
ARM-A D/T/L/Y _____	_____
ARM-B D/T/L/Y _____	_____
A.B. DIA./B.C./L/Y _____	_____
NCDOT SIG. INV. NO. _____	_____
NCDOT POLE NO. _____	_____

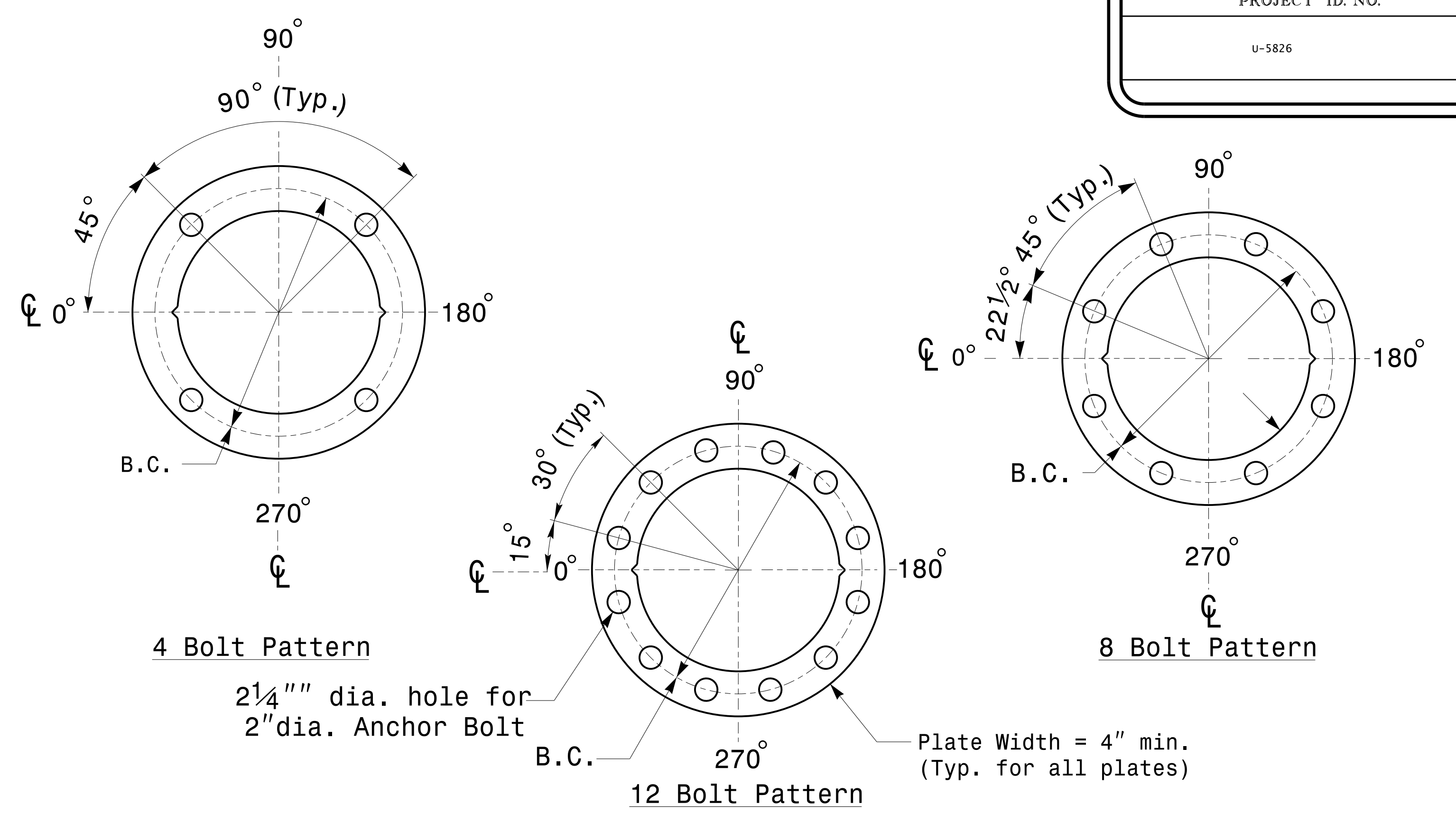
MFG _____	MFG. DATE:MM/YY _____
SECTION D/T/L/Y _____	_____
NCDOT SIG. INV. NO. _____	_____
NCDOT POLE NO. _____	_____

**Shaft I.D. Tag**  
(Provide on Shaft of Strain Poles and Mast Arm Poles Shaft)

**Arm I.D. Tag**  
(Provide on each section of a multi-section mast arm.)

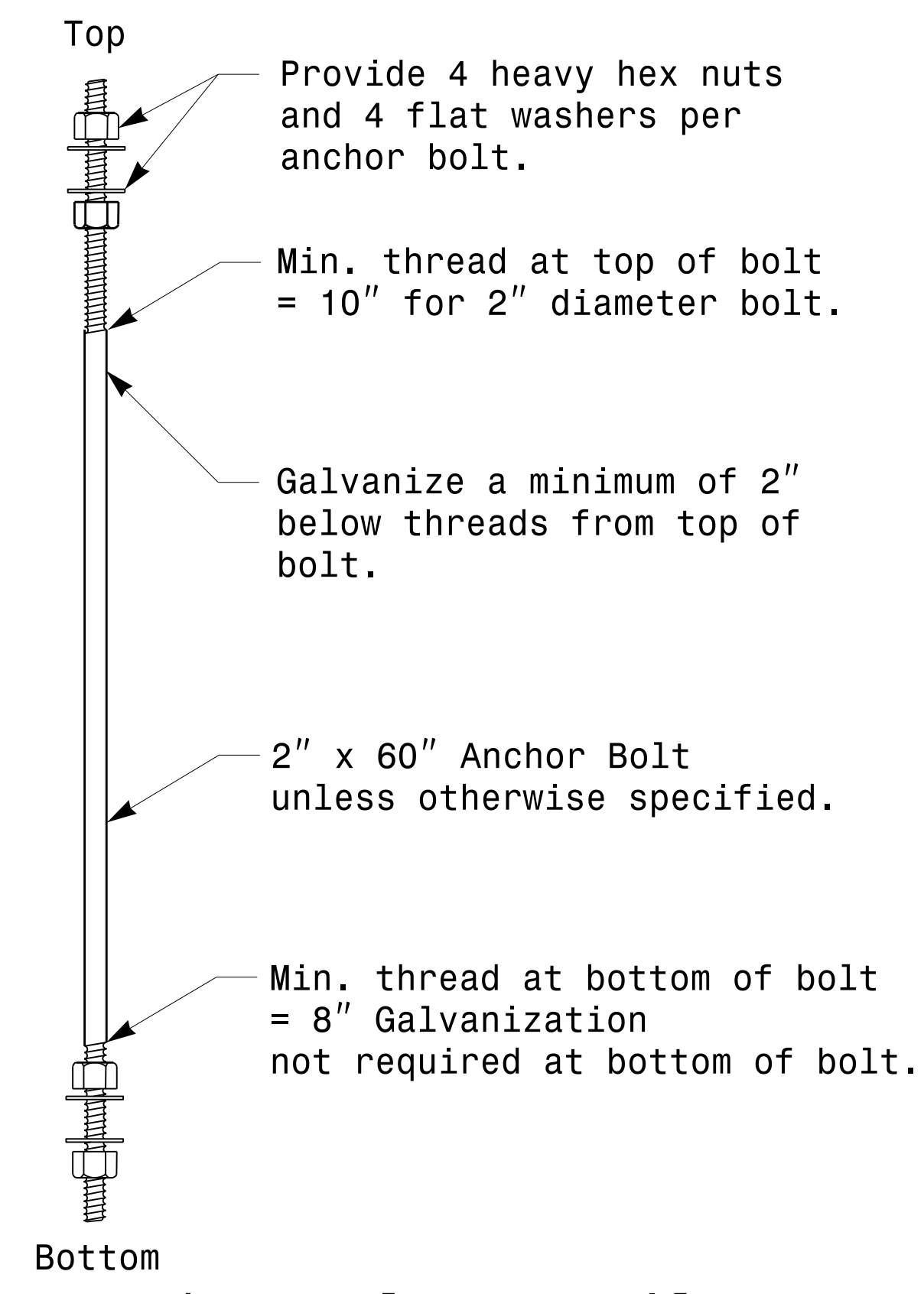
- Notes:
- 1) D= Diameter, T= Thickness, L= Length, Y= Yield Strength
  - 2) A.B. = Anchor Bolt
  - 3) B.C. = Bolt Circle of Anchor Bolts
  - 4) If Custom Design, use "NCDOT STANDARD" line for Signal Inv. Number and pole I.D. number
  - 5) See drawing M3 and M4 for mounting positions of I.D. tags.

**Identification Tag Details**

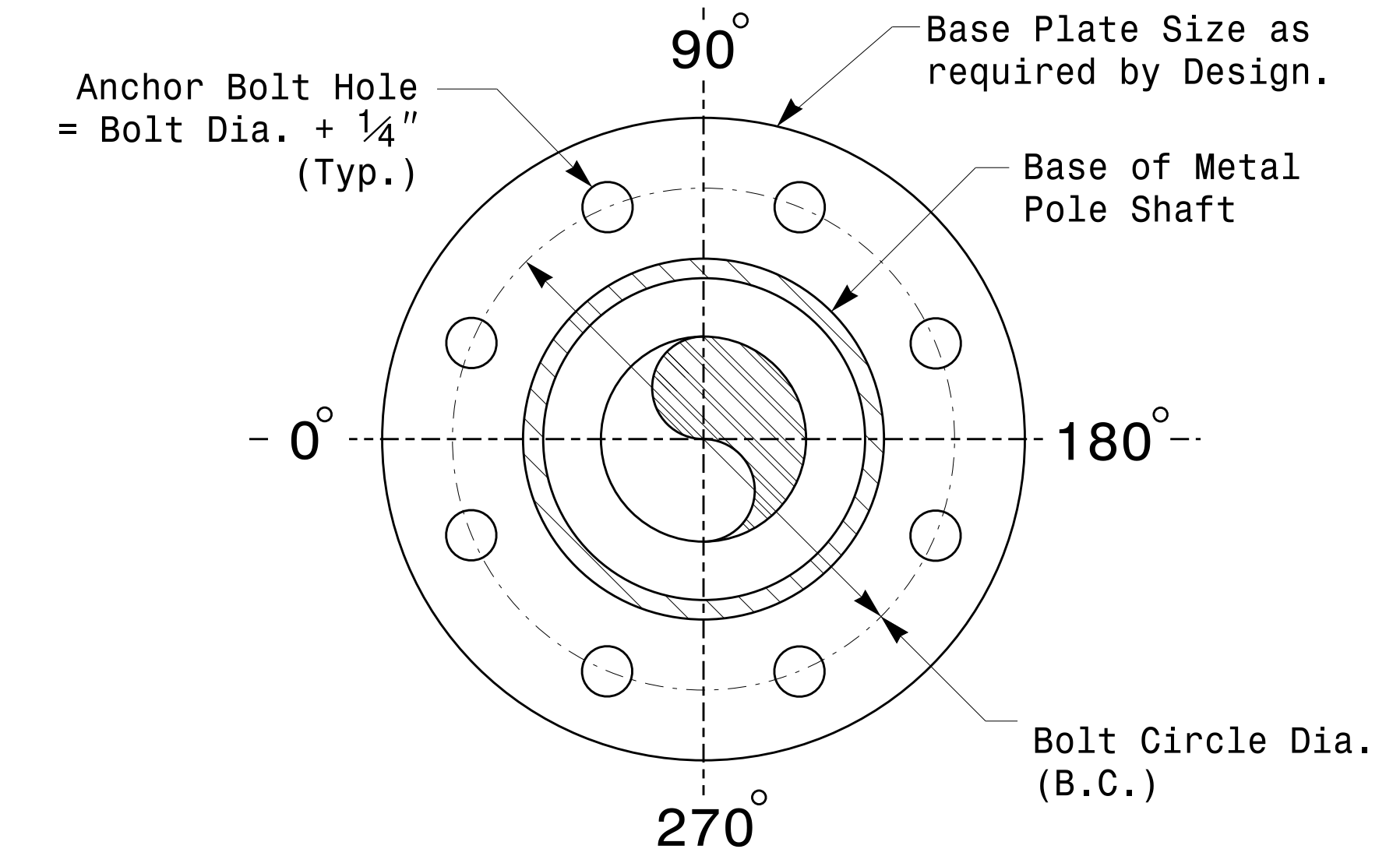


Construct Templates and Plates from 1/4" min. thick Steel. Galvanizing is not required.

**Base Plate Template and Anchor Bolt Lock Plate Details**



**Anchor Bolt Detail**



Note: Base plate may be circular, octagonal, square or rectangular in shape.

**Typical Base Plate Detail**

Prepared in the Offices of:

750 N. Greenfield Pkwy, Garner, NC 27529

Typical Fabrication Details For All Metal Poles	
PLAN DATE: OCTOBER 2017	DESIGNED BY: C.F. ANDREWS
PREPARED BY: N. BITTING	REVIEWED BY: D.C. SARKAR
REVISIONS	INIT. DATE

SEAL

DocuSign by: *Dibesh C. Sarkar*

10/11/2017 DATE

11-01-2017 08:30 136504115 Signal&Sgnl Design Section Eastern RegionM Sheets20162014 Sig.M2 Std. Fabrication Detail-All Poles.dgn