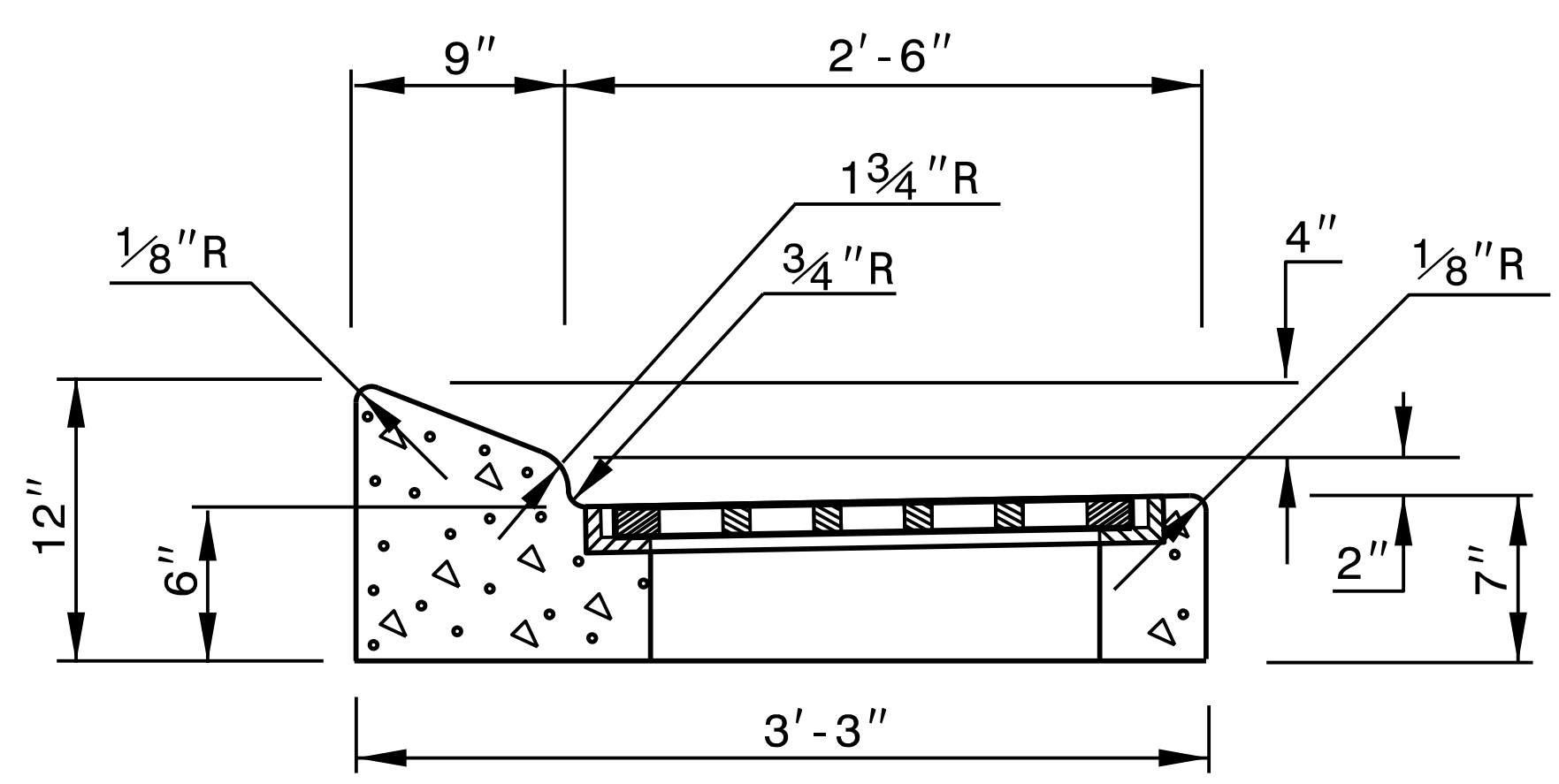
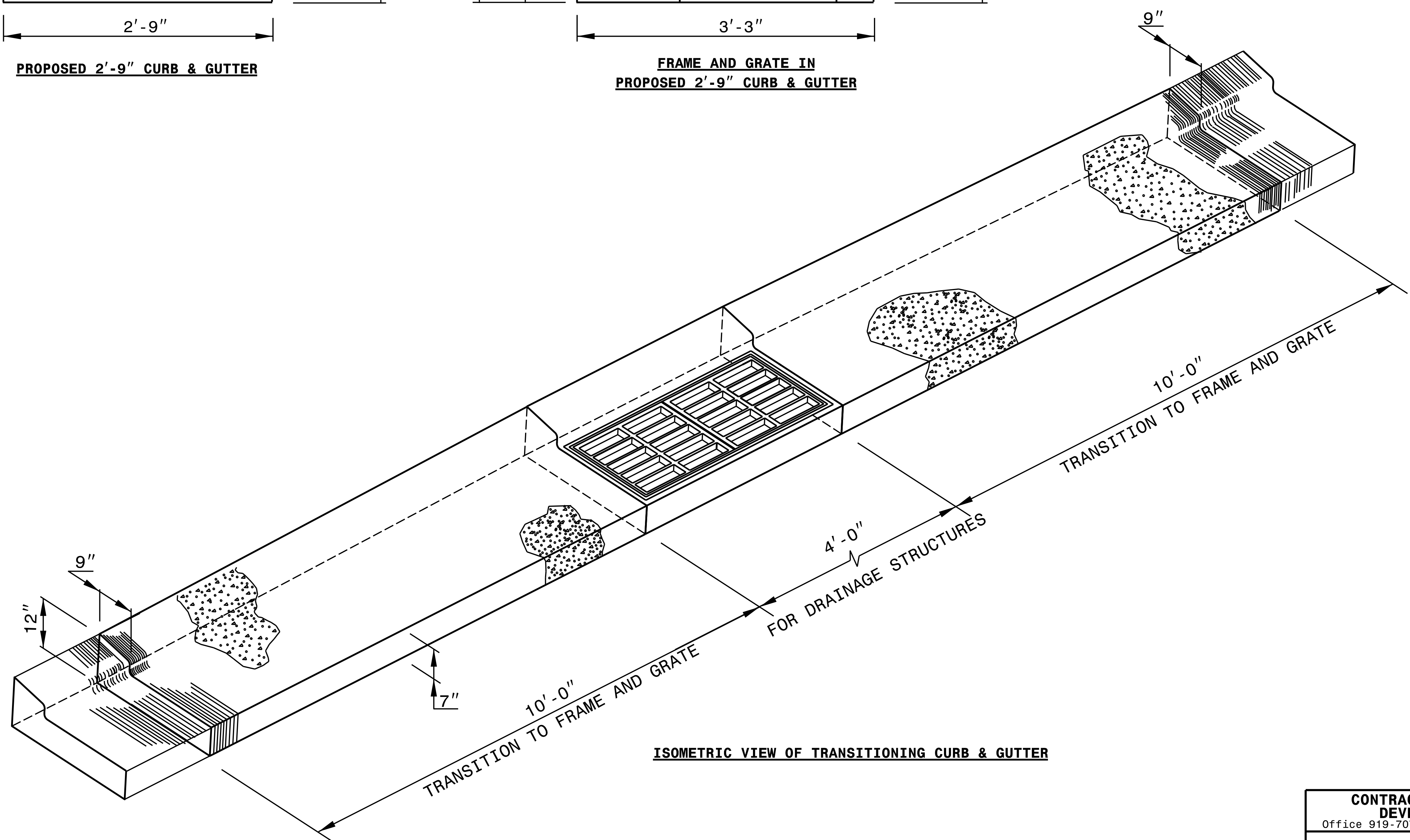


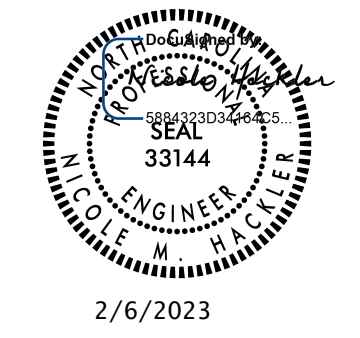
PROPOSED 2'-9" CURB & GUTTER



FRAME AND GRATE IN PROPOSED 2'-9" CURB & GUTTER



ISOMETRIC VIEW OF TRANSITIONING CURB & GUTTER



2/6/2023

DOCUMENT NOT CONSIDERED FINAL
UNLESS ALL SIGNATURES COMPLETED

**CONTRACT STANDARDS AND
DEVELOPMENT UNIT**
Office 919-707-6950 FAX 919-250-4119

**DETAIL OF 2'-9"
TO FRAME AND GRATE**

ORIGINAL BY: _____	DATE: _____
MODIFIED BY: _____	DATE: _____
CHECKED BY: _____	DATE: _____
FILE SPEC.: <u>kkempf/english/curb gutter transition.dgn</u>	