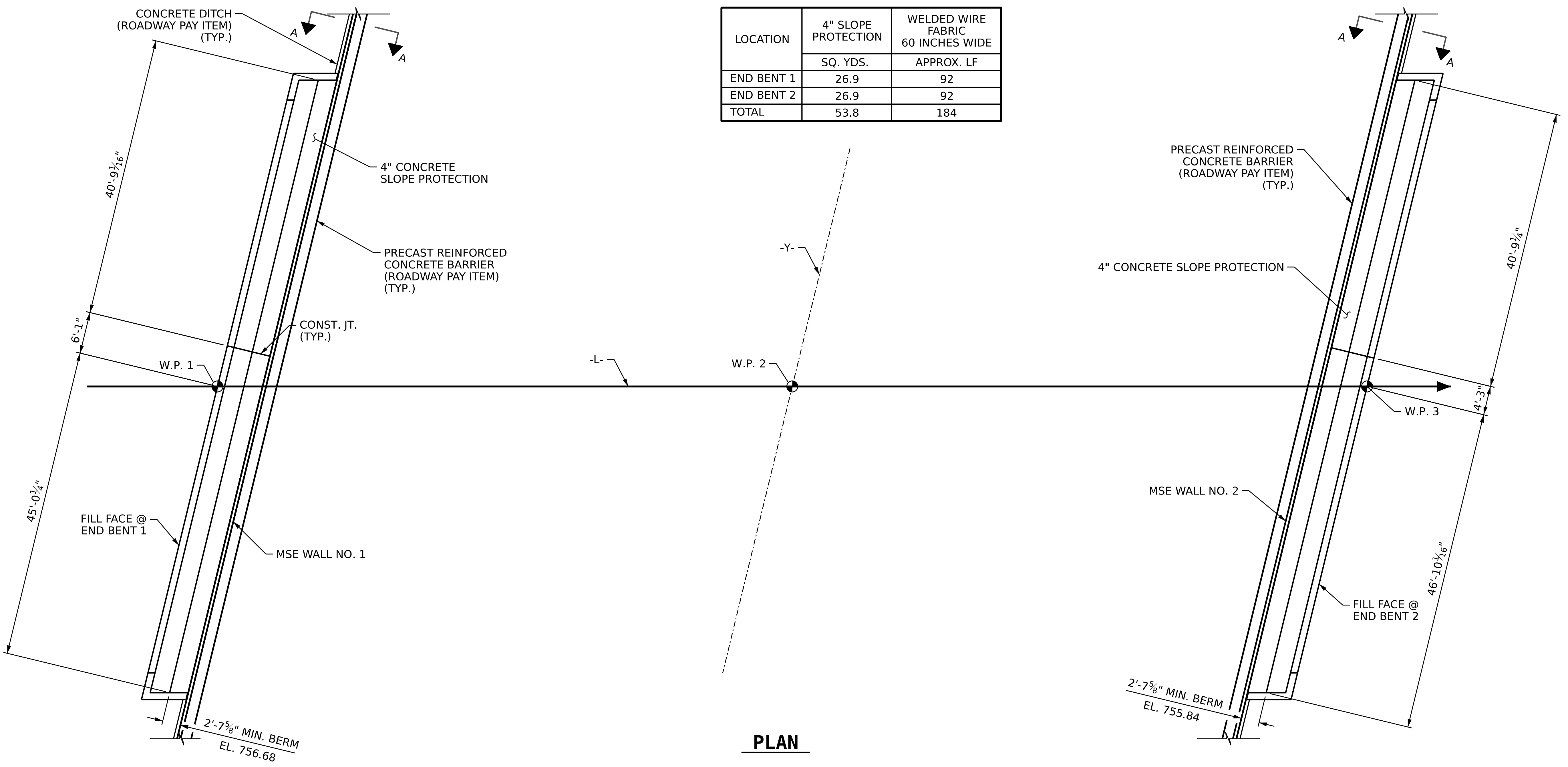
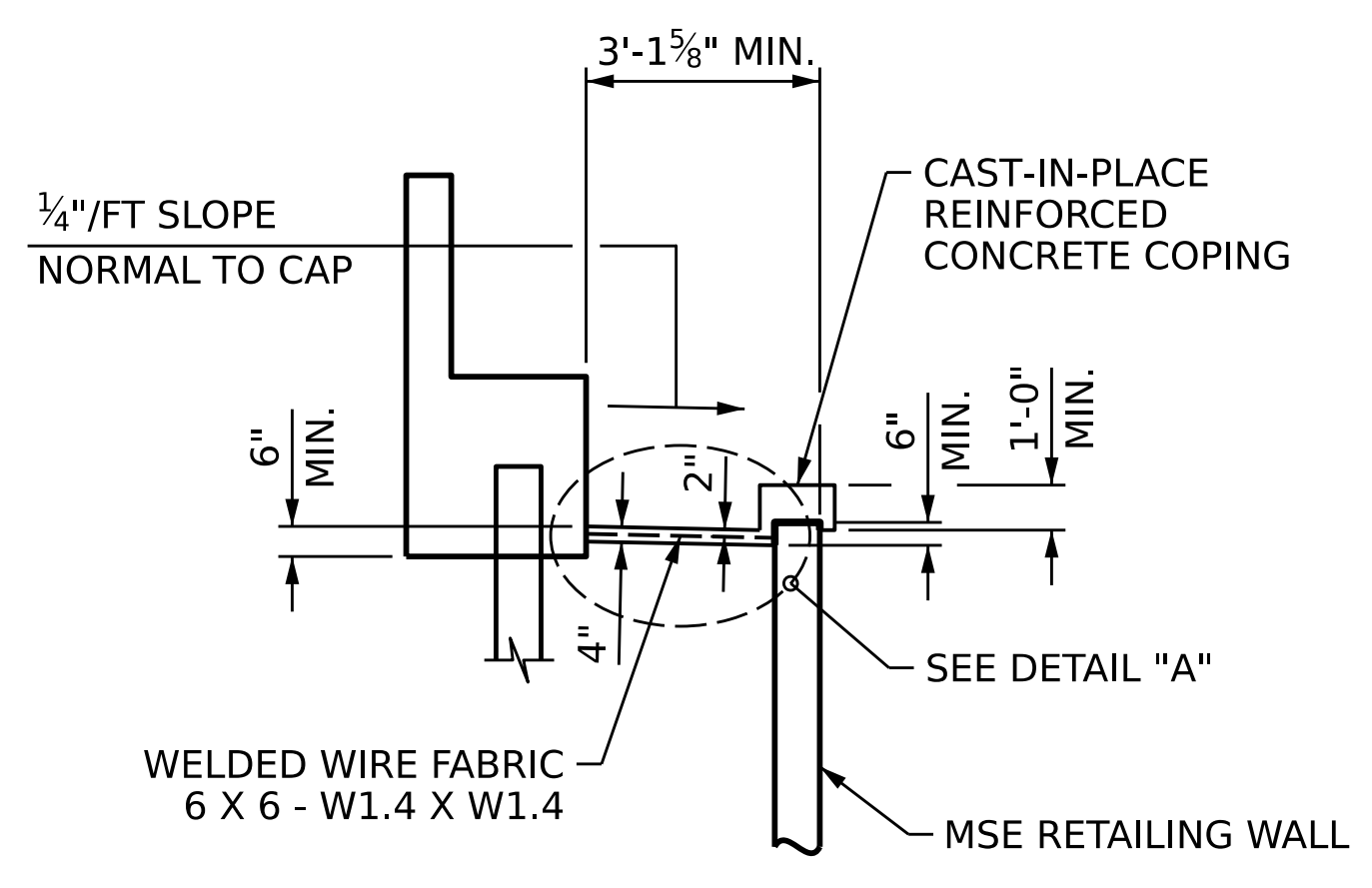


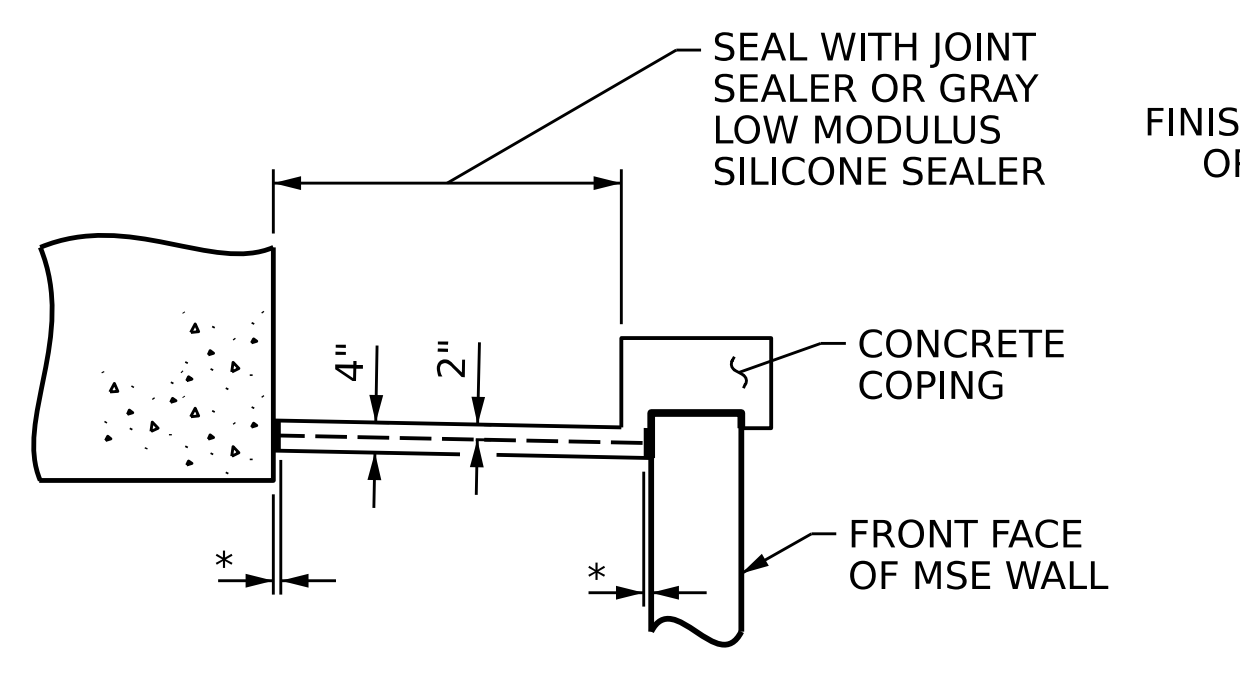
LOCATION	4" SLOPE PROTECTION	WELDED WIRE FABRIC 60 INCHES WIDE
	SQ. YDS.	APPROX. LF
END BENT 1	26.9	92
END BENT 2	26.9	92
TOTAL	53.8	184



PLAN

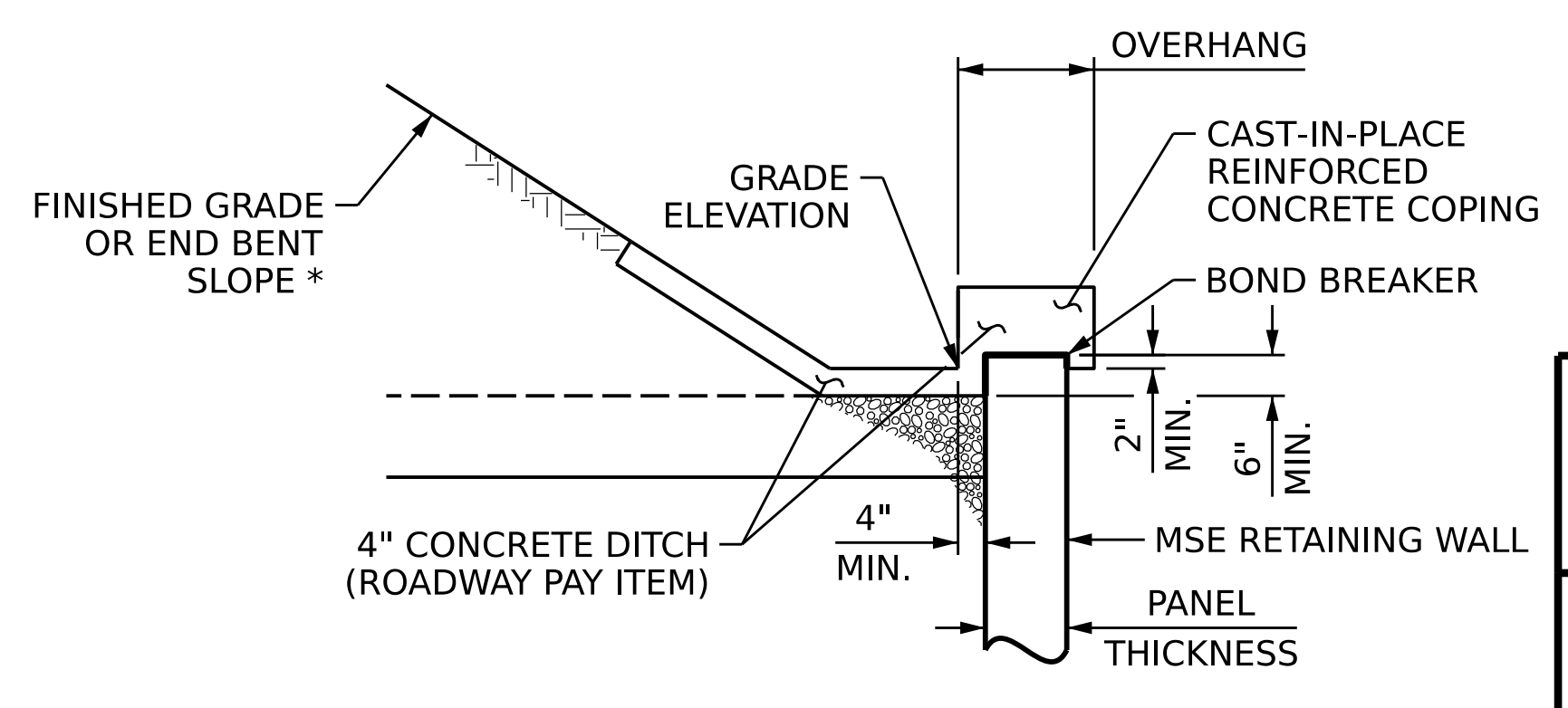


SECTION ALONG -L-



DETAIL "A"

* 1" EXP. JT. MAT'L (PLACE DEBONDING TAPE ON TOP OF EXP. JT. MAT'L)



SECTION A-A

PROJECT NO. BR-0043
ROCKINGHAM COUNTY
 STATION: POT 25+80.88 -L-

AECOM
AECOM TECHNICAL SERVICES OF NC, INC.
 5430 WADE PARK BOULEVARD, SUITE 200
 RALEIGH, NC 27607
 (919) 854-6200 www.aecom.com
 AECOM License No. F02462

DocuSigned by:
John C. Morrison 1/31/2023
A2FDE142C82F44B...

STATE OF NORTH CAROLINA
 DEPARTMENT OF TRANSPORTATION
 RALEIGH

SLOPE PROTECTION

REVISIONS						SHEET NO. S-42
NO.	BY:	DATE:	NO.	BY:	DATE:	
1			3			TOTAL SHEETS 45
2			4			

DRAWN BY : <u>B.T. LEROY</u>	DATE : <u>11/2022</u>
CHECKED BY : <u>J.C. MORRISON</u>	DATE : <u>11/2022</u>
DESIGN ENGINEER OF RECORD : <u>J.C. MORRISON</u>	DATE : <u>12/2022</u>

DOCUMENT NOT CONSIDERED FINAL UNLESS ALL SIGNATURES COMPLETED