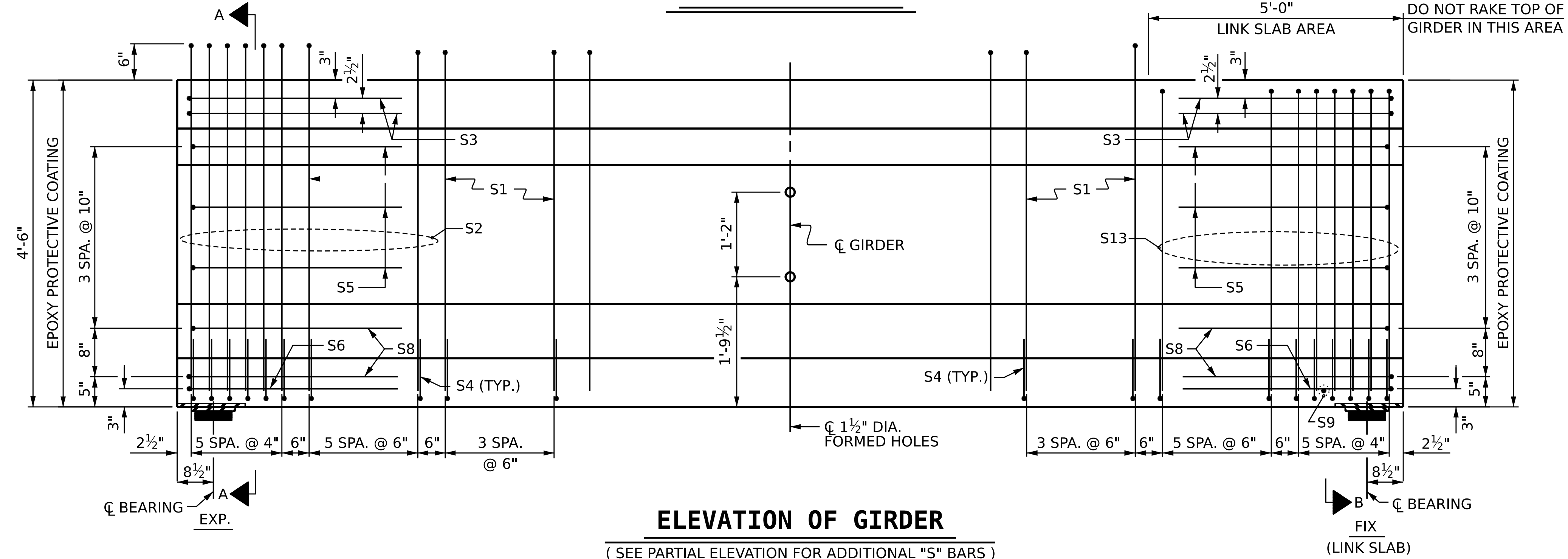
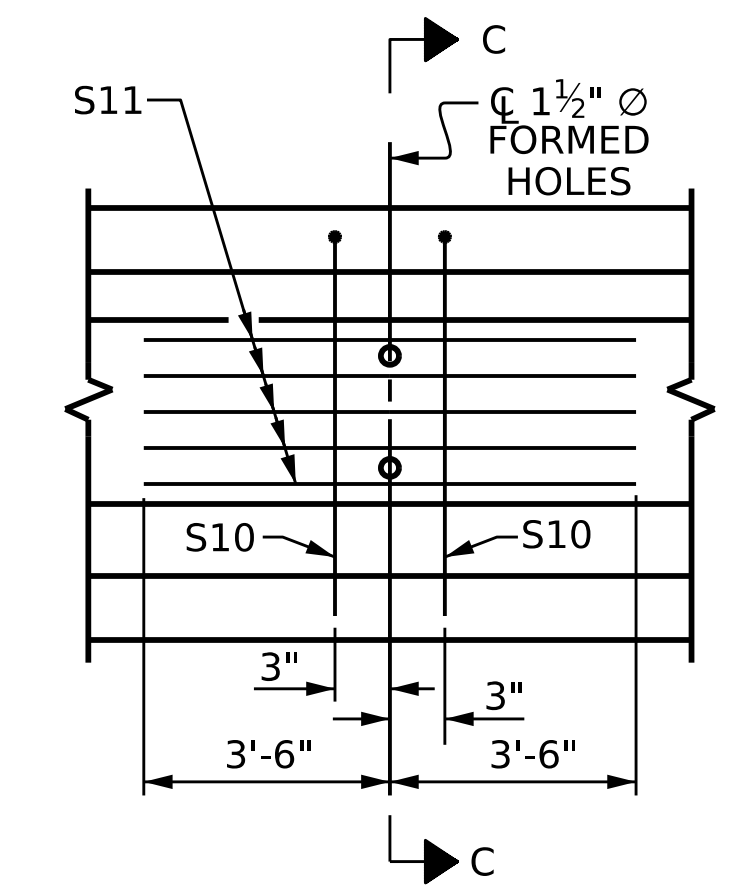
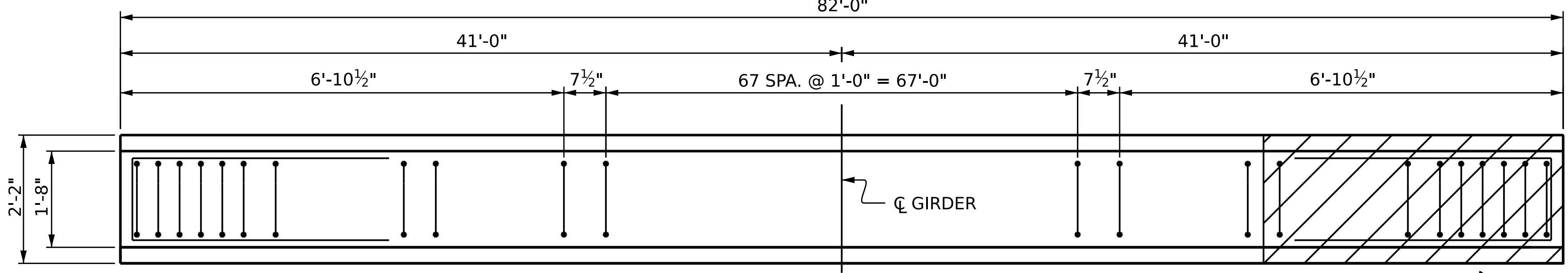
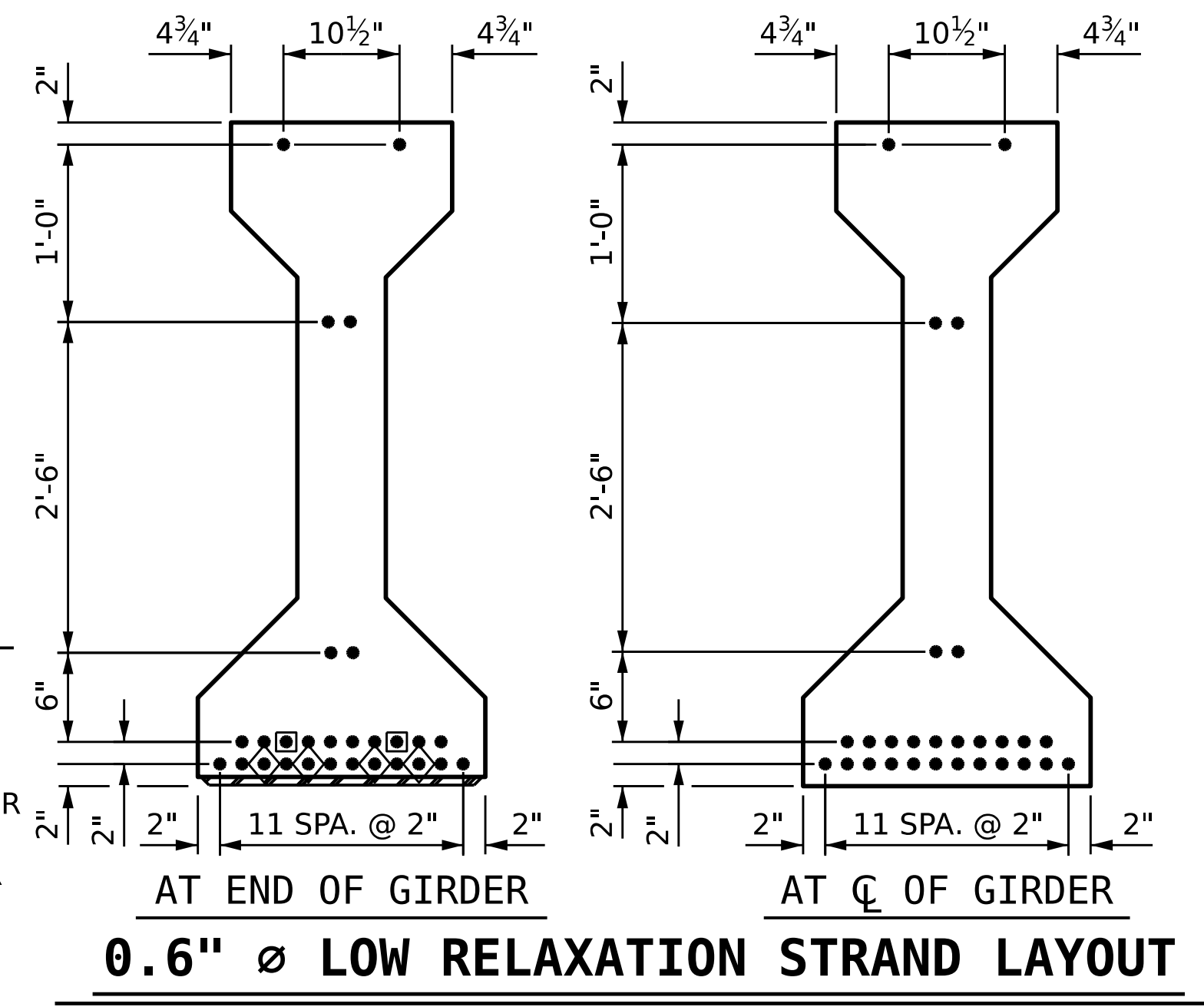


•  $1\frac{1}{2}$ "  $\varnothing$  FORMED HOLE (SEE FRAMING PLAN FOR LOCATION)

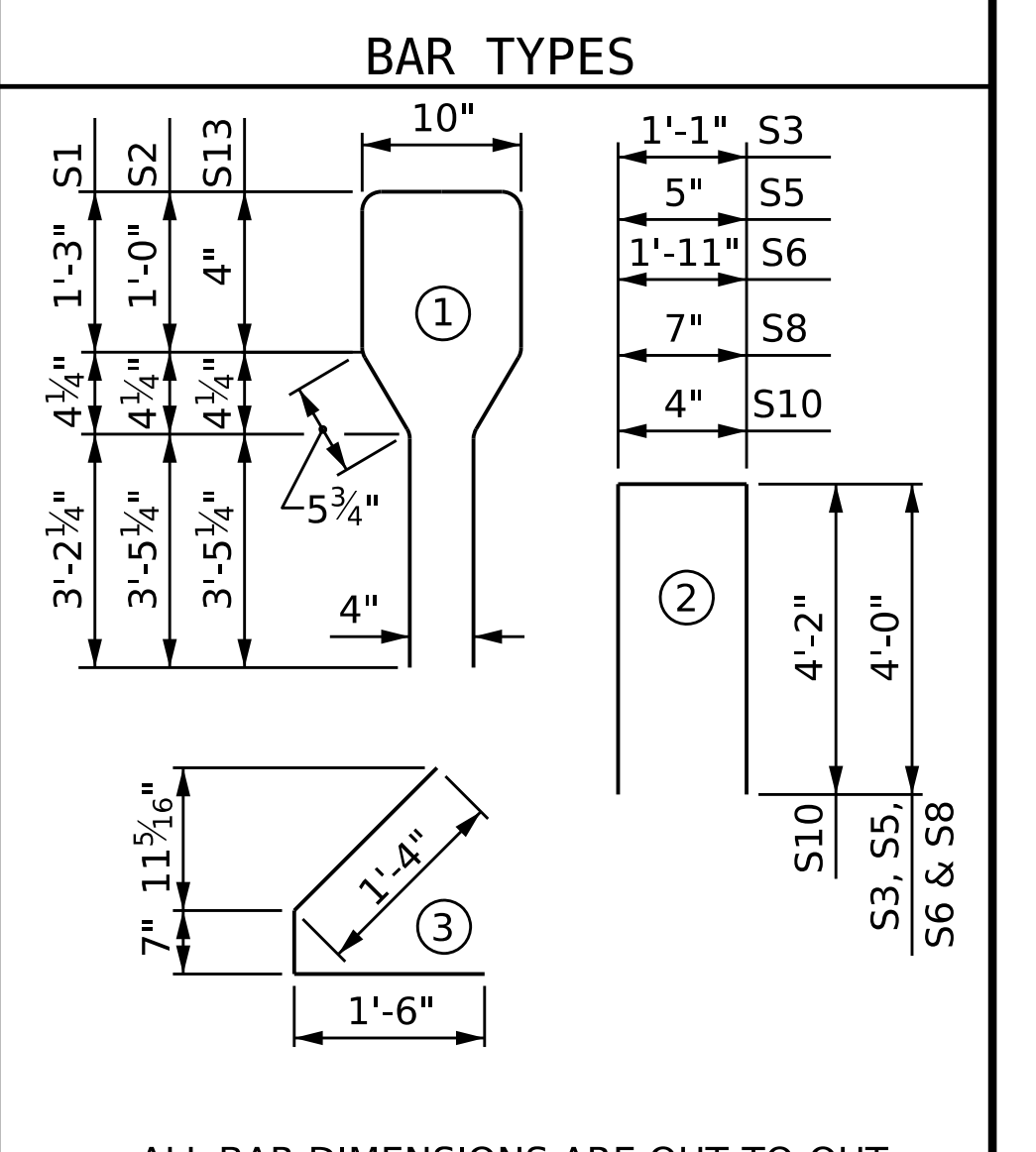
**DEBONDING LEGEND**

- FULLY BONDED STRANDS
- ◊ STRANDS DEBONDED FOR 10'-0" FROM END OF GIRDER
- ◻ STRANDS DEBONDED FOR 4'-0" FROM END OF GIRDER



0.6" $\varnothing$ L.R. GRADE 270 STRANDS		
AREA (SQUARE INCHES)	ULTIMATE STRENGTH (LBS. PER STRAND)	APPLIED PRESTRESS (LBS. PER STRAND)
0.217	58,600	43,950

REINFORCING STEEL FOR ONE GIRDER					
BAR	NUMBER	SIZE	TYPE	LENGTH	WEIGHT
S1	76	#4	1	10'-8"	542
S2	12	#6	1	10'-8"	192
S3	4	#4	2	9'-1"	24
S4	64	#4	3	3'-5"	146
S5	6	#4	2	8'-5"	34
S6	2	#4	2	9'-11"	14
S8	4	#4	2	8'-7"	23
S10	2	#5	2	8'-8"	18
S11	5	#4	STR	7'-0"	23
S13	12	#6	1	9'-4"	154



	REINFORCING STEEL		8000 PSI CONCRETE	0.6" $\varnothing$ L.R. STRANDS
	LB.	C.Y.		No.
EXT. GIRDER	1170	29.6		28
INT. GIRDER	1170	29.6		28

GIRDERS REQUIRED		
NUMBER	LENGTH	TOTAL LENGTH
STAGE I SPAN A	5	82'-0"
STAGE I SPAN B	5	82'-0"
STAGE II SPAN A	4	82'-0"
STAGE II SPAN B	4	82'-0"
<b>TOTAL</b>	<b>18</b>	<b>1476'-0"</b>

PROJECT NO. BR-0043  
ROCKINGHAM COUNTY  
 STATION: POT 25+80.88 -L-  
 SHEET 1 OF 3

**AECOM**  
 AECOM TECHNICAL SERVICES OF NC, INC.  
 5430 WADE PARK BOULEVARD, SUITE 200  
 RALEIGH, NC 27607  
 (919) 854-0200  
 AECOM License No. F0242

DocuSigned by:  
 John C. Morrison  
 A27FDE142C82F448

1/31/2023

STATE OF NORTH CAROLINA  
 DEPARTMENT OF TRANSPORTATION  
 RALEIGH

STANDARD  
**AASHTO TYPE IV  
 PRESTRESSED CONCRETE  
 GIRDER - LINK SLAB  
 SPAN A / SPAN B**

REVISIONS					SHEET NO.
NO.	BY:	DATE:	NO.	BY:	DATE:
1			3		
2			4		

S-18  
 TOTAL SHEETS: 45

DRAWN BY: L.A. SHIELDS DATE: 10/2022  
 CHECKED BY: S. NATARAJAN DATE: 10/2022  
 DESIGN ENGINEER OF RECORD: J.C. MORRISON DATE: 12/2022

DOCUMENT NOT CONSIDERED  
 FINAL UNLESS ALL  
 SIGNATURES COMPLETED