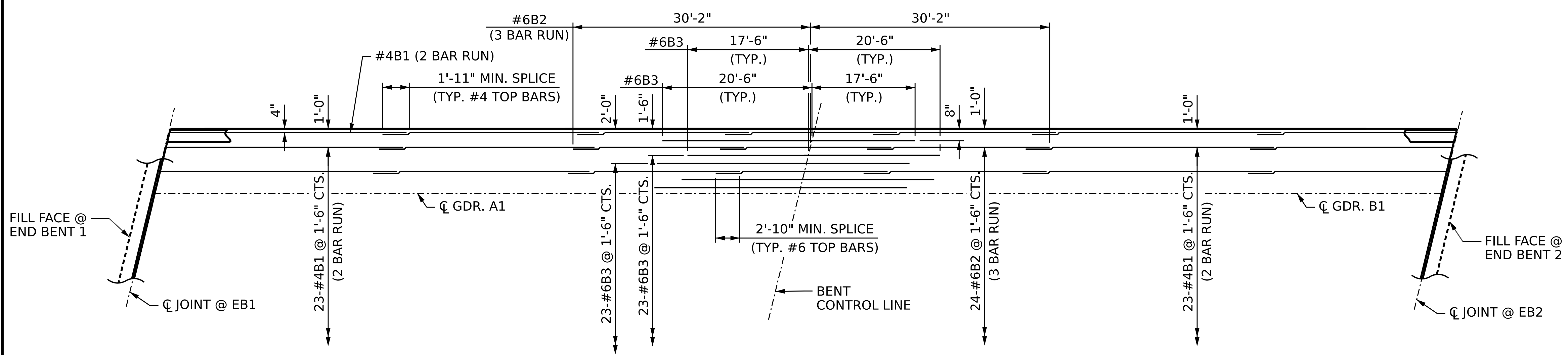


SPAN A - STAGE I
FOR NOTES, SEE SHEET 5 OF 5



TOP REINFORCING STEEL LAYOUT
SHOWING "B" BARS IN TOP OF SLAB
(NOT DRAWN TO SCALE)

** = DOWELS SHALL BE PLACED IN THE SAME HORIZONTAL PLANE AS THE TOP AND BOTTOM REINFORCING STEEL ("A" BARS).

PROJECT NO. BR-0043
ROCKINGHAM COUNTY
 STATION: POT 25+80.88 -L-
 SHEET 1 OF 5

AECOM
AECOM TECHNICAL SERVICES OF NC, INC.
 5438 WADE PARK BOULEVARD, SUITE 200
 RALEIGH, NC 27607
 (919) 854-6200 www.aecom.com
 AECOM License No. F0242

DocuSigned by:
John C. Morrison 1/31/2023
A2FDE142C82F44B

STATE OF NORTH CAROLINA
 DEPARTMENT OF TRANSPORTATION
 RALEIGH

SUPERSTRUCTURE
PLAN OF SPAN A
 STAGE I

REVISIONS					
NO.	BY:	DATE:	NO.	BY:	DATE:
1			3		
2			4		

SHEET NO.
S-11
 TOTAL SHEETS
 45

DRAWN BY: M.L. CATER DATE: 11/2022
 CHECKED BY: J.C. MORRISON DATE: 11/2022
 DESIGN ENGINEER OF RECORD: J.C. MORRISON DATE: 12/2022

DOCUMENT NOT CONSIDERED
 FINAL UNLESS ALL
 SIGNATURES COMPLETED