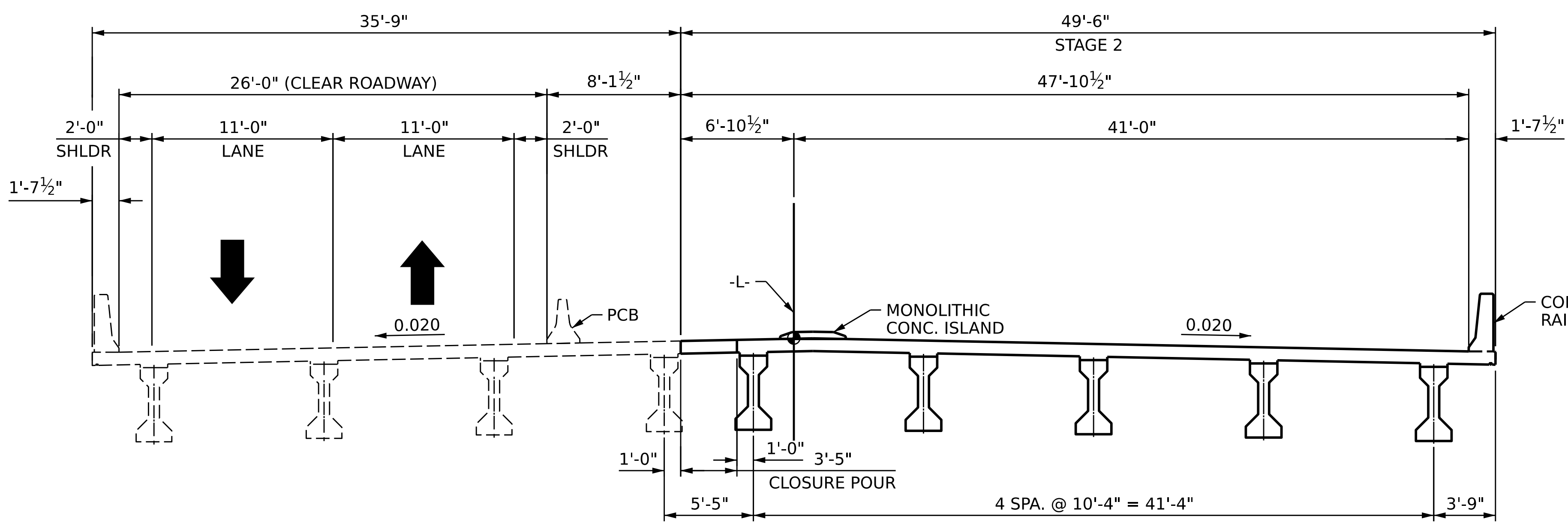


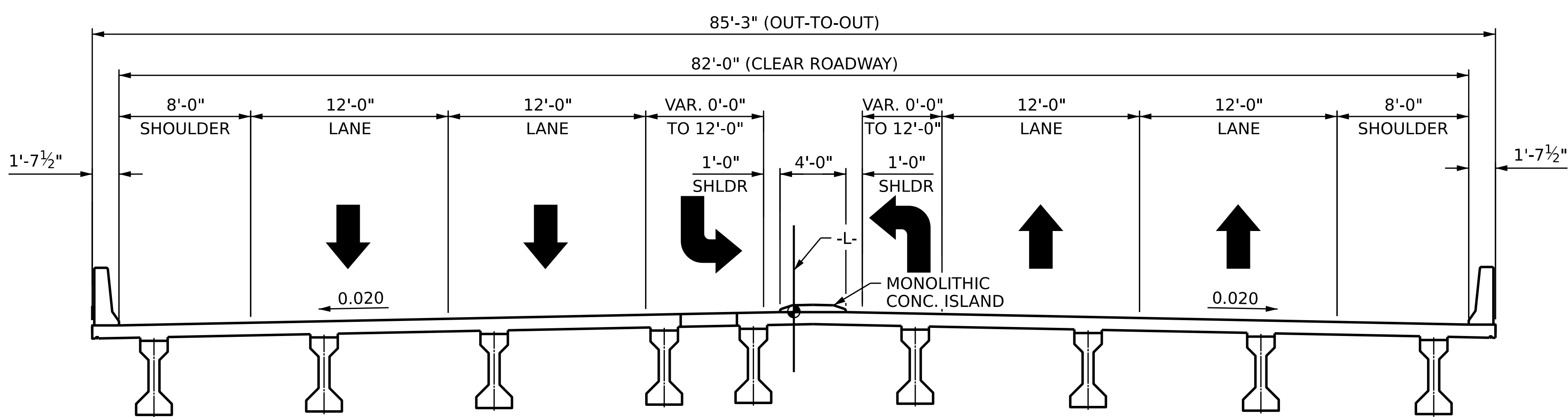
STAGE II DEMOLITION

TRANSFER TRAFFIC TO LEFT SIDE OF PROPOSED BRIDGE



STAGE II CONSTRUCTION

CONSTRUCT RIGHT SIDE OF PROPOSED BRIDGE, CLOSURE POUR AND MONOLITHIC CONCRETE ISLAND



FINAL CONSTRUCTION

NOTES:

EXISTING BRIDGE DATA IS BASED ON THE BEST INFORMATION AVAILABLE.

PCB: PORTABLE CONCRETE BARRIER

FOR MANAGEMENT OF TRAFFIC AND LIMITS OF PCB, SEE TRANSPORTATION MANAGEMENT PLANS.



PROJECT NO. BR-0043
ROCKINGHAM COUNTY
 STATION: POT 25+80.88 -L-

SHEET 2 OF 2

AECOM
AECOM TECHNICAL SERVICES OF NC, INC.
 5430 WADE PARK BOULEVARD, SUITE 200
 RALEIGH, NC 27607
 (919) 854-6200 www.aecom.com
 AECOM License No. F0242

SEAL
 030474
 ENGINEER
 JOHN C. MORRISON

DocuSigned by:
John C. Morrison 1/31/2023
A2FDE142C82F44B...

STATE OF NORTH CAROLINA DEPARTMENT OF TRANSPORTATION RALEIGH					
CONSTRUCTION SEQUENCE					
REVISIONS					
NO.	BY:	DATE:	NO.	BY:	DATE:
1			3		
2			4		
SHEET NO.					S-07
TOTAL SHEETS					45

DRAWN BY :	B.T. LEROY	DATE :	11/2022
CHECKED BY :	J.C. MORRISON	DATE :	11/2022
DESIGN ENGINEER OF RECORD:	J.C. MORRISON	DATE :	12/2022

DOCUMENT NOT CONSIDERED FINAL UNLESS ALL SIGNATURES COMPLETED