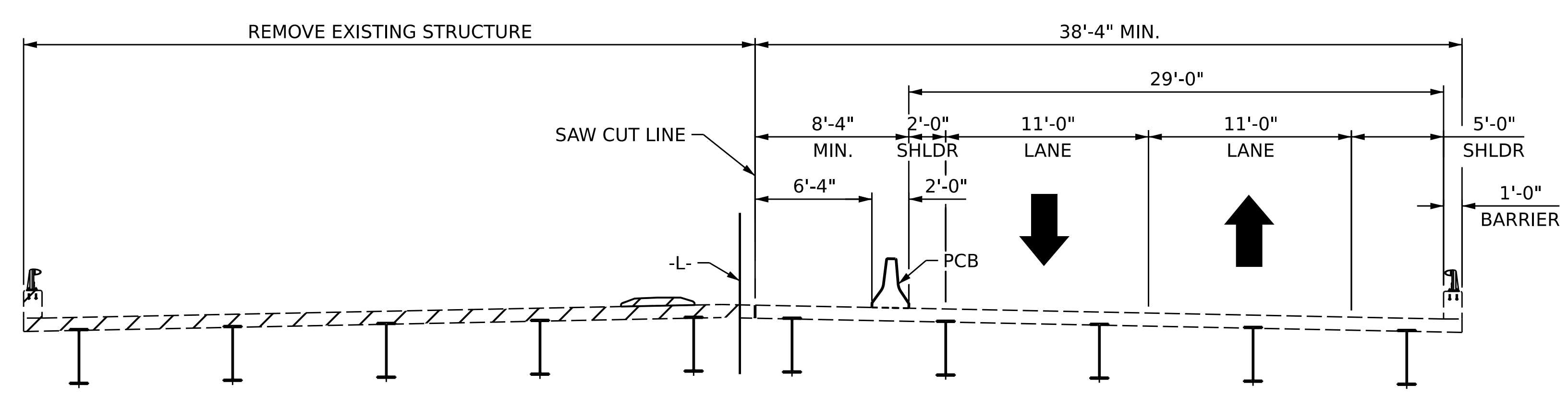


EXISTING BRIDGE

* TURN LANE VARIES 0'-0" TO 12'-0"

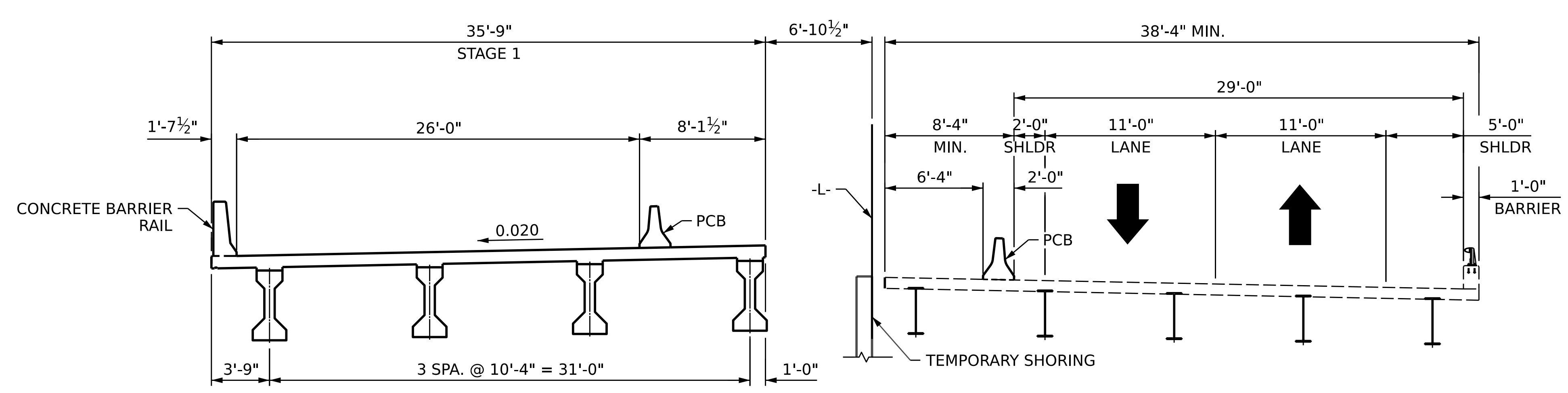
NOTES:

EXISTING BRIDGE DATA IS BASED ON THE BEST INFORMATION AVAILABLE.
 PCB: PORTABLE CONCRETE BARRIER
 FOR MANAGEMENT OF TRAFFIC AND LIMITS OF PCB, SEE TRANSPORTATION MANAGEMENT PLANS.



STAGE I DEMOLITION

REMOVE ALL OF EXISTING CONCRETE ISLAND
 TRANSFER TRAFFIC TO RIGHT SIDE OF EXISTING BRIDGE



STAGE I CONSTRUCTION

CONSTRUCT TEMPORARY SHORING & LEFT SIDE OF PROPOSED BRIDGE

PROJECT NO. BR-0043
ROCKINGHAM COUNTY
 STATION: POT 25+80.88 -L-
 SHEET 1 OF 2

AECOM
AECOM TECHNICAL SERVICES OF NC, INC.
 5430 WADE PARK BOULEVARD, SUITE 200
 RALEIGH, NC 27607
 (919) 854-6200 www.aecom.com
 AECOM License No. F0242

SEAL
 030474
 ENGINEER
 JOHN C. MORRISON

DocuSigned by:
 John C. Morrison 1/31/2023
A2FDE142C82F44B...

STATE OF NORTH CAROLINA DEPARTMENT OF TRANSPORTATION RALEIGH					
CONSTRUCTION SEQUENCE					
REVISIONS					
NO.	BY:	DATE:	NO.	BY:	DATE:
1			3		
2			4		
					SHEET NO. S-06 TOTAL SHEETS 45

DRAWN BY :	B.T. LEROY	DATE :	11/2022
CHECKED BY :	J.C. MORRISON	DATE :	11/2022
DESIGN ENGINEER OF RECORD:	J.C. MORRISON	DATE :	12/2022

DOCUMENT NOT CONSIDERED
 FINAL UNLESS ALL
 SIGNATURES COMPLETED