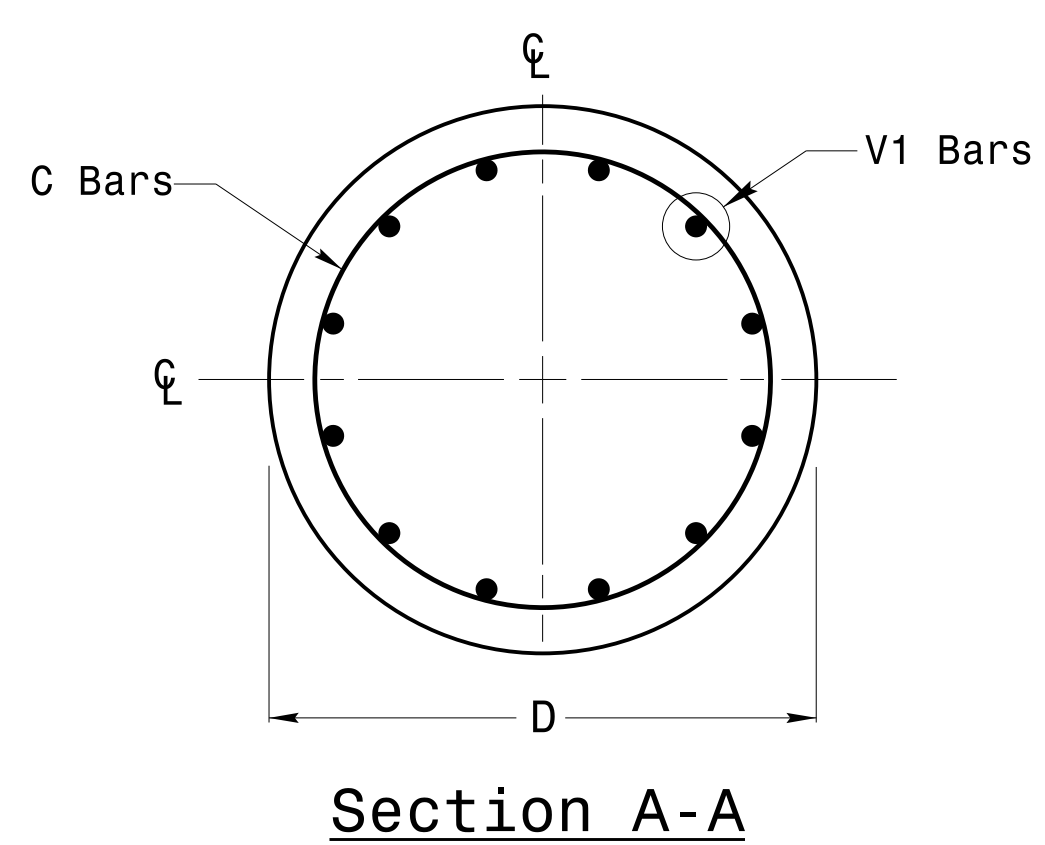
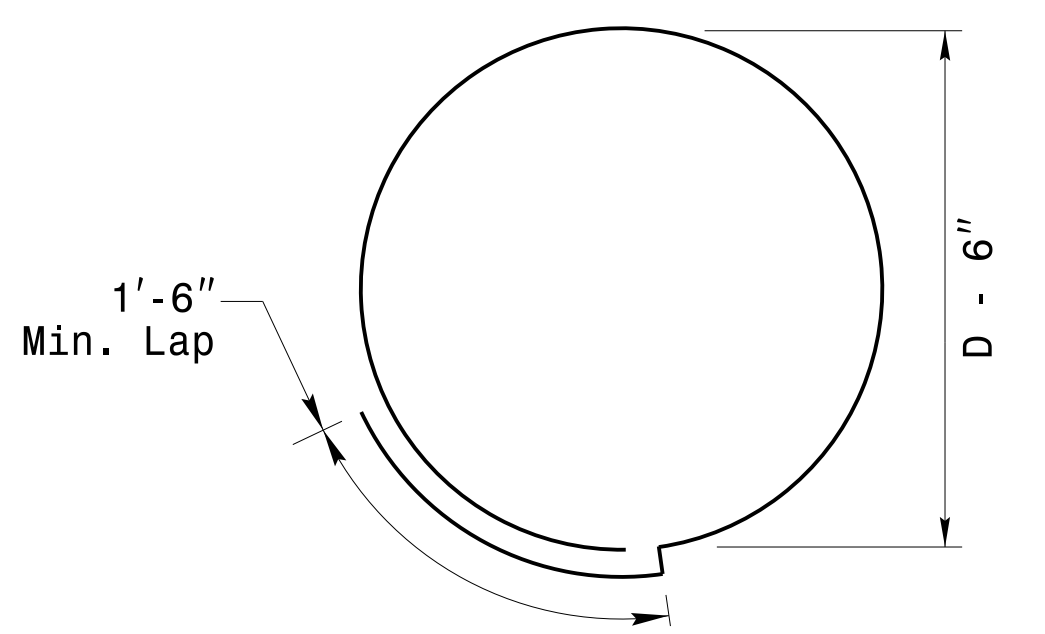


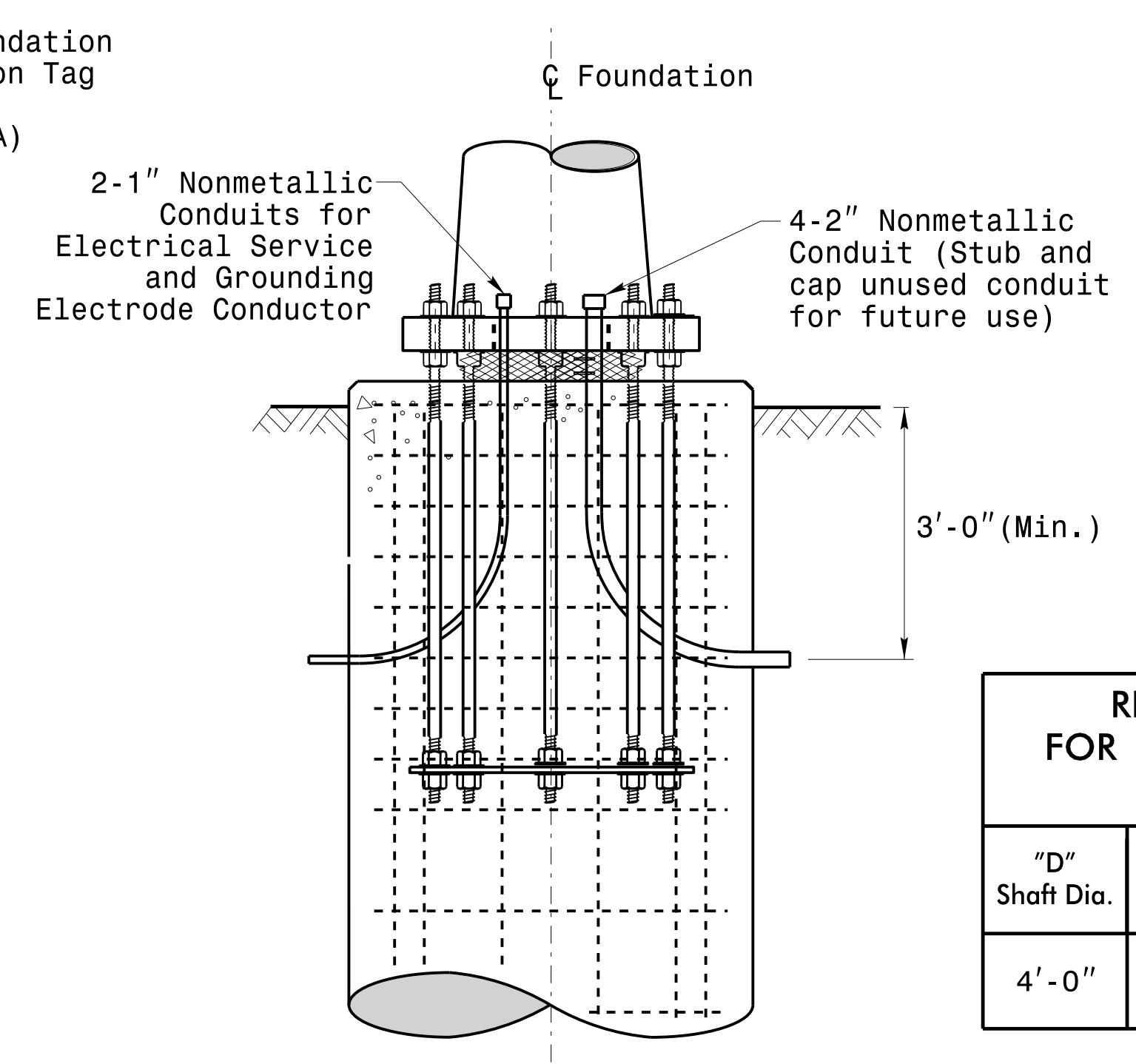
Concrete Shaft Elevation



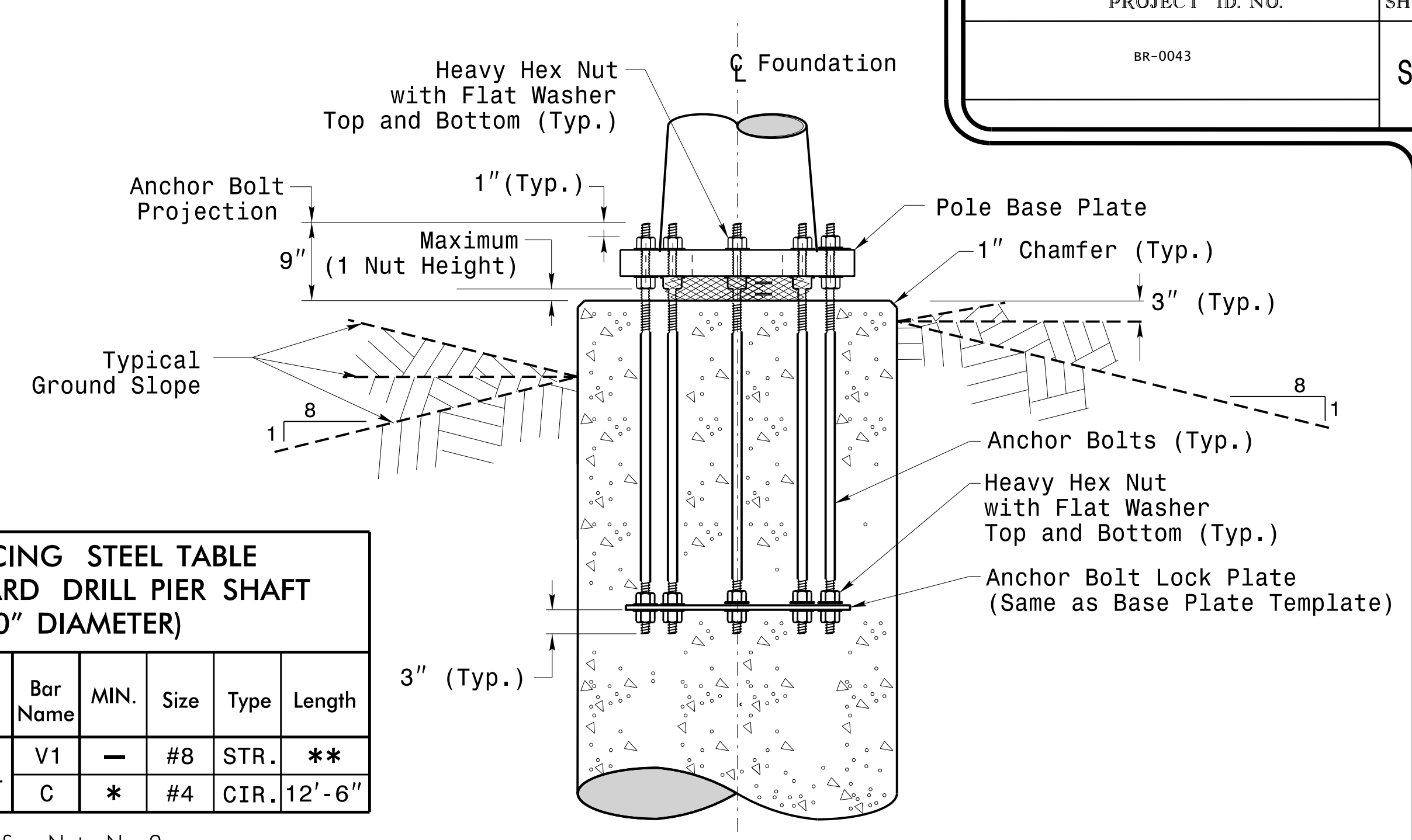
Section A-A



Typical "C" Bar Detail



Typical Foundation Conduit Details



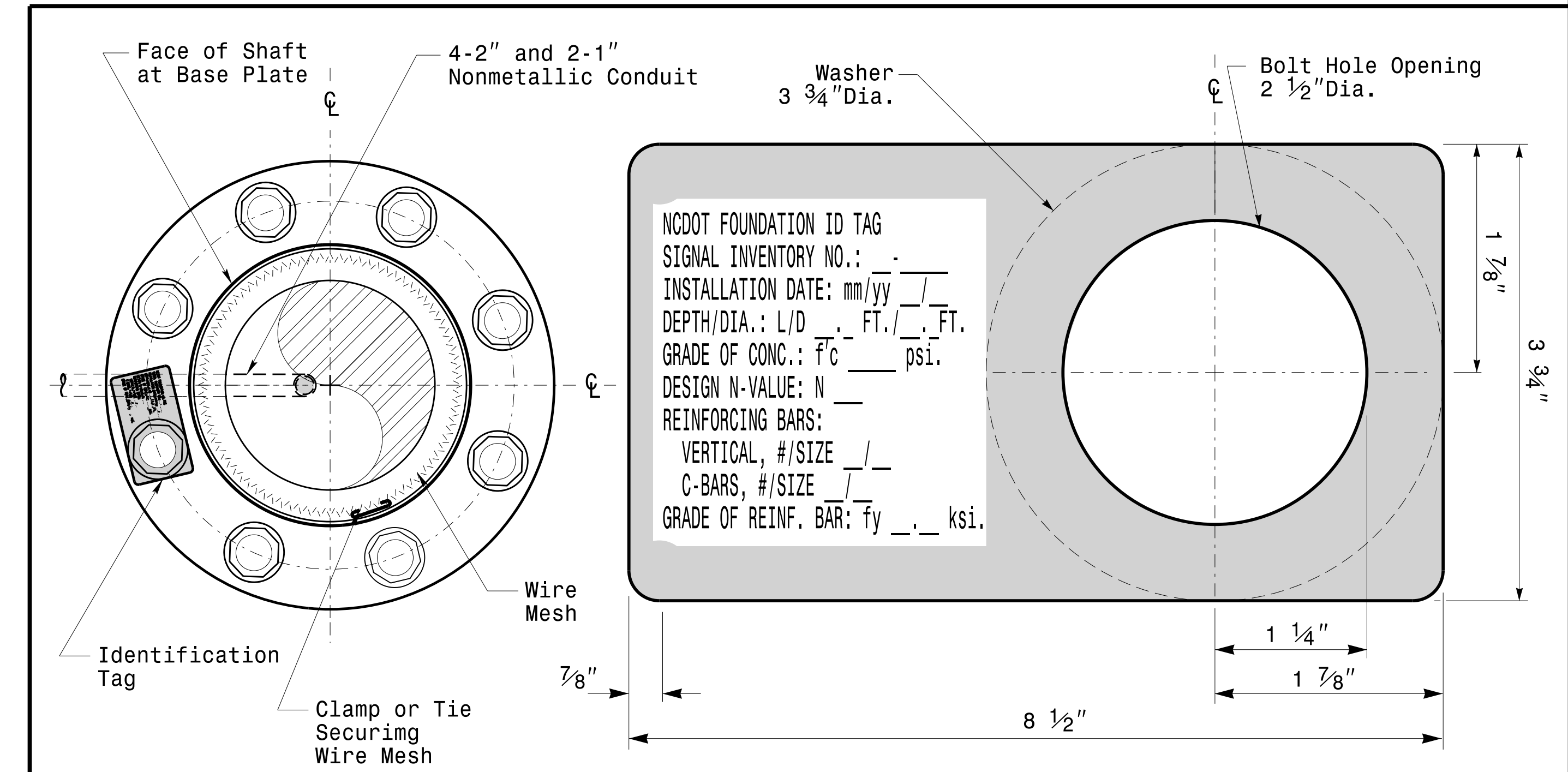
Typical Foundation Anchor Bolt Details
(Reinforcing Cage Not Shown for Clarity)

| "D" Shaft Dia. | Conc. Volume (cu. yds.) | Bar Name | MIN. Size | Type | Length |
|----------------|-------------------------|----------|-----------|------|--------|
| 4'-0" | .465 x L | V1 | #8 | STR. | ** |
| | | C | #4 | CIR. | 12'-6" |

* See Note No. 2
** See Note No. 3

General Notes:

- If actual subsurface conditions differ significantly from boring data contact the Engineer before excavating or placing concrete.
- Circular tie reinforcing rings may be vertically adjusted by +/-3" at a depth between 2'-0" and 3'-0" to facilitate the installation of electrical conduit entering in the cage.
- For standard foundations, see sheet Sig. M8 for details. Vertical reinforcing bars (V1) may be horizontally adjusted by +/-3" to facilitate the installation of electrical conduit entering into the cage.
- Provide 2" to 5" foundation projection above ground level depending on the ground slope.
- Unless otherwise shown, foundation designs are based on non-sloping level ground surfaces with slope ratios of 8:1 (H:V) or flatter. If actual ground line slopes are steeper contact the Engineer before excavating or placing concrete.
- Construct foundations in accordance with NCDOT Standard Provisions SP09 R005- Foundations and Anchor Rod Assemblies for Metal Poles. All applicable 2018 NCDOT Standard Specifications are referenced in this provision. Refer to the NCDOT Resources/Specifications page located on the Connect NCDOT website.
<https://connect.ncdot.gov/resources/Specifications and Special Provisions.aspx>
- Use air entrained AA concrete mix with a compression strength of f'c=4500 psi.(min.) after 28 days.
- Use ASTM A615 grade 60 deformed bars for all reinforcing steel. Maintain at least 3" cover on all reinforcement.
- Locate the Identification Tag on the top of the base plate, directly above the conduit's entry point.
- Provide two layers of galvanized welded 23 gauge (0.25) 6" wide 4 mesh wire around pipes under the base plate and secure it with ties if necessary.
- Preferred location for the I.D. Tag is as shown in Detail-A; directly above the conduit entering the foundation.



Concrete Foundation Identification Tag Details

D = Diameter
L = Length/Depth
mm = Month
yy = Year

Detail-A

| | | | |
|--|--|---|--|
| | Construction Details For Foundations | | |
| | PLAN DATE: OCTOBER 2018 PREPARED BY: N. BITTING | DESIGNED BY: C.B. COGDILL REVIEWED BY: D.C. SARKAR | |
| 750 N. Greenfield Pkwy, Garner, NC 27529 | REV. NO. 1 COMMENTS: Revised Foundation Tag Details | INIT. N.B. DATE: 5/11/2015 | SEAL D. C. SARKAR DATE: 10/11/2017 |

Construction Details - Foundations

11-001-2017-08:33T
13560W115-Strain&sigal Design Section&Eastern Region&M Sheers&2016&2014 Sig.M7 Std. Construction Detail&Strain Poles.dgn
P21