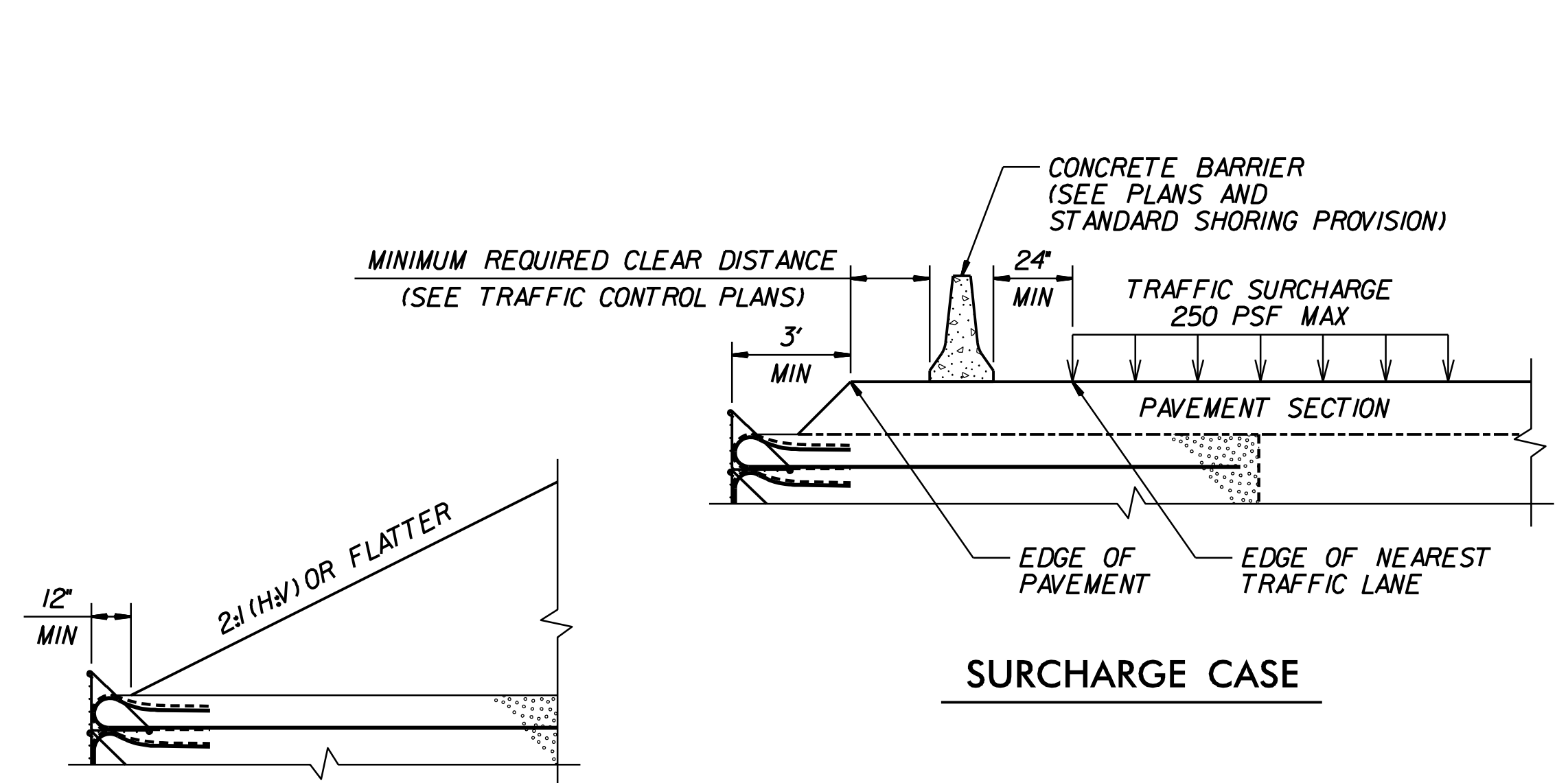


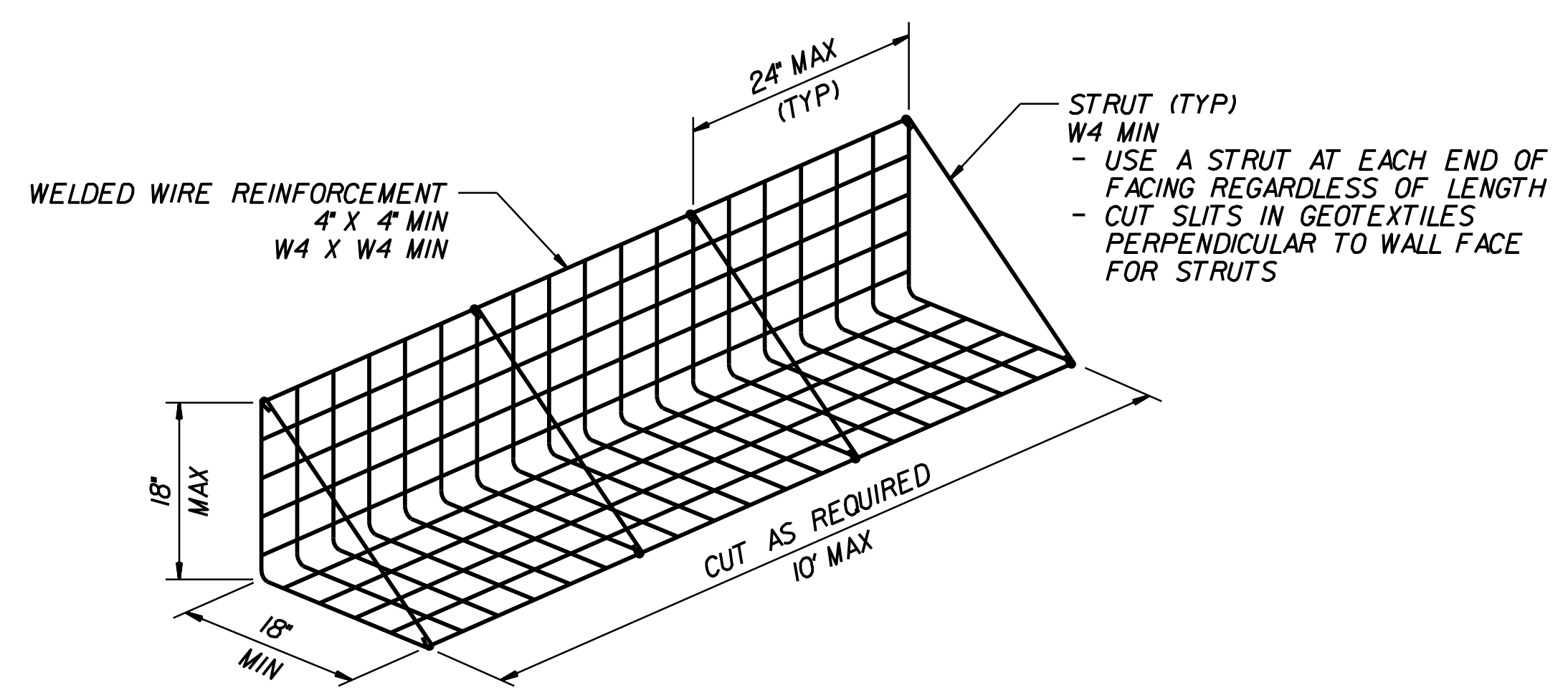
DocuSigned by:  
Scott A. Hadden 01/26/2023

DOCUMENT NOT CONSIDERED FINAL UNLESS ALL SIGNATURES COMPLETED

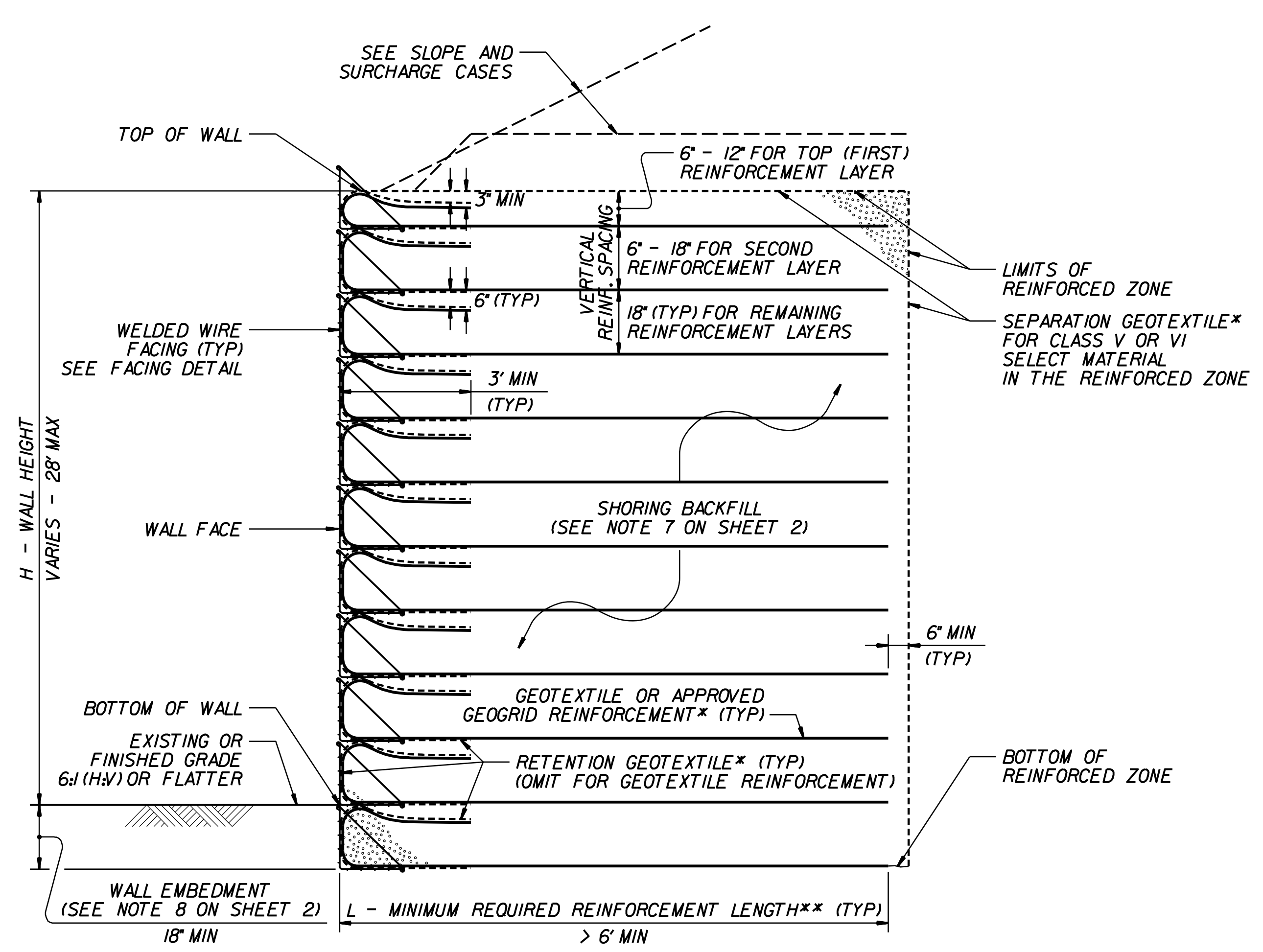


SLOPE CASE

SURCHARGE CASE

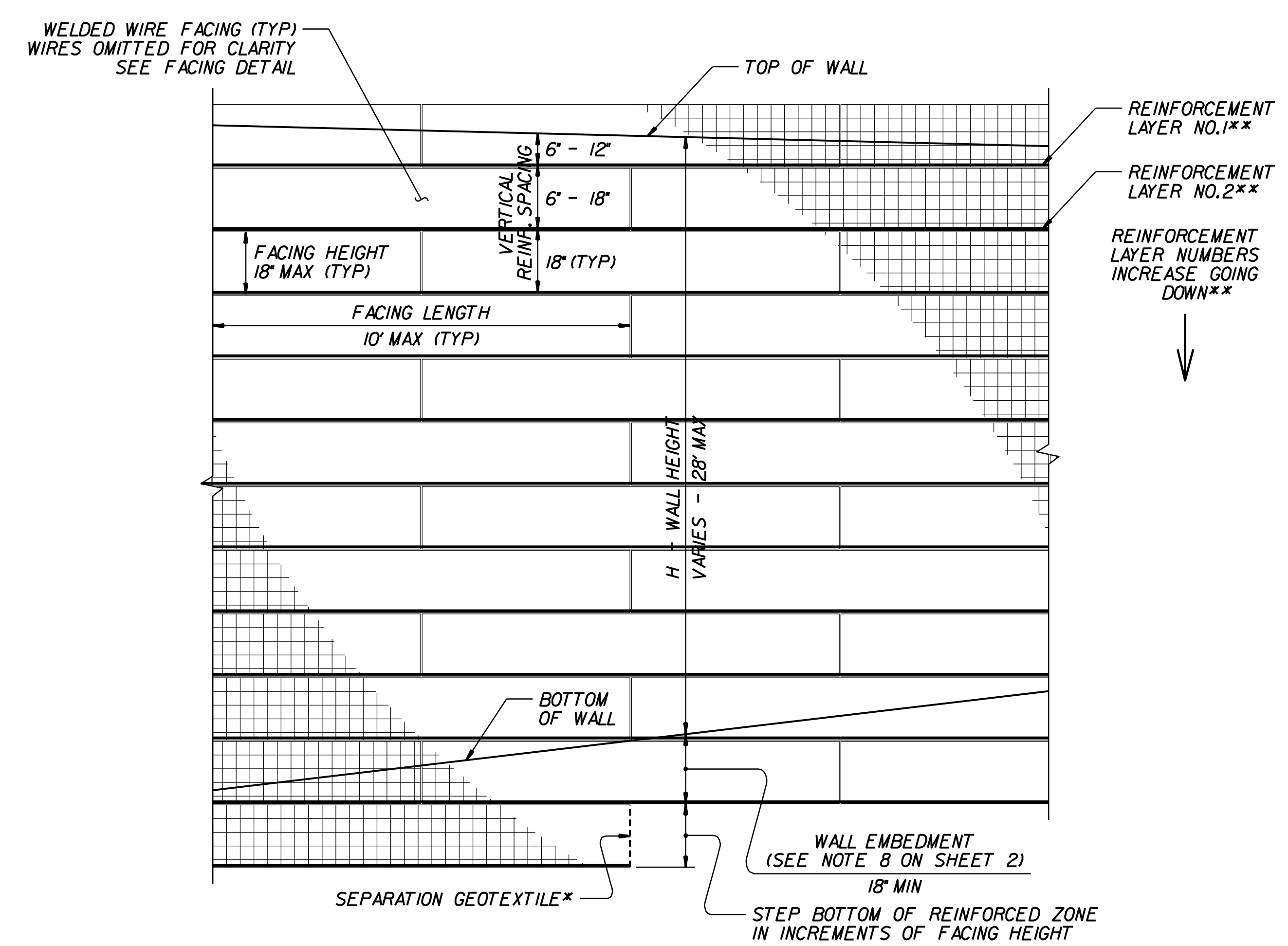


FACING DETAIL



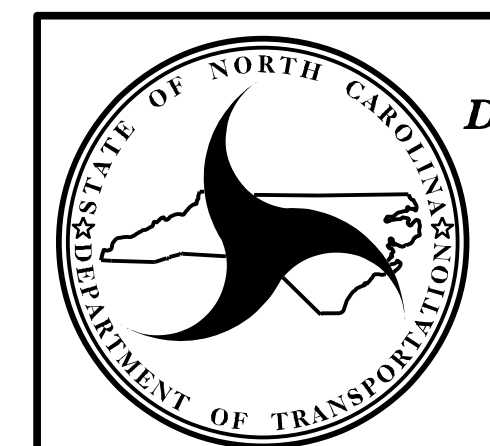
STANDARD TEMPORARY WALL

(FOR STANDARD TEMPORARY WALLS ON STRUCTURES, SEE TEMPORARY WALL ON STRUCTURE DETAIL ON SHEET 2.)  
\*SEE GEOSYNTHETIC PLACEMENT DETAILS ON SHEET 2.  
\*\*SEE REINFORCEMENT TABLES ON SHEET 3.



STANDARD TEMPORARY WALL - PARTIAL ELEVATION

\*SEE GEOSYNTHETIC PLACEMENT DETAILS ON SHEET 2.  
\*\*SEE REINFORCEMENT TABLES ON SHEET 3.



NORTH CAROLINA  
DEPARTMENT OF TRANSPORTATION  
DIVISION OF HIGHWAYS  
  
GEOTECHNICAL  
ENGINEERING UNIT

STANDARD DETAIL NO. 1801.02

STANDARD  
TEMPORARY WALL  
SHEET 1 OF 3