

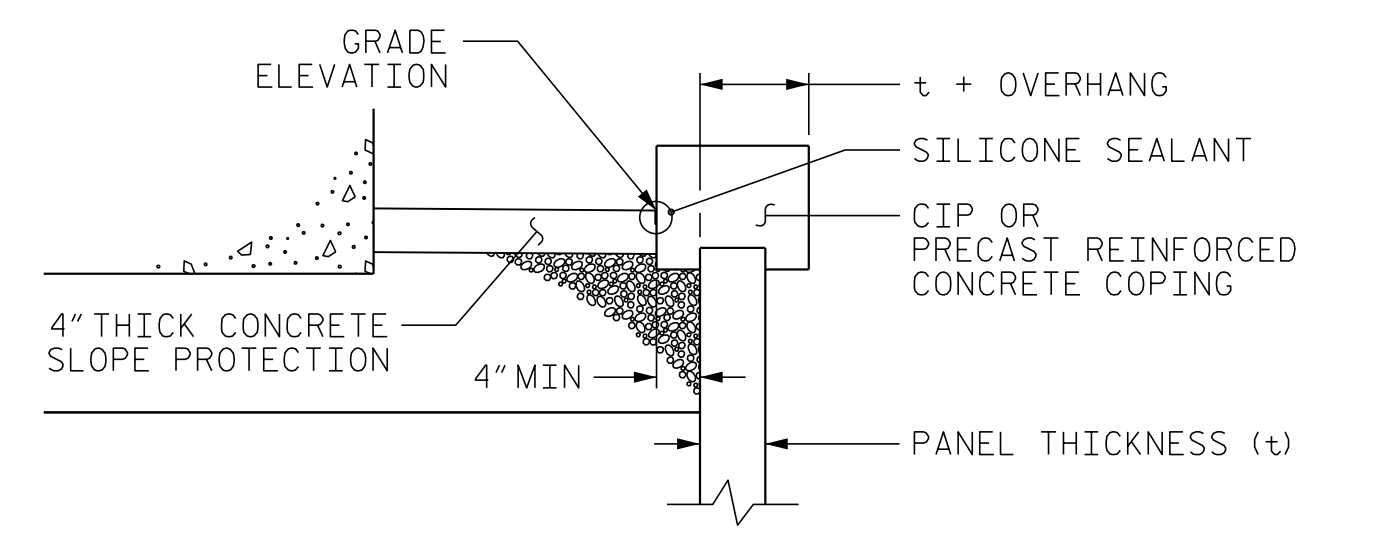
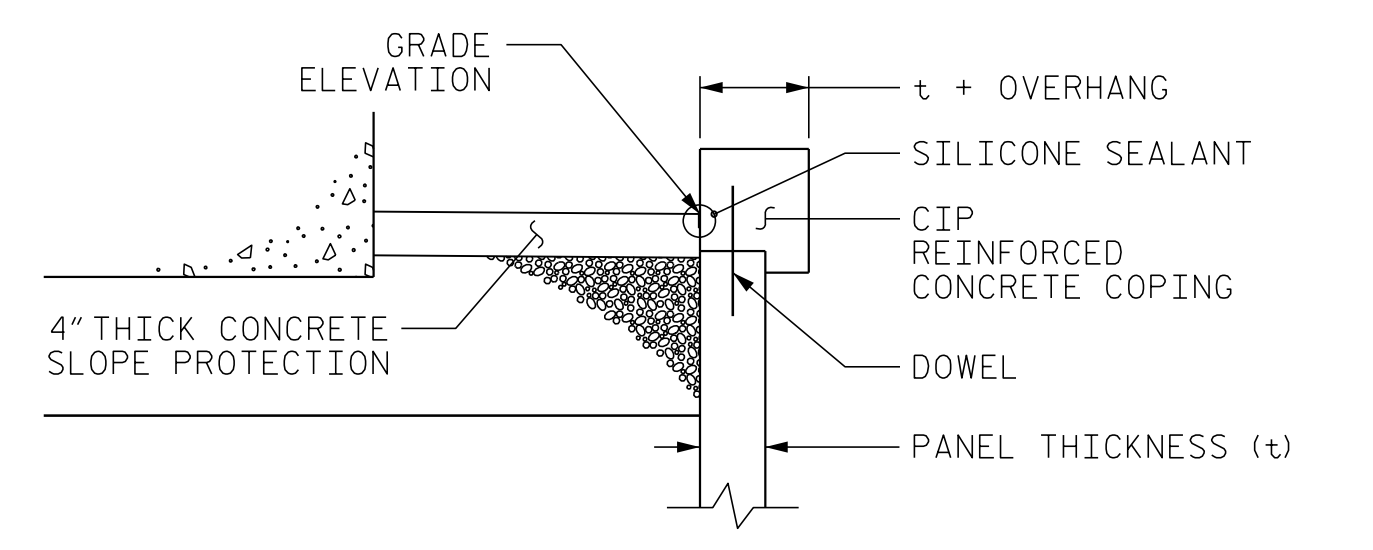
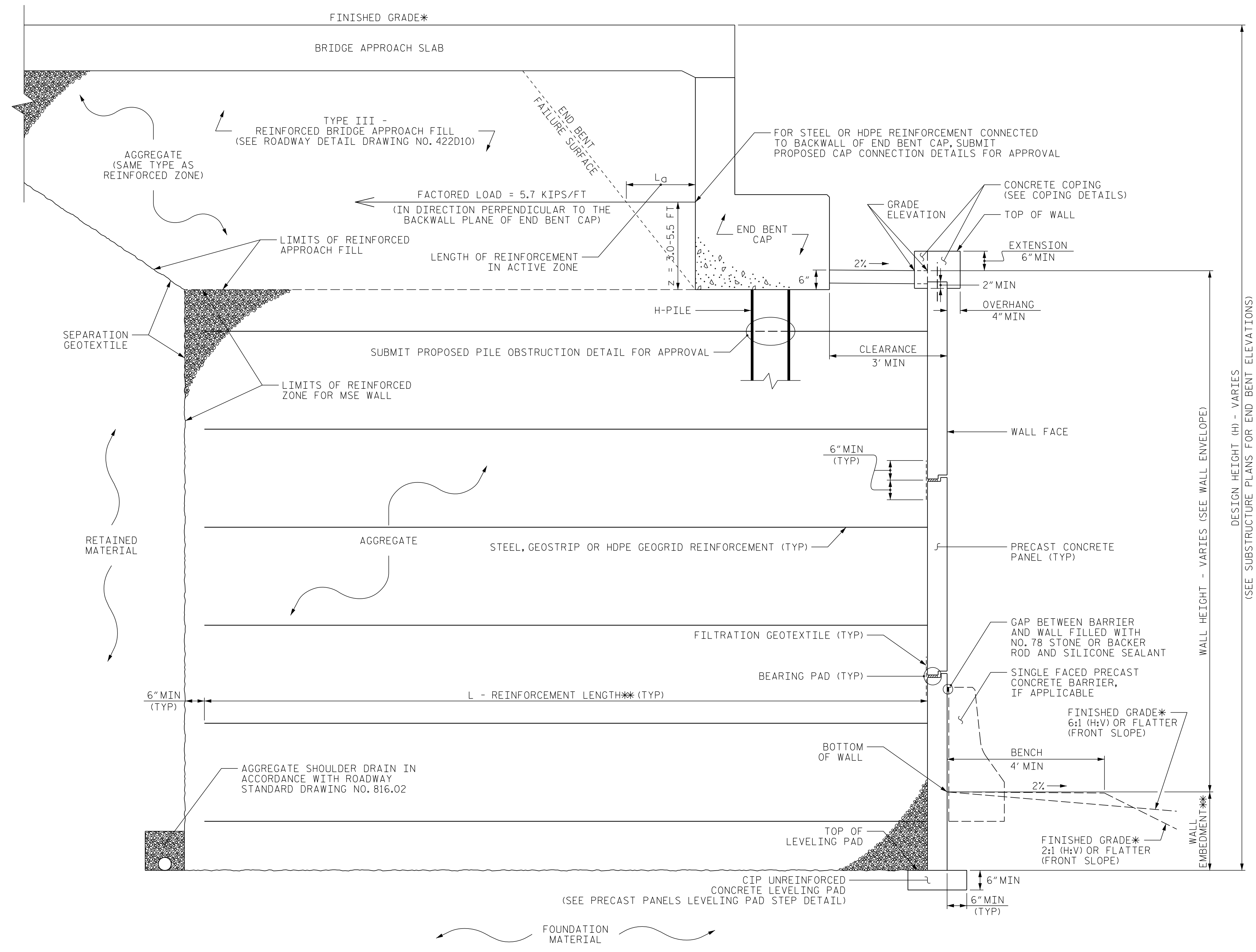
GEOTECHNICAL ENGINEER

ENGINEER

SEAL 052709

02/16/2023

DOCUMENT NOT CONSIDERED FINAL UNLESS ALL SIGNATURES COMPLETED



COPING DETAILS

AT THE CONTRACTOR'S OPTION, CONNECT COPING TO PANELS WITH DOWELS OR EXTEND COPING DOWN BACK OF PANELS.

MSE ABUTMENT WALL WITH PRECAST PANELS - TYPICAL SECTION

*SEE ROADWAY PLANS FOR FINISHED GRADE DETAILS.
 **SEE MSE RETAINING WALLS PROVISION AND IF APPLICABLE, MSE WALL NOTES FOR WALL EMBEDMENT AND REINFORCEMENT LENGTH REQUIREMENTS.

PROJECT NO.: BR-0041
 ROCKINGHAM COUNTY
 STATION: -Y- STA. 20+26.72 TO 18+17.73
 SHEET 2 OF 3

PREPARED BY: C.R. PASTRANA DATE: 02/2023
 REVIEWED BY: M.M. LATTIN DATE: 02/2023

ESP ESP ASSOCIATES, INC.
 7011 ALBERT PICK RD
 SUITE E
 GREENSBORO, NC 27409
 FIRM # C-0587
 WWW.ESPASSOCIATES.COM

NORTH CAROLINA DEPARTMENT OF TRANSPORTATION
 DIVISION OF HIGHWAYS
GEOTECHNICAL ENGINEERING UNIT

RETAINING WALL NO. 2 TYPICAL & COPING DETAILS

REVISIONS					
NO.	BY	DATE	NO.	BY	DATE
1			3		
2			4		

SHEET NO. W-5