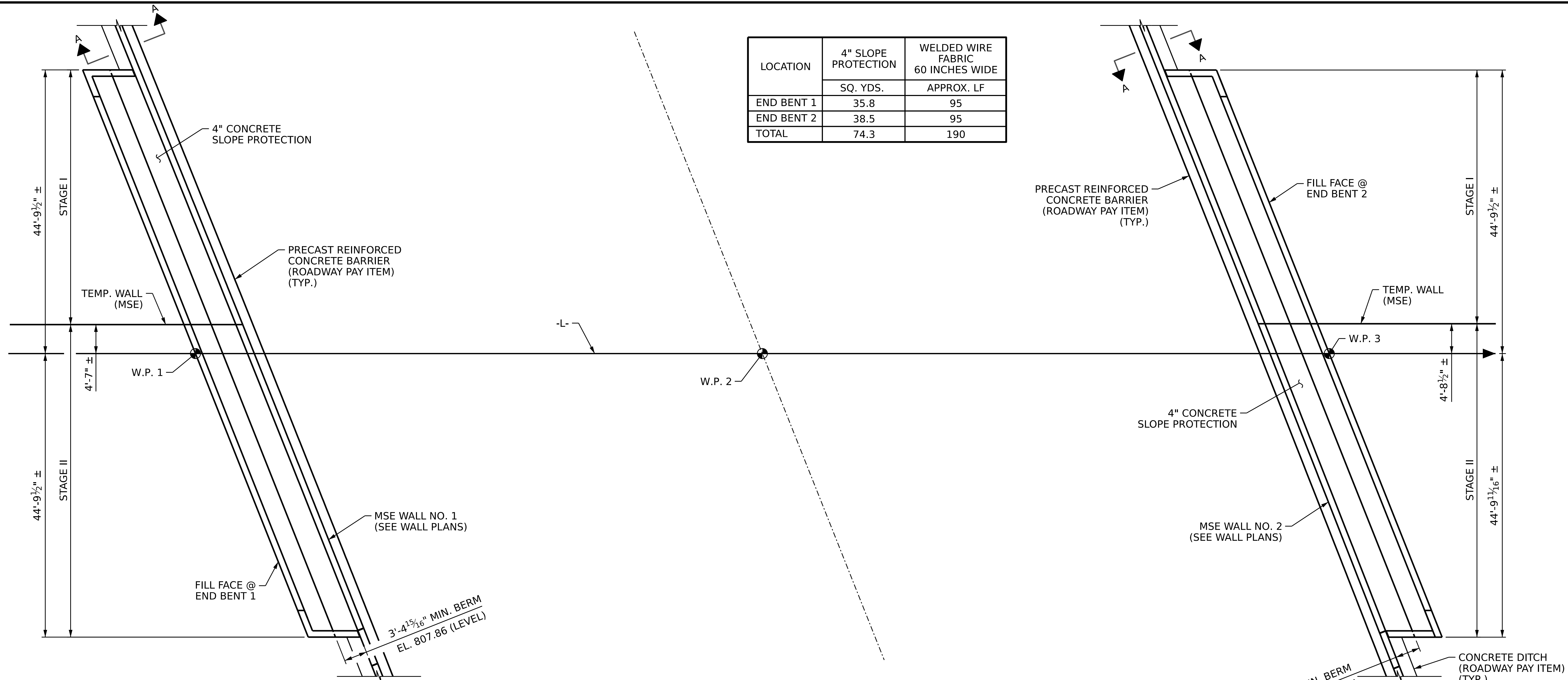
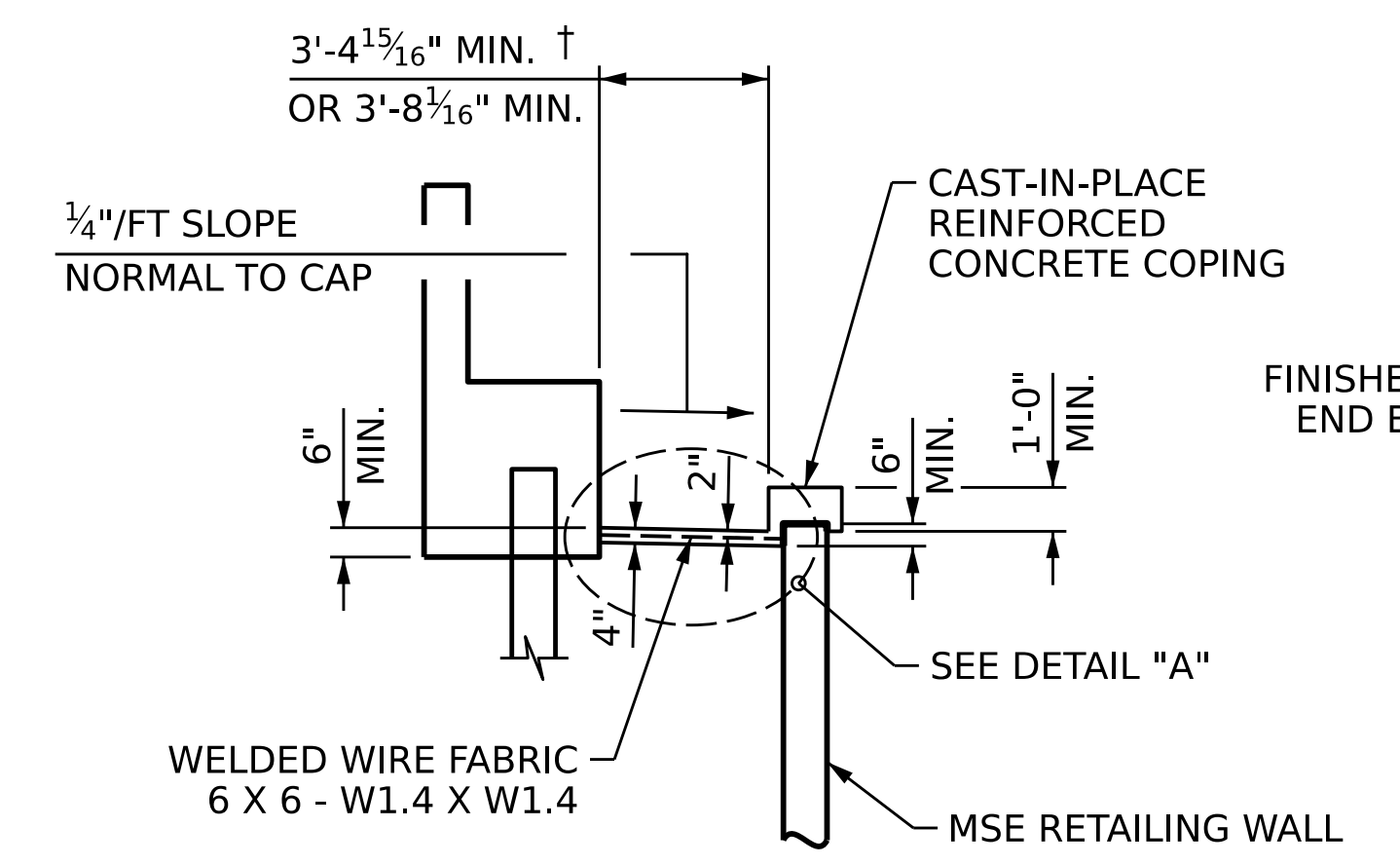


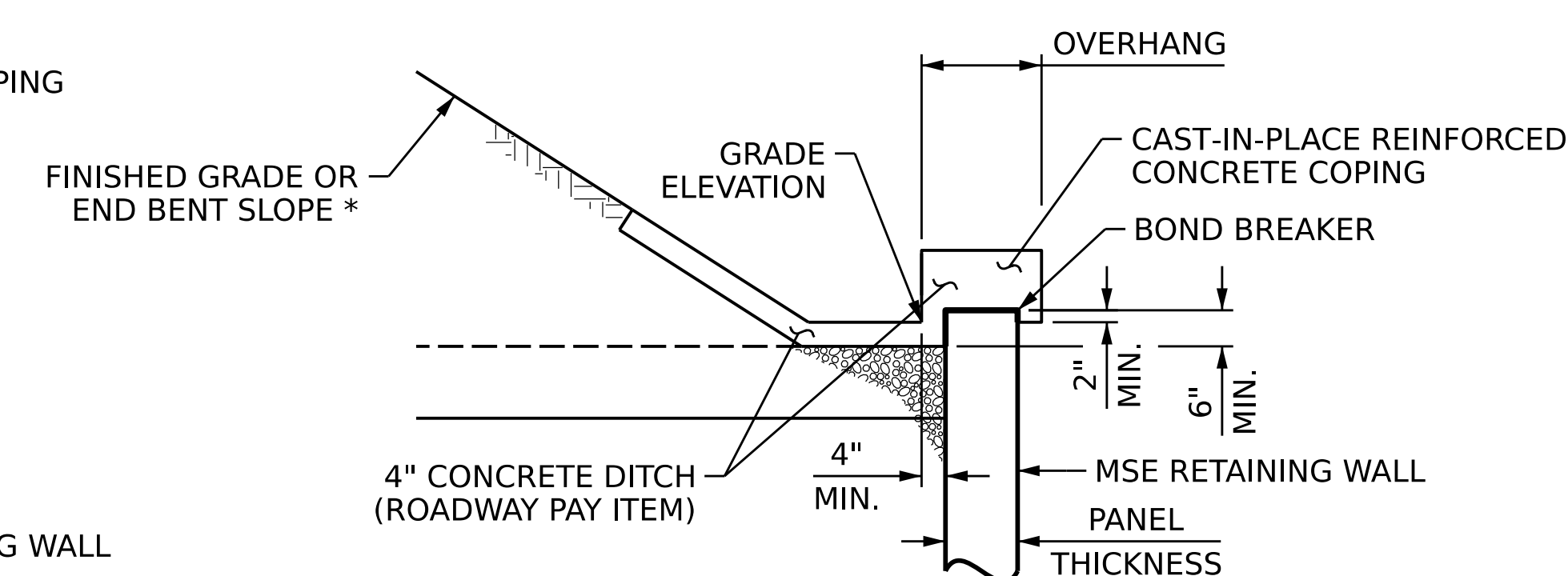
LOCATION	4" SLOPE PROTECTION	WELDED WIRE FABRIC 60 INCHES WIDE
	SQ. YDS.	APPROX. LF
END BENT 1	35.8	95
END BENT 2	38.5	95
TOTAL	74.3	190



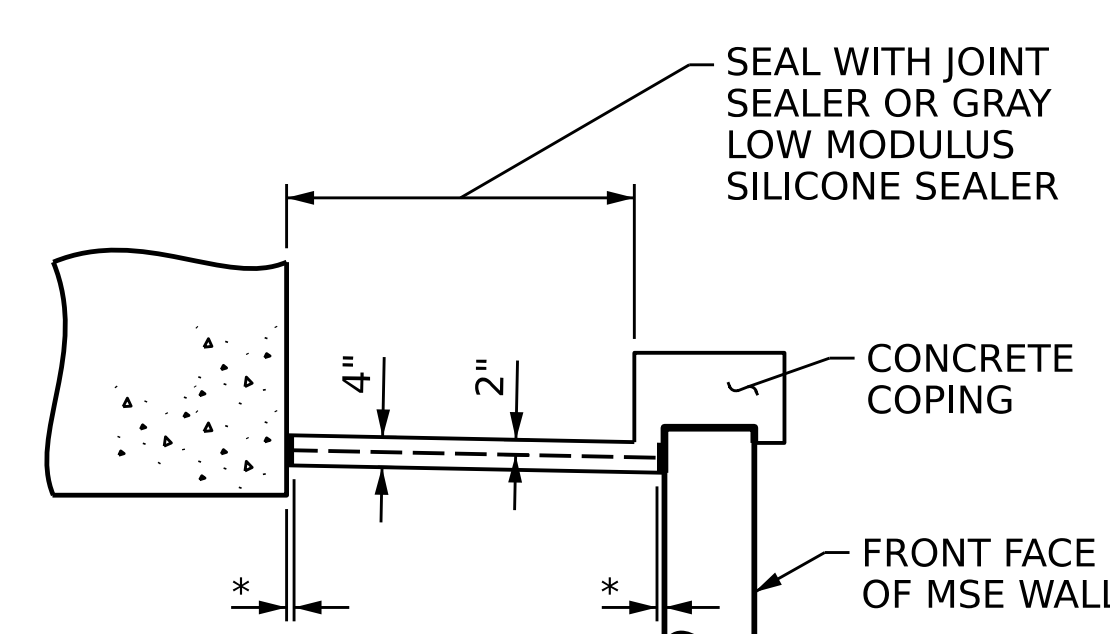
**PLAN**



**SECTION ALONG C - L-**



**SECTION A-A**



**DETAIL "A"**

PROJECT NO. BR-0041  
ROCKINGHAM COUNTY  
 STATION: POT 34+73.00 -L-

**AECOM**  
AECOM TECHNICAL SERVICES OF NC, INC.  
 5430 WADE PARK BOULEVARD, SUITE 200  
 RALEIGH, NC 27607  
 (919) 854-6200 www.aecom.com  
 AECOM License No. F0242

**NORTH CAROLINA PROFESSIONAL SEAL**  
 04343  
 ENGINEER  
 DANIEL DRUM  
 2/19/2023

STATE OF NORTH CAROLINA  
 DEPARTMENT OF TRANSPORTATION  
 RALEIGH

GENERAL DRAWING

**SLOPE PROTECTION DETAILS**

REVISIONS						SHEET NO.
NO.	BY:	DATE:	NO.	BY:	DATE:	TOTAL SHEETS
1			3			48
2			4			48

DRAWN BY: B.T. LEROY DATE: 11/2022  
 CHECKED BY: S. NATARAJAN DATE: 11/2022  
 DESIGN ENGINEER OF RECORD: G. COLS DATE: 12/2022

DOCUMENT NOT CONSIDERED FINAL UNLESS ALL SIGNATURES COMPLETED