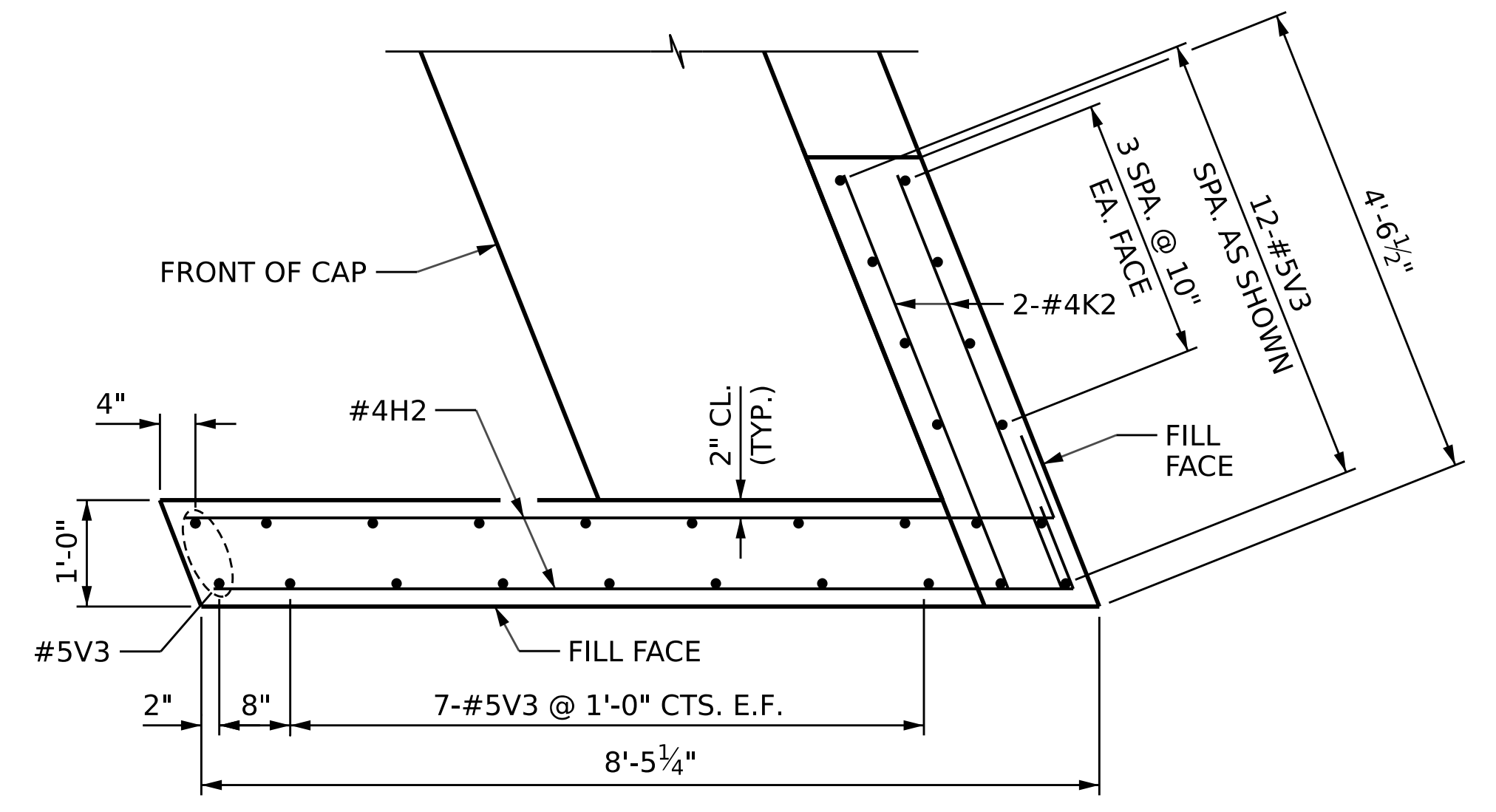
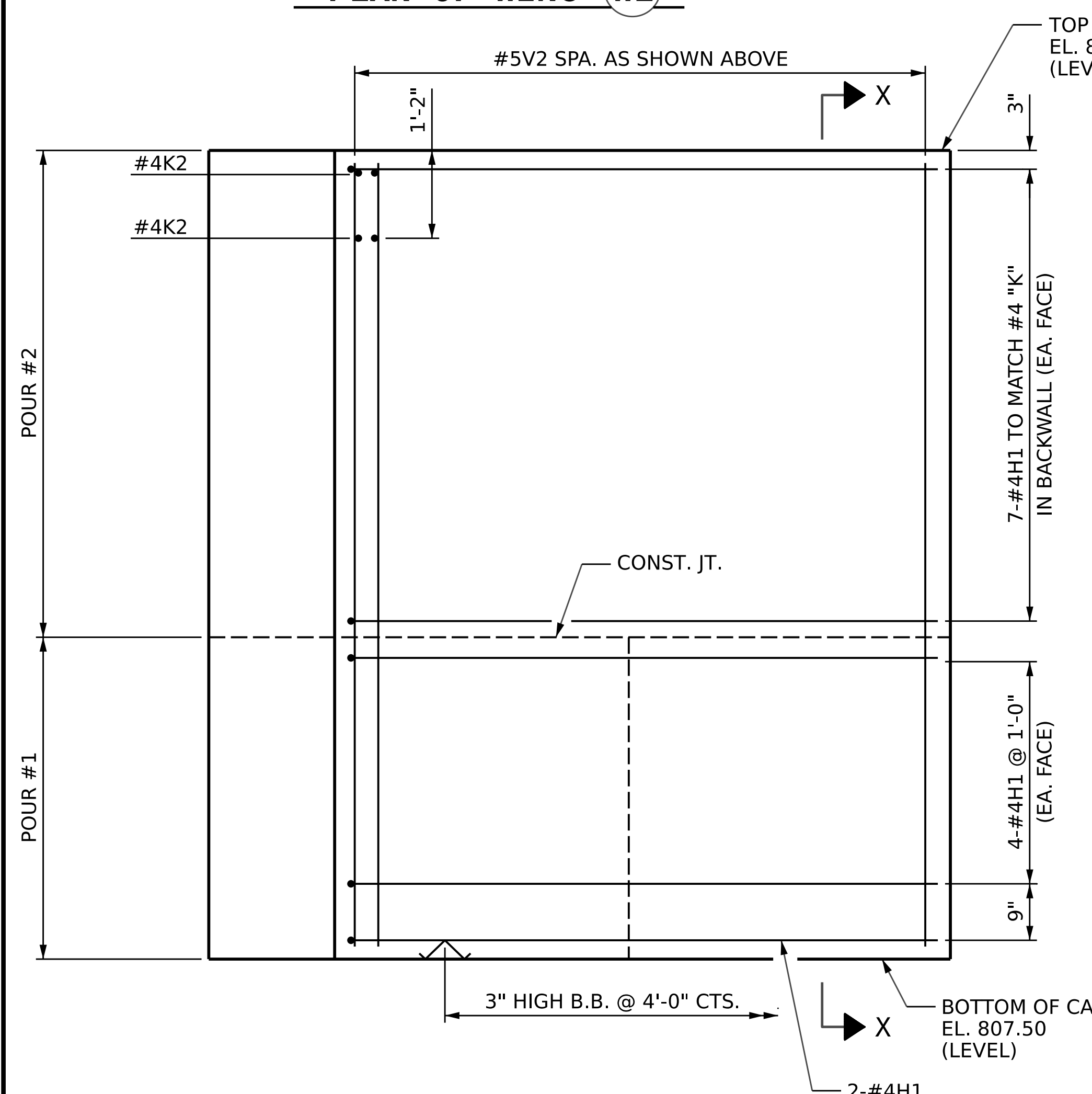


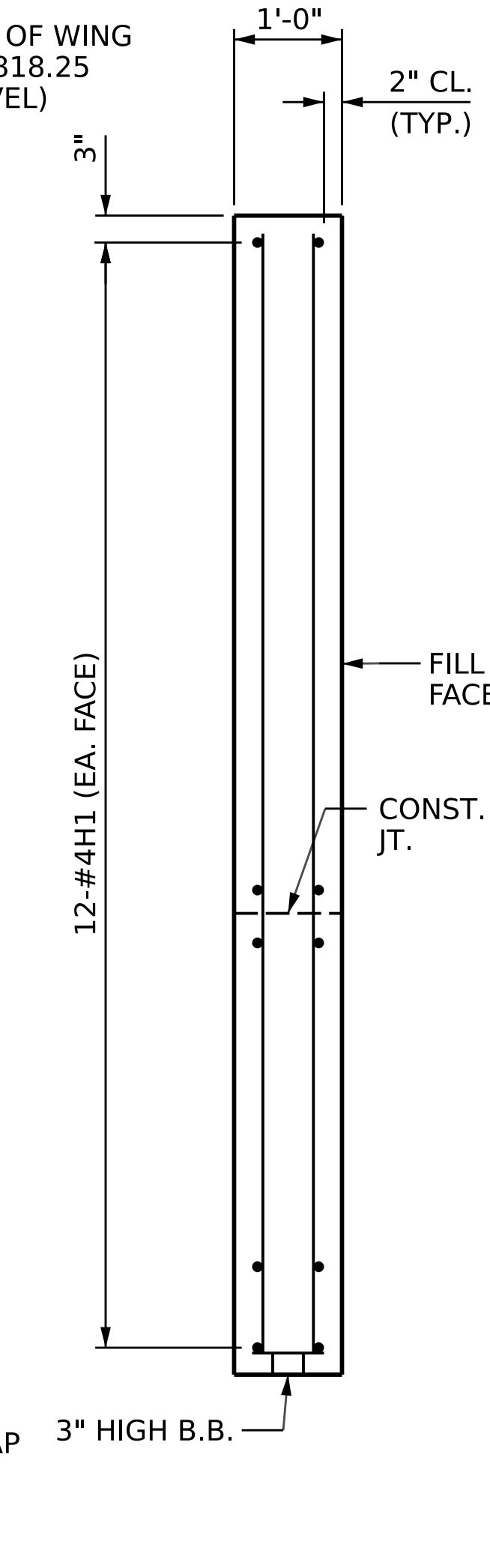
PLAN OF WING W1



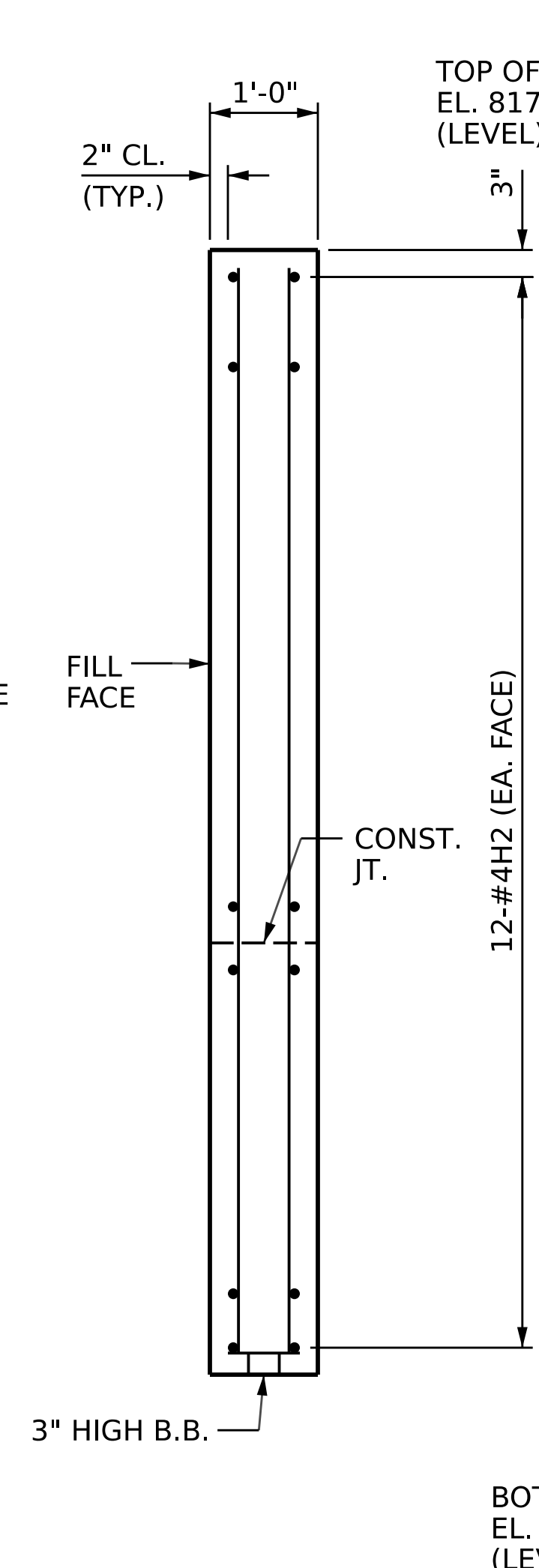
PLAN OF WING W2



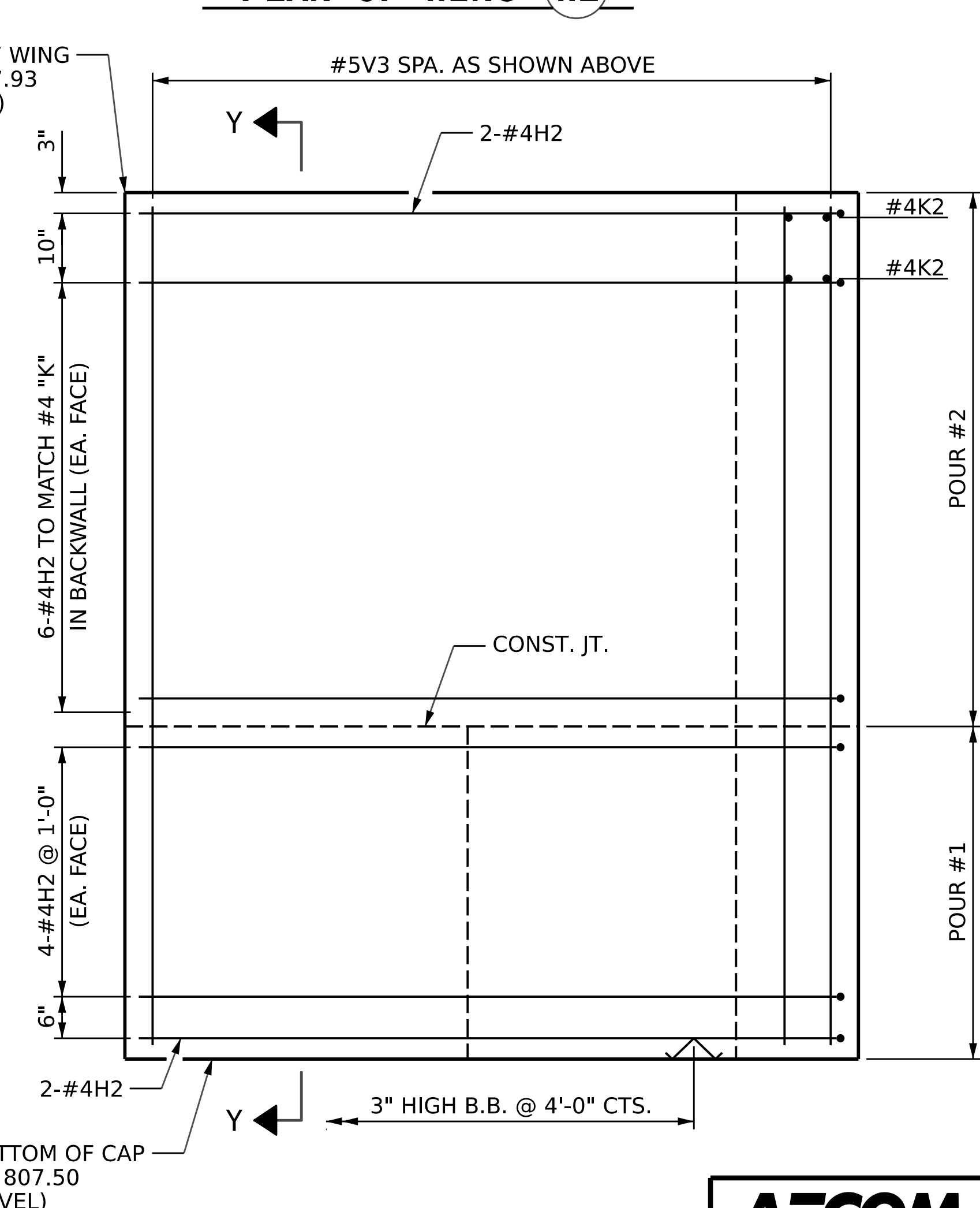
ELEVATION OF WING W1



SECTION X-X



SECTION Y-Y



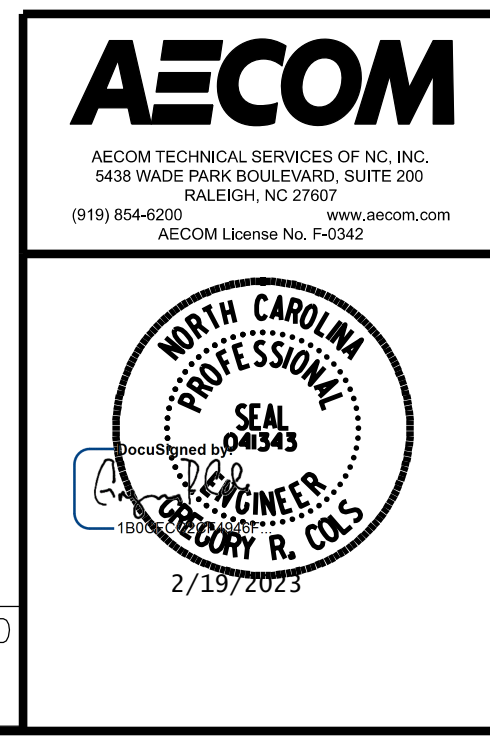
ELEVATION OF WING W2

PROJECT NO. BR-0041
 ROCKINGHAM COUNTY
 STATION: POT 34+73.00 -L-
 SHEET 3 OF 5

DRAWN BY : D.R. DRUM DATE : 09/2022
 CHECKED BY : S. NATARAJAN DATE : 10/2022
 DESIGN ENGINEER OF RECORD : G. COLS DATE : 12/2022

2/6/2023
 C:\pwworking\aecom.ds21.no.2020\d0125629\401.083.BR-0041.SMU.E203.S1-42.780001.dgn
 daniel.drum

DOCUMENT NOT CONSIDERED
 FINAL UNLESS ALL
 SIGNATURES COMPLETED



STATE OF NORTH CAROLINA DEPARTMENT OF TRANSPORTATION RALEIGH					
SUBSTRUCTURE END BENT 2 WINGWALLS					
REVISIONS					
NO.	BY:	DATE:	NO.	BY:	DATE:
1			3		
2			4		
					SHEET NO. S-42
					TOTAL SHEETS 48