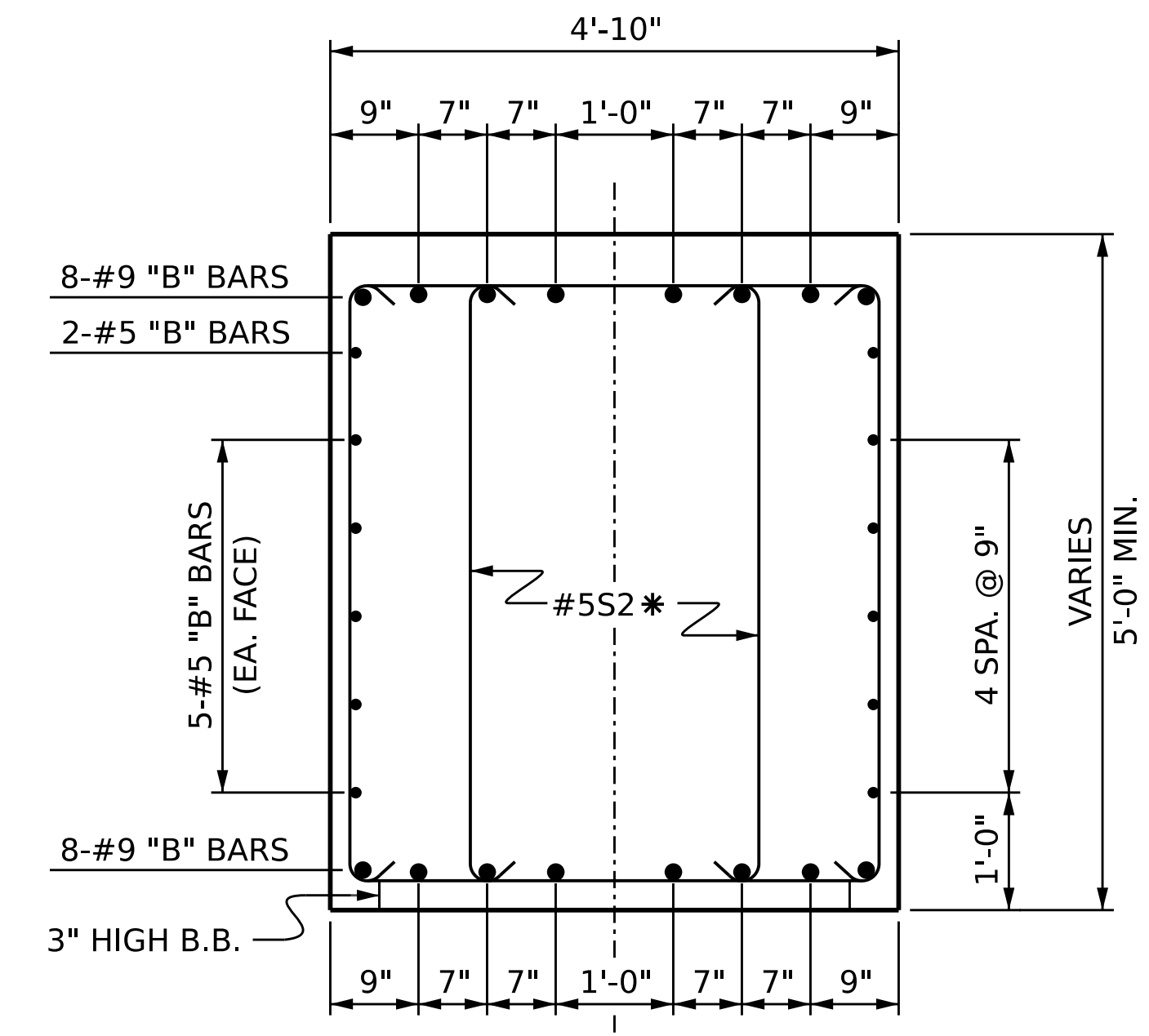
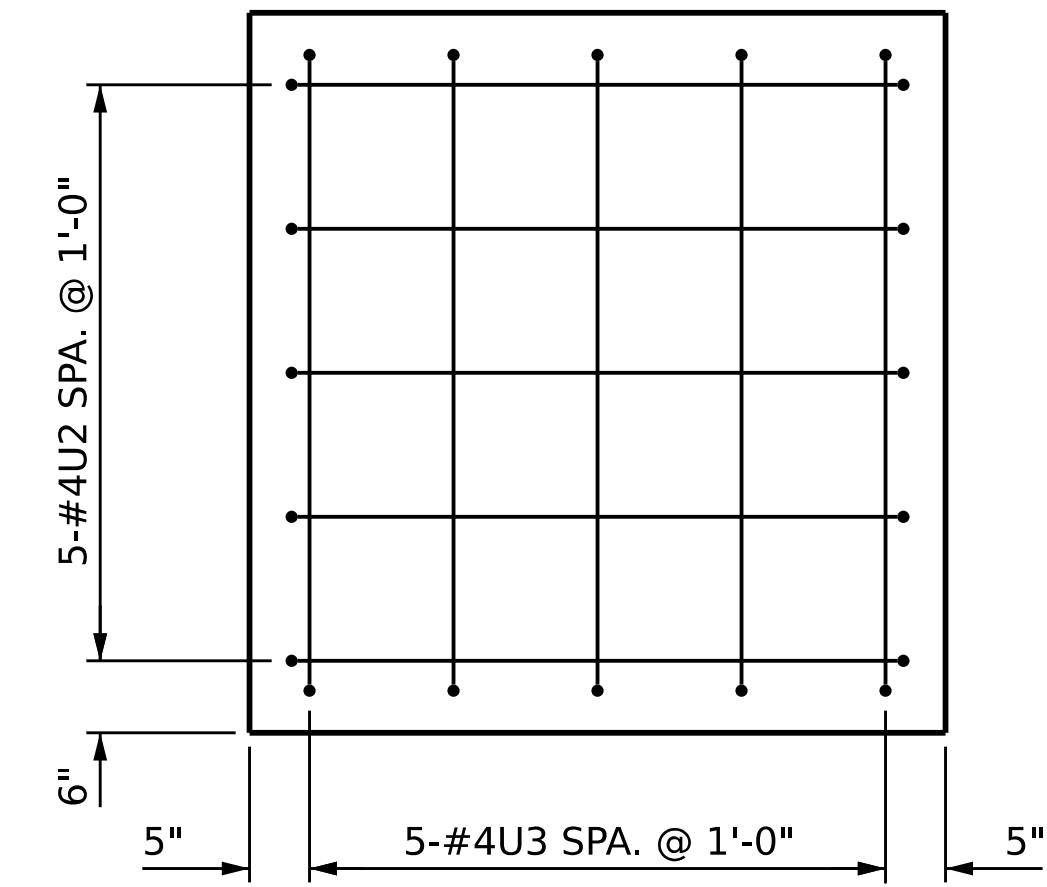


**SECTION A-A**

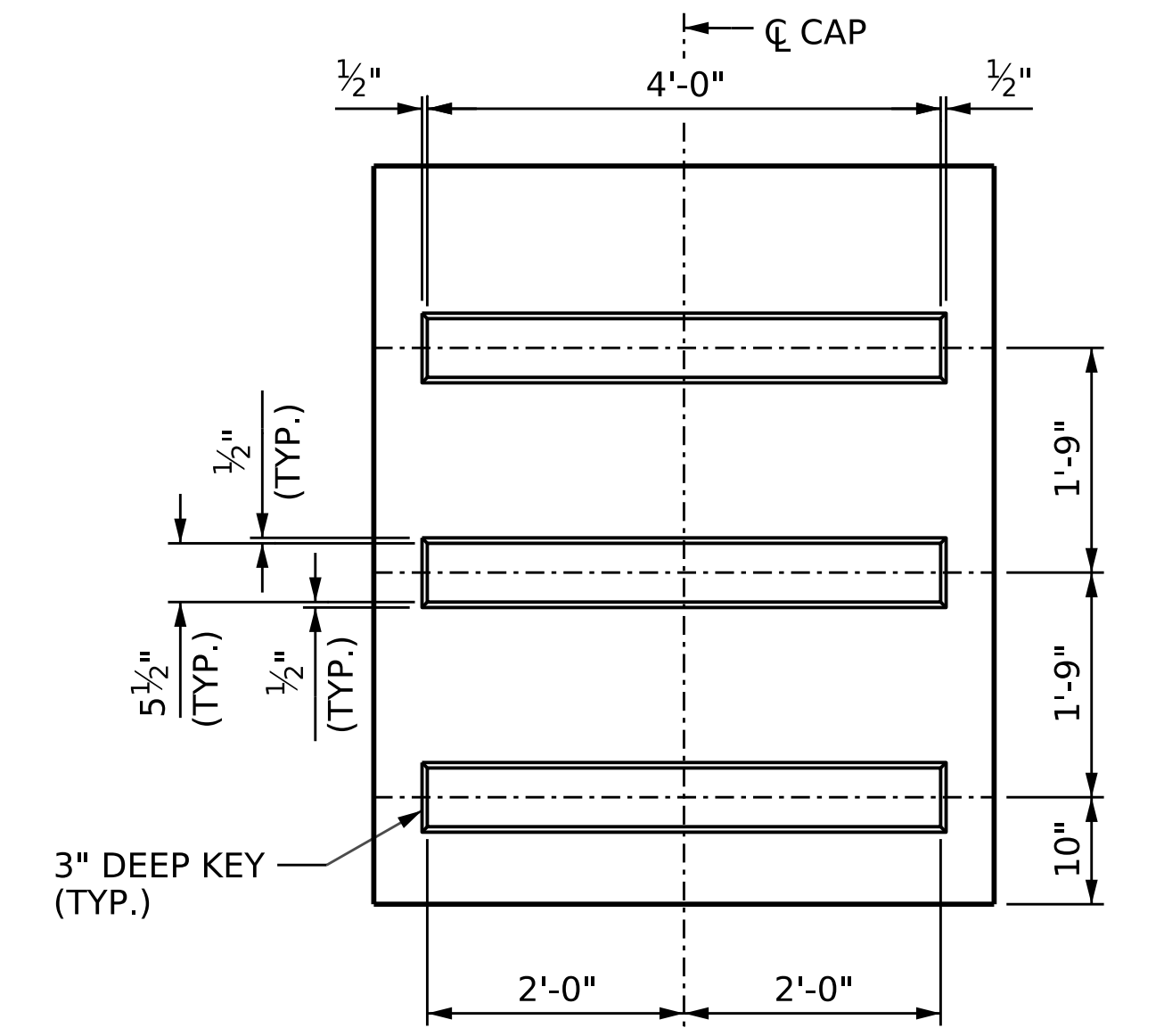


**SECTION B-B**

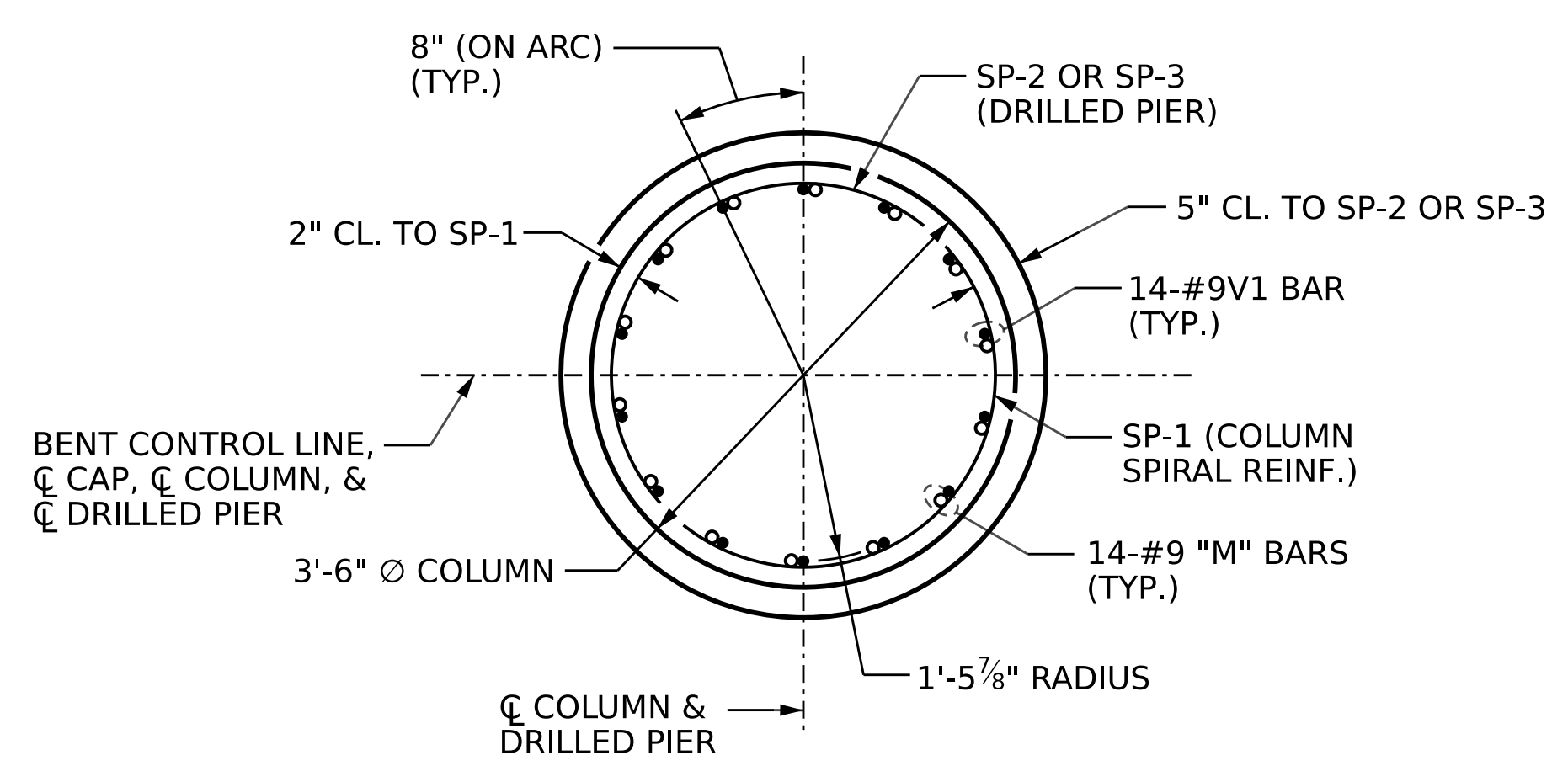
\*INVERT ALTERNATE PAIR OF STIRRUPS



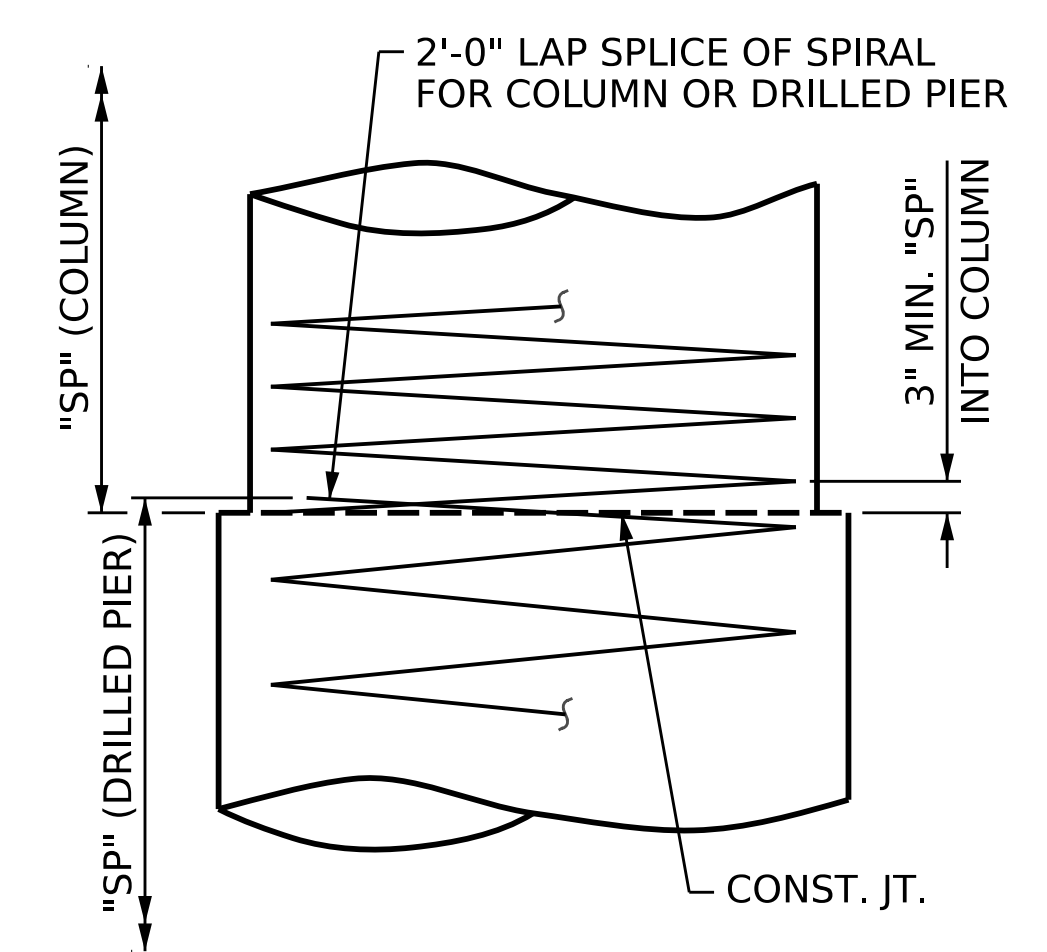
**CAP END VIEW**



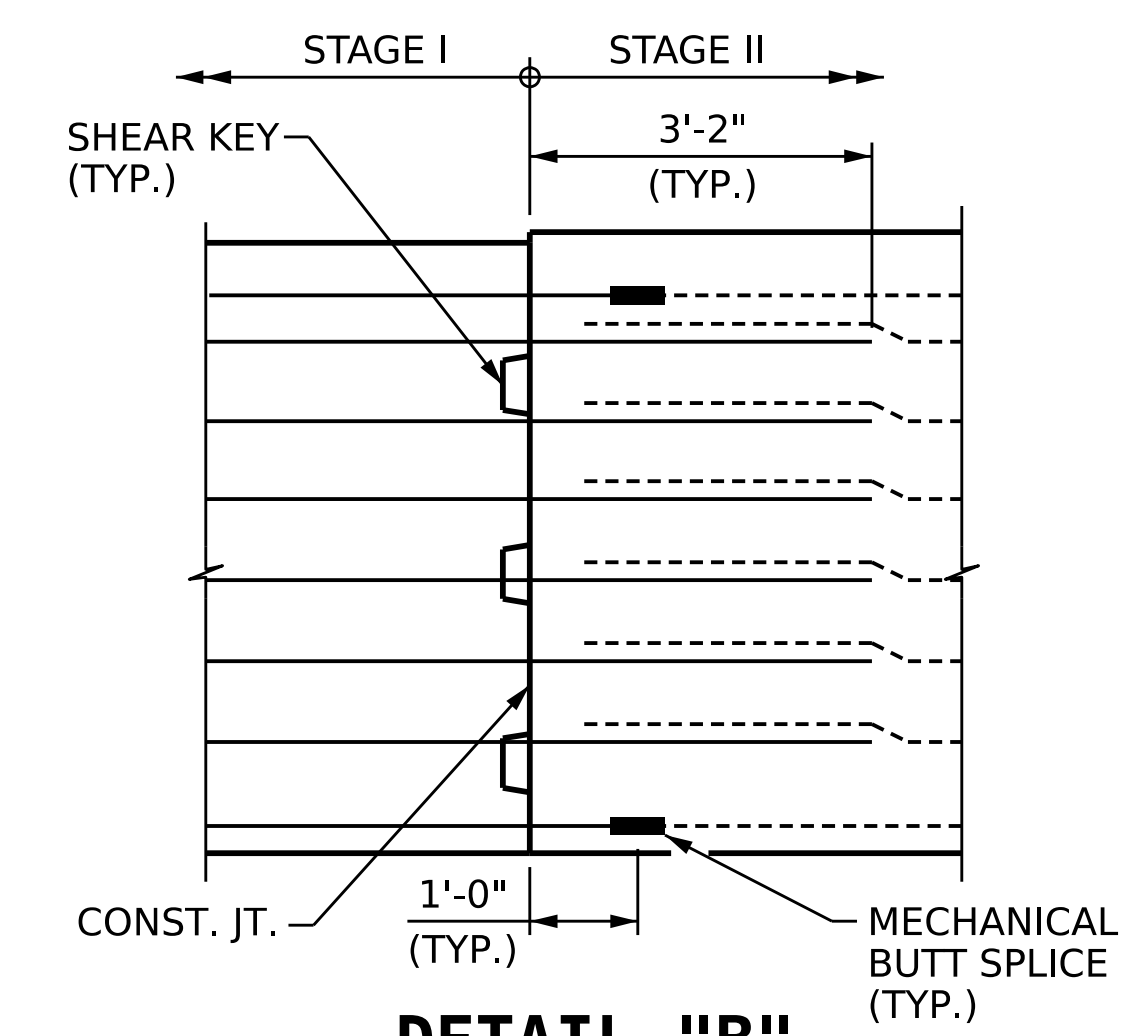
**SECTION X-X**



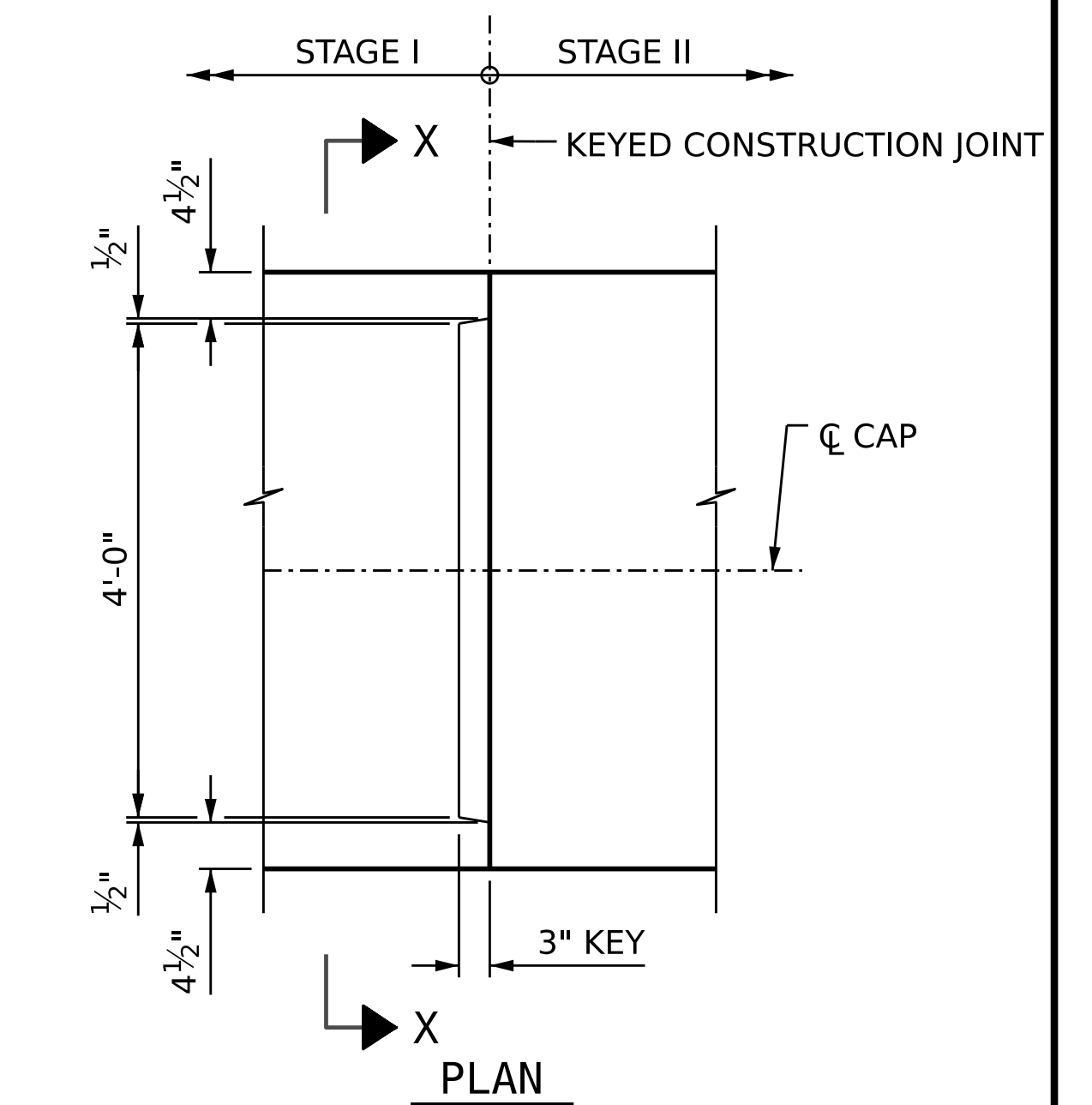
**SECTION THRU COLUMN & DRILLED PIER**



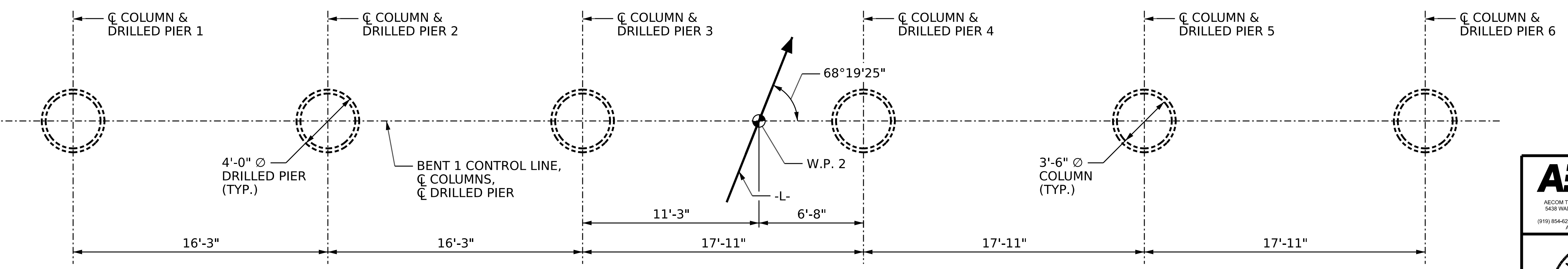
**CONSTRUCTION JOINT DETAIL**



**DETAIL "B"**



**KEYED CONSTRUCTION JOINT DETAIL**



**PLAN OF DRILLED PIERS AND COLUMNS**

PROJECT NO. BR-0041  
ROCKINGHAM COUNTY  
 STATION: POT 34+73.00 -L-  
 SHEET 3 OF 4

**AECOM**  
AECOM TECHNICAL SERVICES OF NC, INC.  
 5430 WADE PARK BOULEVARD, SUITE 200  
 RALEIGH, NC 27607  
 (919) 854-6200 www.aecom.com  
 AECOM License No. F0242

**SEAL**  
 NORTH CAROLINA PROFESSIONAL ENGINEER  
 DANIEL DRUM  
 2/19/2023

STATE OF NORTH CAROLINA DEPARTMENT OF TRANSPORTATION RALEIGH					
<b>SUBSTRUCTURE BENT 1</b>					
REVISIONS					
NO.	BY:	DATE:	NO.	BY:	DATE:
1			3		
2			4		
SHEET NO.					S-38
TOTAL SHEETS					48

DRAWN BY :	D.R. DRUM	DATE :	09/2022
CHECKED BY :	S. NATARAJAN	DATE :	10/2022
DESIGN ENGINEER OF RECORD:	G. COLS	DATE :	12/2022

DOCUMENT NOT CONSIDERED  
 FINAL UNLESS ALL  
 SIGNATURES COMPLETED