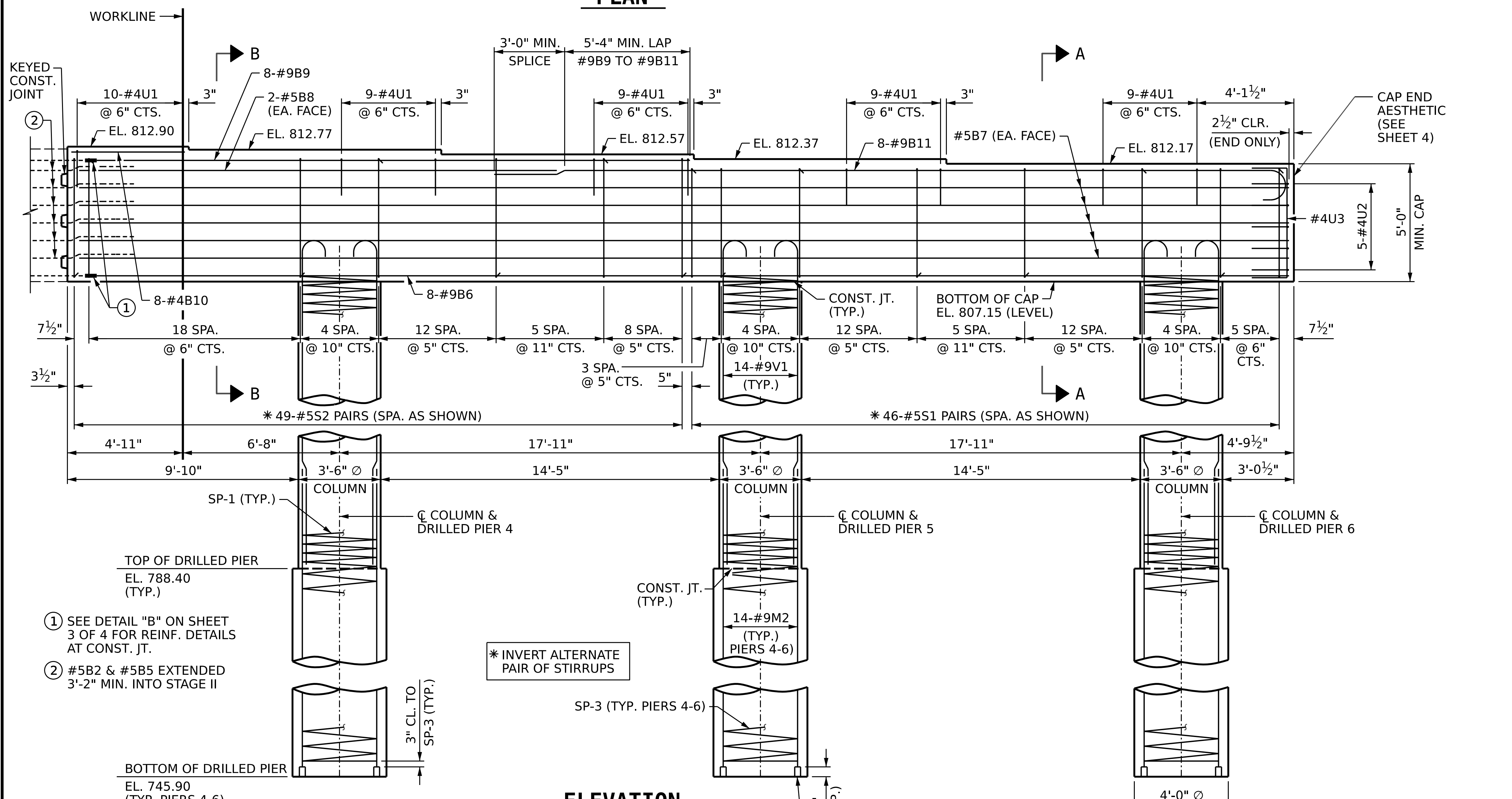


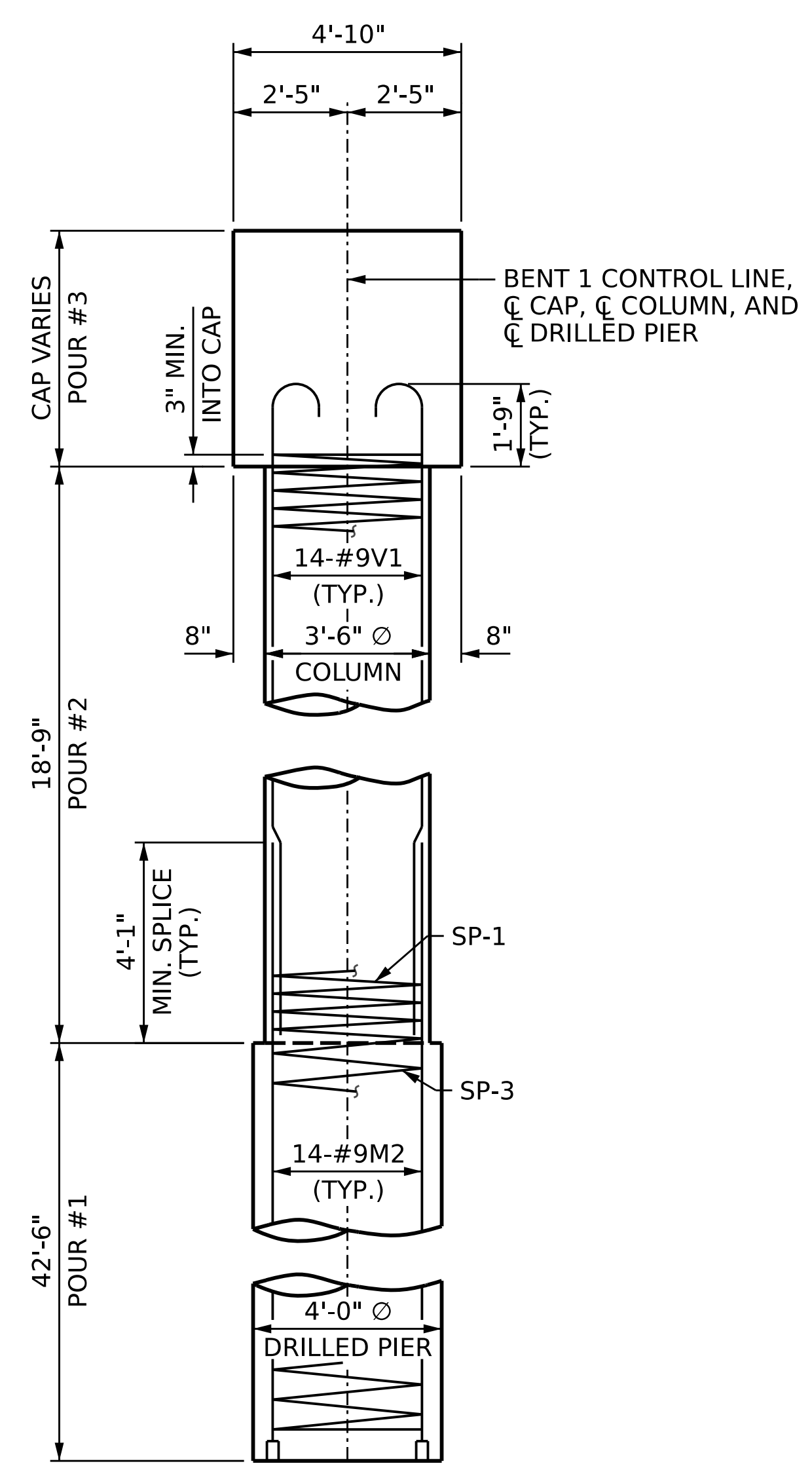
PLAN



ELEVATION

NOTES:

FOR NOTES AND DETAIL "A", SEE SHEET 1 OF 4.
 FOR CONSTRUCTION JOINT DETAIL, SECTIONS A-A AND B-B, SECTION THRU COLUMN, CAP END VIEW, DETAIL "B", AND SHEAR KEY DETAIL, SEE SHEET 3 OF 4.



STAGE II END ELEVATION

PROJECT NO. BR-0041
ROCKINGHAM COUNTY
 STATION: POT 34+73.00 -L-
 SHEET 2 OF 4

AECOM
AECOM TECHNICAL SERVICES OF NC, INC.
 5430 WADE PARK BOULEVARD, SUITE 200
 RALEIGH, NC 27607
 (919) 854-6200 www.aecom.com
 AECOM License No. F0242

NORTH CAROLINA PROFESSIONAL SEAL
REGISTERED PROFESSIONAL ENGINEER
 GREGORY R. COLS
 2/19/2023

STATE OF NORTH CAROLINA DEPARTMENT OF TRANSPORTATION RALEIGH						SHEET NO. S-37
SUBSTRUCTURE BENT 1 STAGE II						
REVISIONS						TOTAL SHEETS 48
NO.	BY:	DATE:	NO.	BY:	DATE:	
1			3			
2			4			

DRAWN BY:	D.R. DRUM	DATE:	09/2022
CHECKED BY:	S. NATARAJAN	DATE:	10/2022
DESIGN ENGINEER OF RECORD:	G. COLS	DATE:	12/2022

DOCUMENT NOT CONSIDERED FINAL UNLESS ALL SIGNATURES COMPLETED