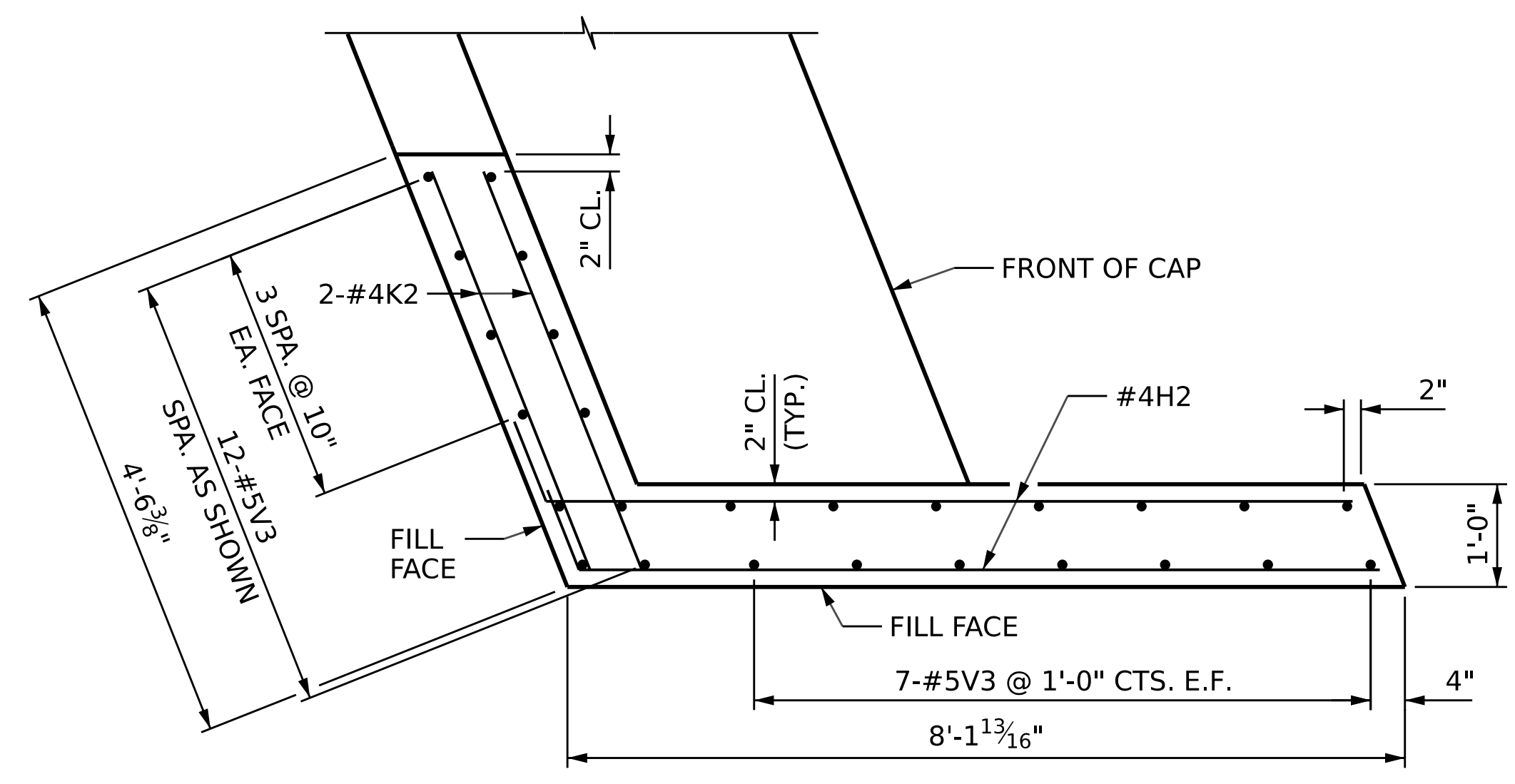
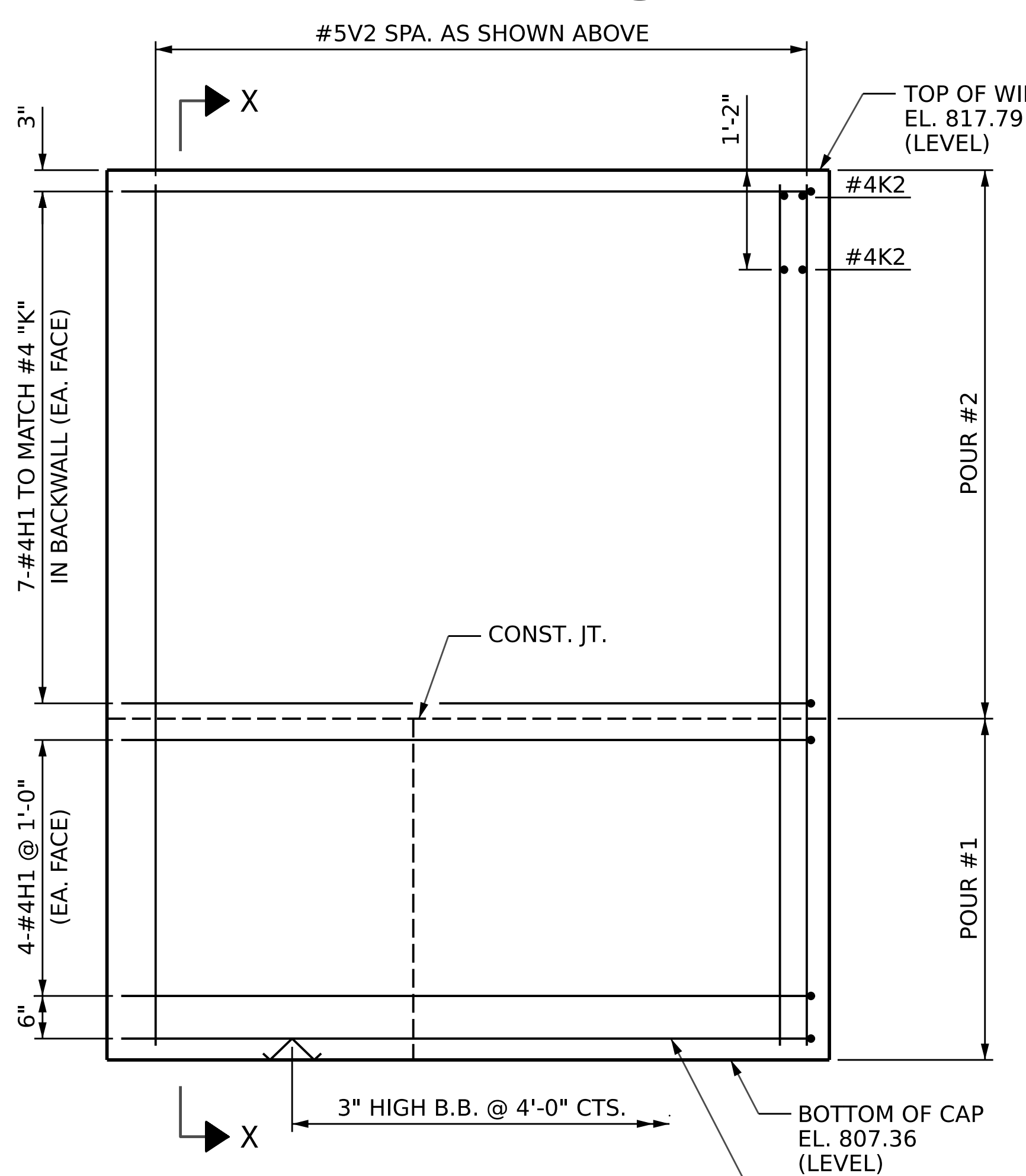


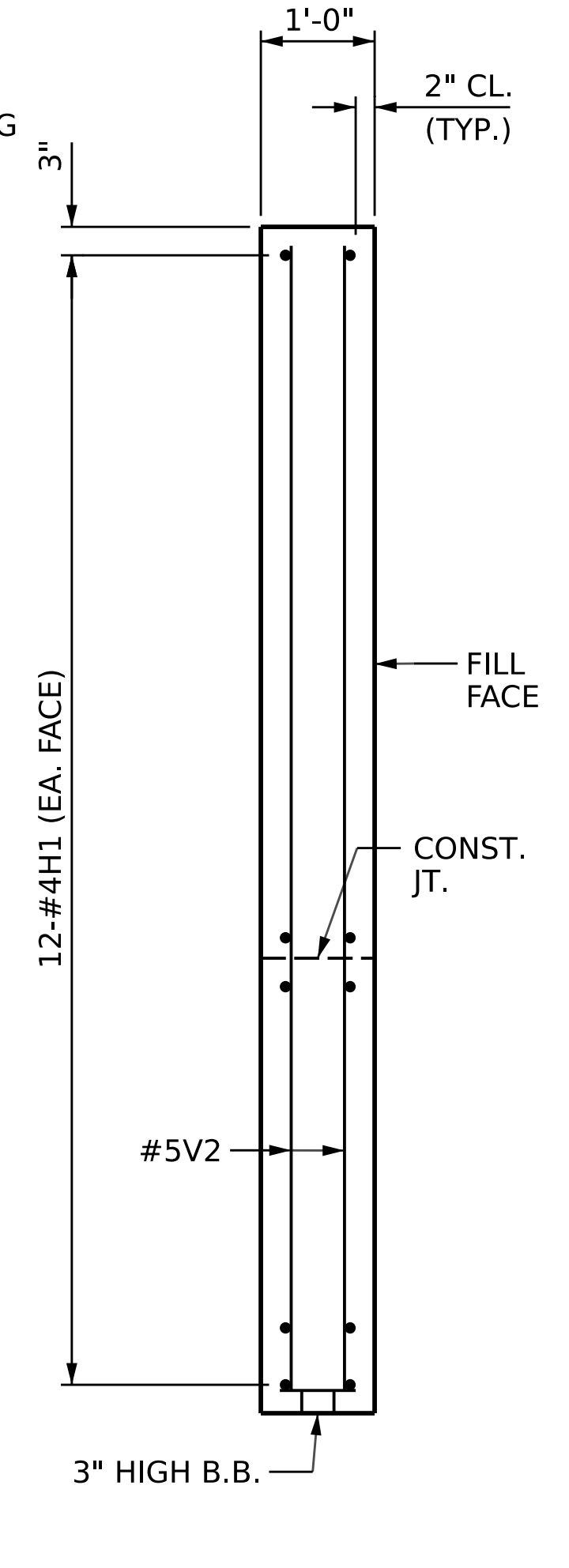
PLAN OF WING (W1)



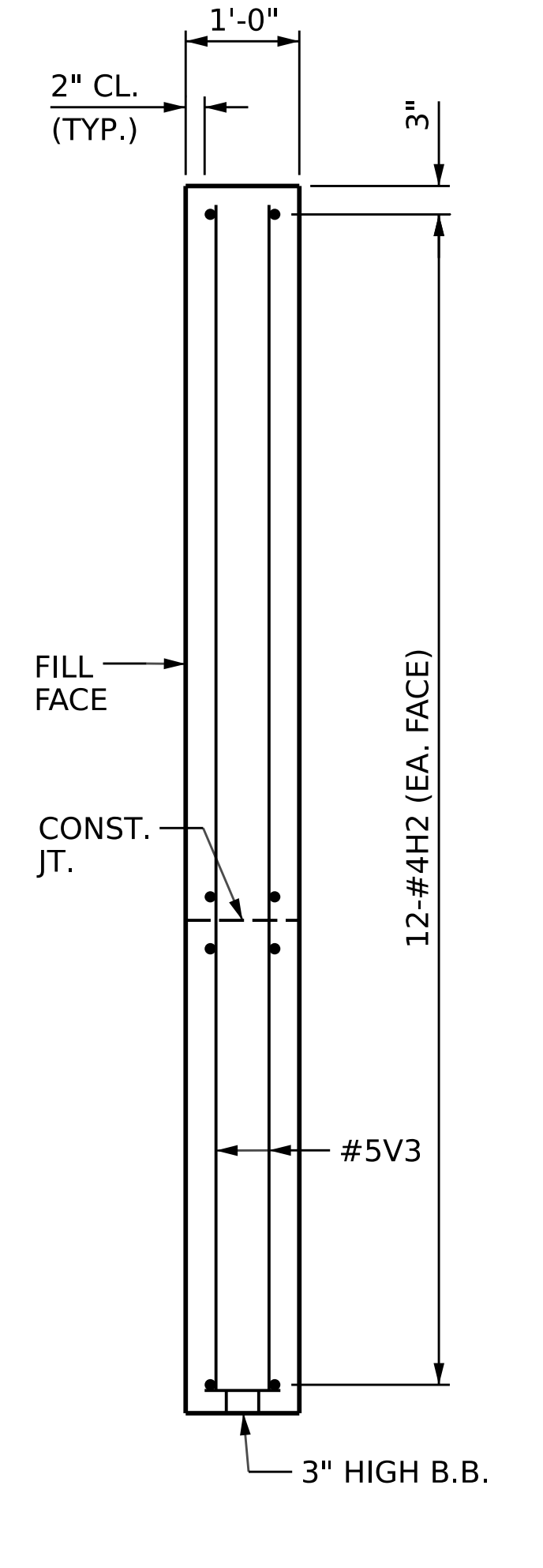
PLAN OF WING (W2)



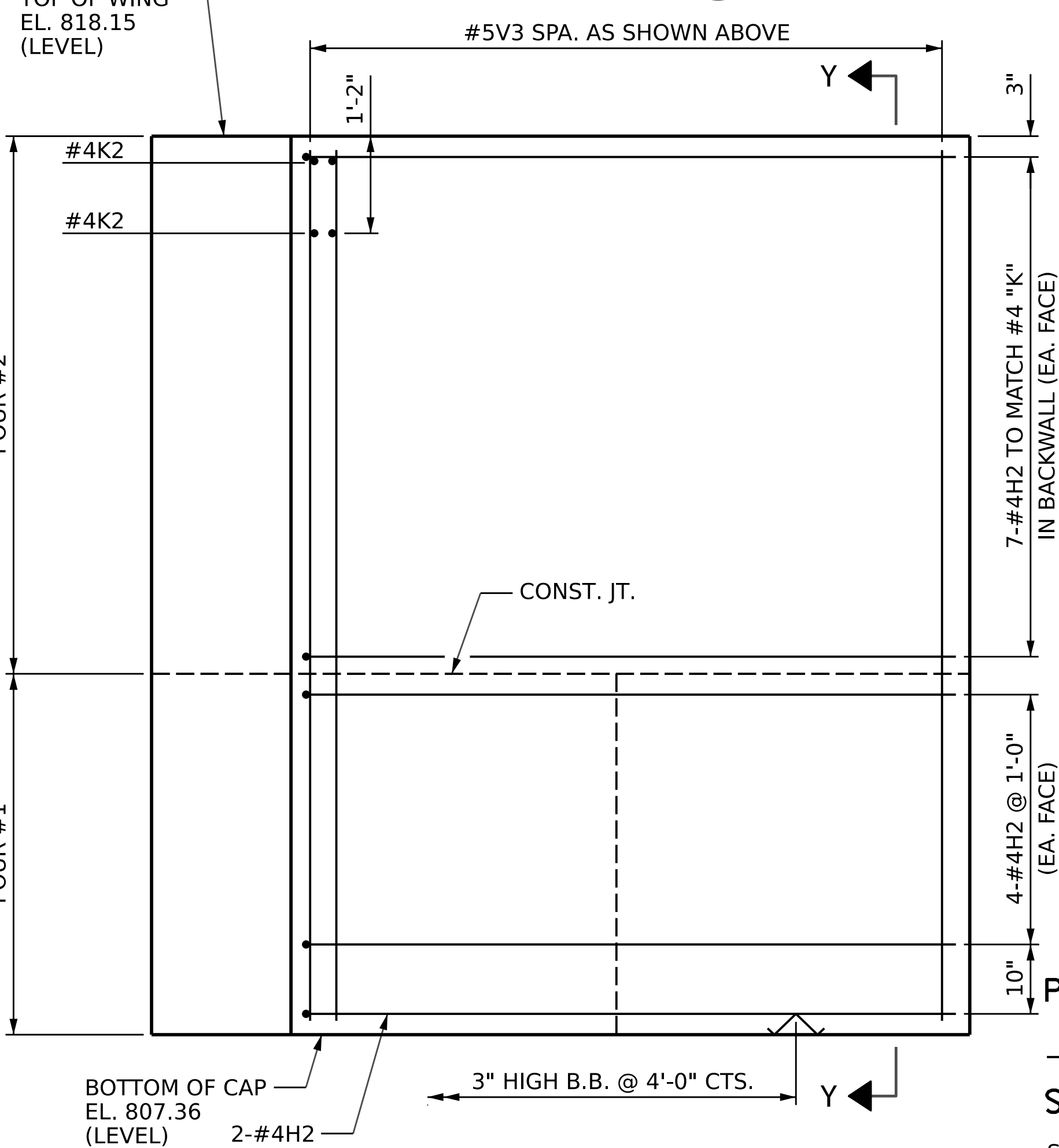
ELEVATION OF WING (W1)



SECTION X-X



SECTION Y-Y



ELEVATION OF WING (W2)

PROJECT NO. BR-0041
 ROCKINGHAM COUNTY
 STATION: POT 34+73.00 -L-
 SHEET 3 OF 5

AECOM
AECOM TECHNICAL SERVICES OF NC, INC.
 5430 WADE PARK BOULEVARD, SUITE 200
 RALEIGH, NC 27607
 (919) 854-6200 www.aecom.com
 AECOM License No. F0242

NORTH CAROLINA PROFESSIONAL SEAL
 04343
 DANIEL DRUM
 CIVIL ENGINEER
 CARY, N.C.
 2/19/2023

STATE OF NORTH CAROLINA DEPARTMENT OF TRANSPORTATION RALEIGH					
SUBSTRUCTURE END BENT 1 WINGWALLS					
REVISIONS					
NO.	BY:	DATE:	NO.	BY:	DATE:
1			3		
2			4		
SHEET NO.					S-33
TOTAL SHEETS					48

DRAWN BY :	D.R. DRUM	DATE :	09/2022
CHECKED BY :	S. NATARAJAN	DATE :	10/2022
DESIGN ENGINEER OF RECORD:	G. COLS	DATE :	12/2022

DOCUMENT NOT CONSIDERED
 FINAL UNLESS ALL
 SIGNATURES COMPLETED