

NOTES:

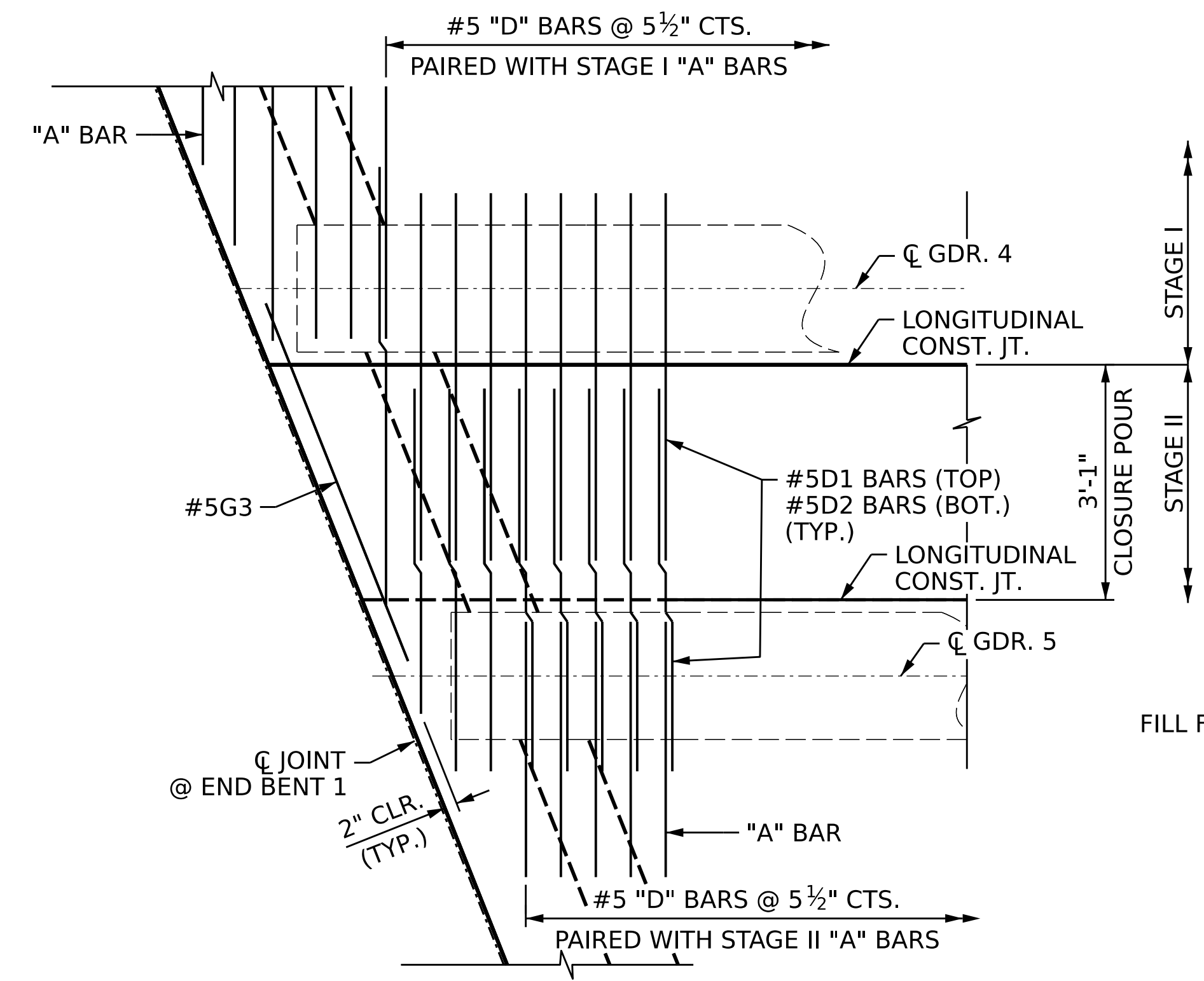
FOR REINFORCING STEEL IN SIDEWALK & MEDIAN, SEE RESPECTIVE DETAIL SHEETS.

FOR SECTION VIEWS, SEE "TYPICAL SECTION DETAILS" SHEET.

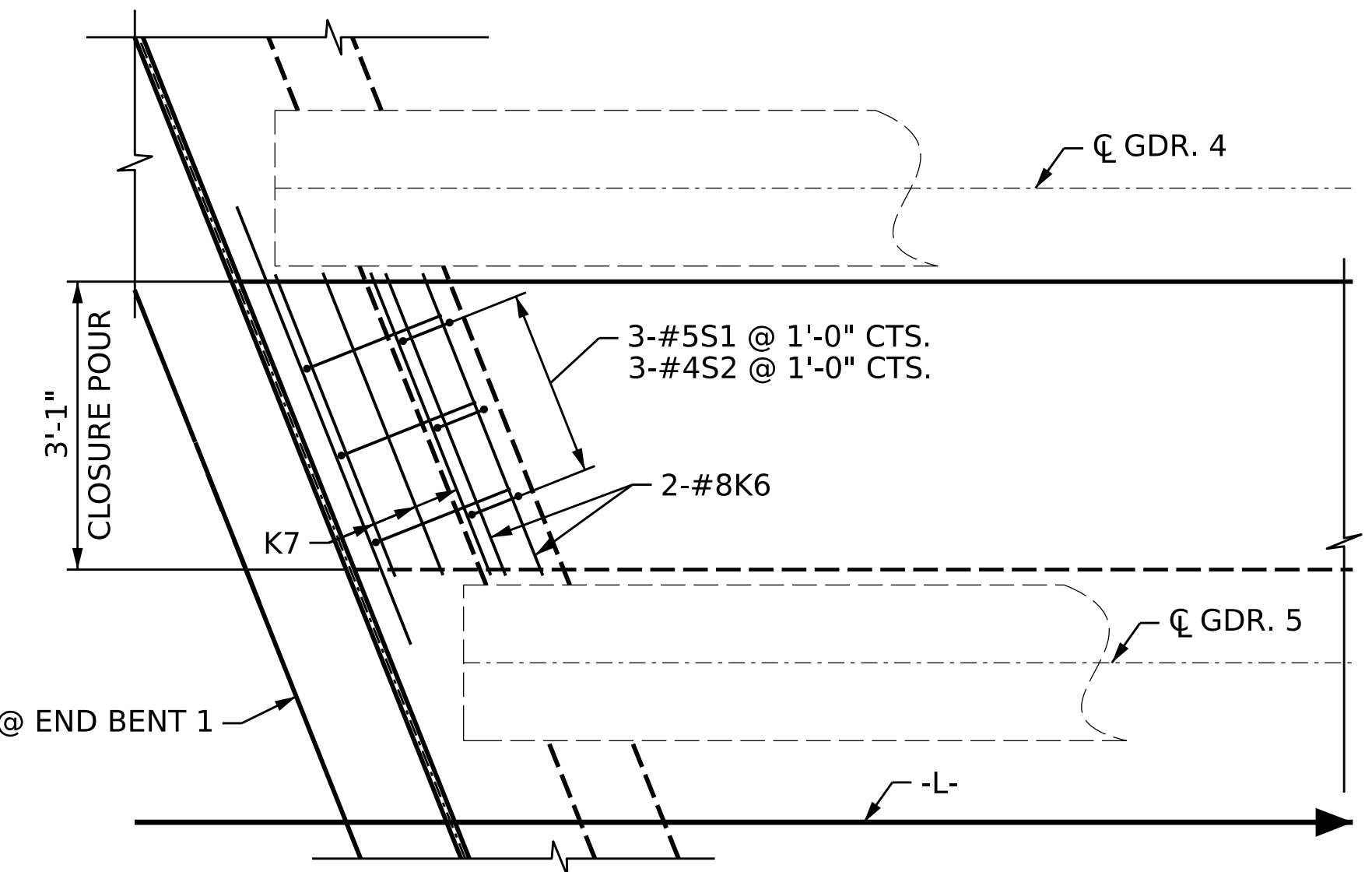
FOR TRANSVERSE CONSTRUCTION JOINT DETAIL SEE "TYPICAL SECTION DETAILS" SHEET.

LINK SLAB SAW CUT SHALL EXTEND TO EDGE OF DECK.

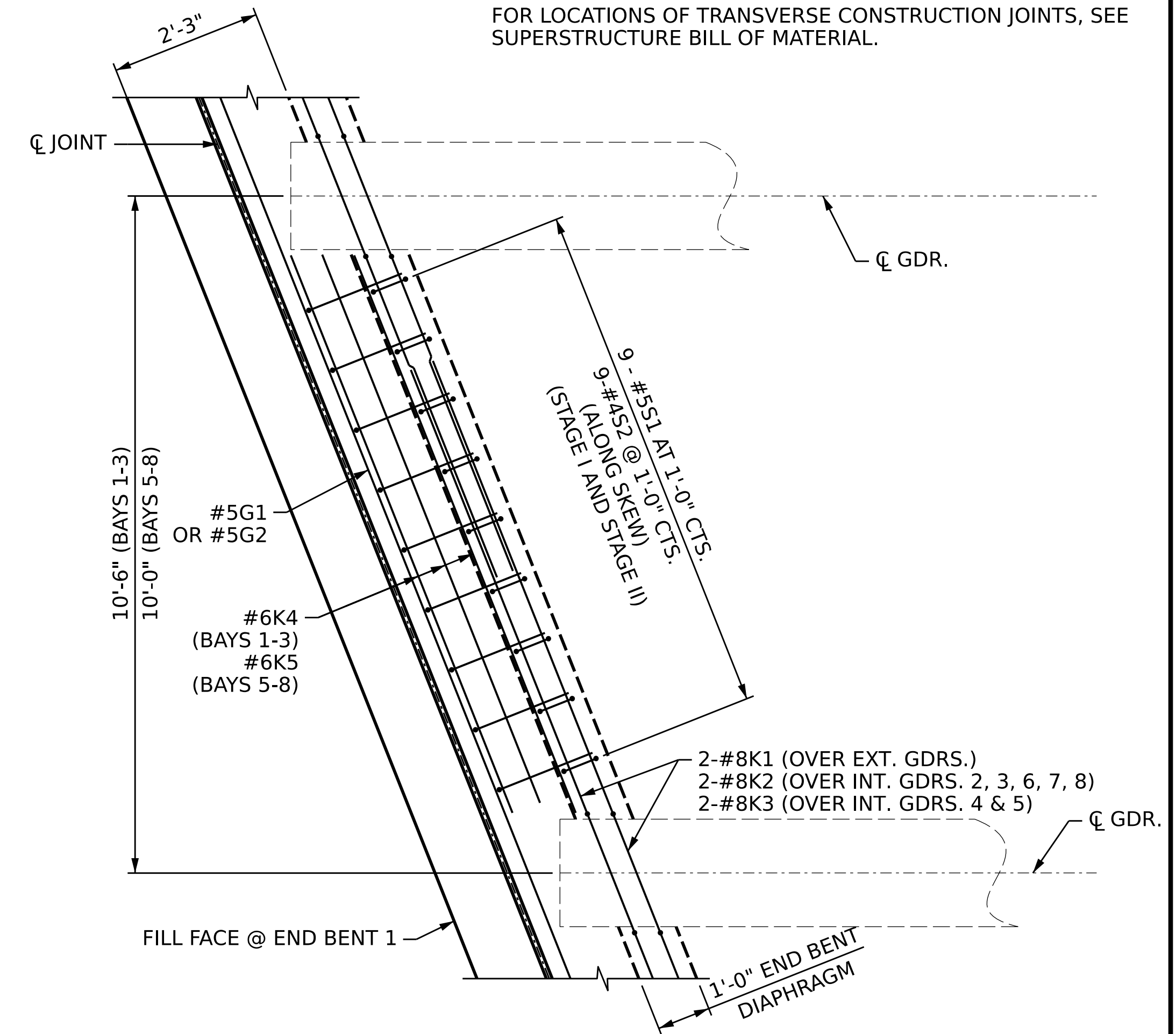
FOR LOCATIONS OF TRANSVERSE CONSTRUCTION JOINTS, SEE SUPERSTRUCTURE BILL OF MATERIAL.



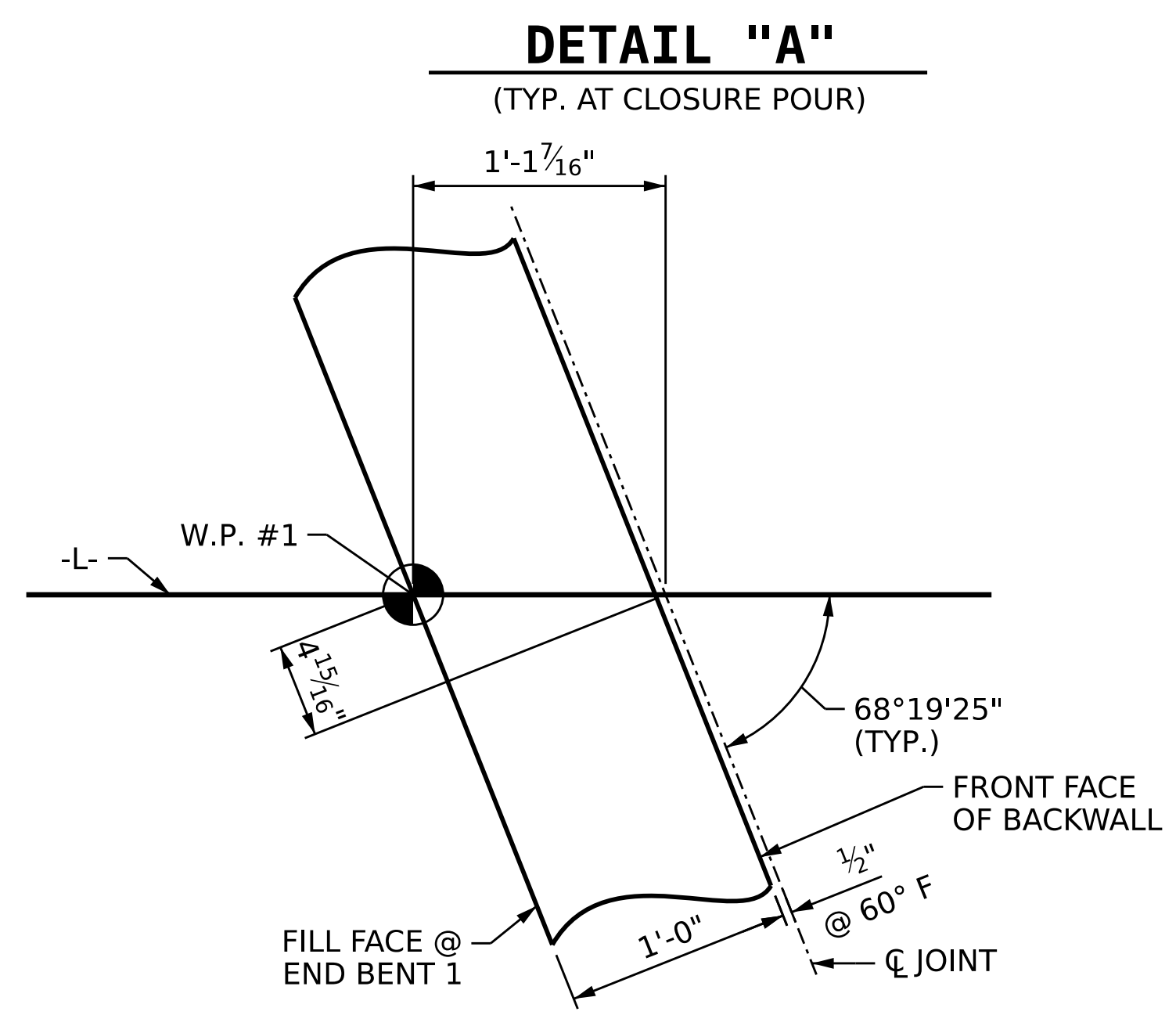
DECK REINFORCEMENT



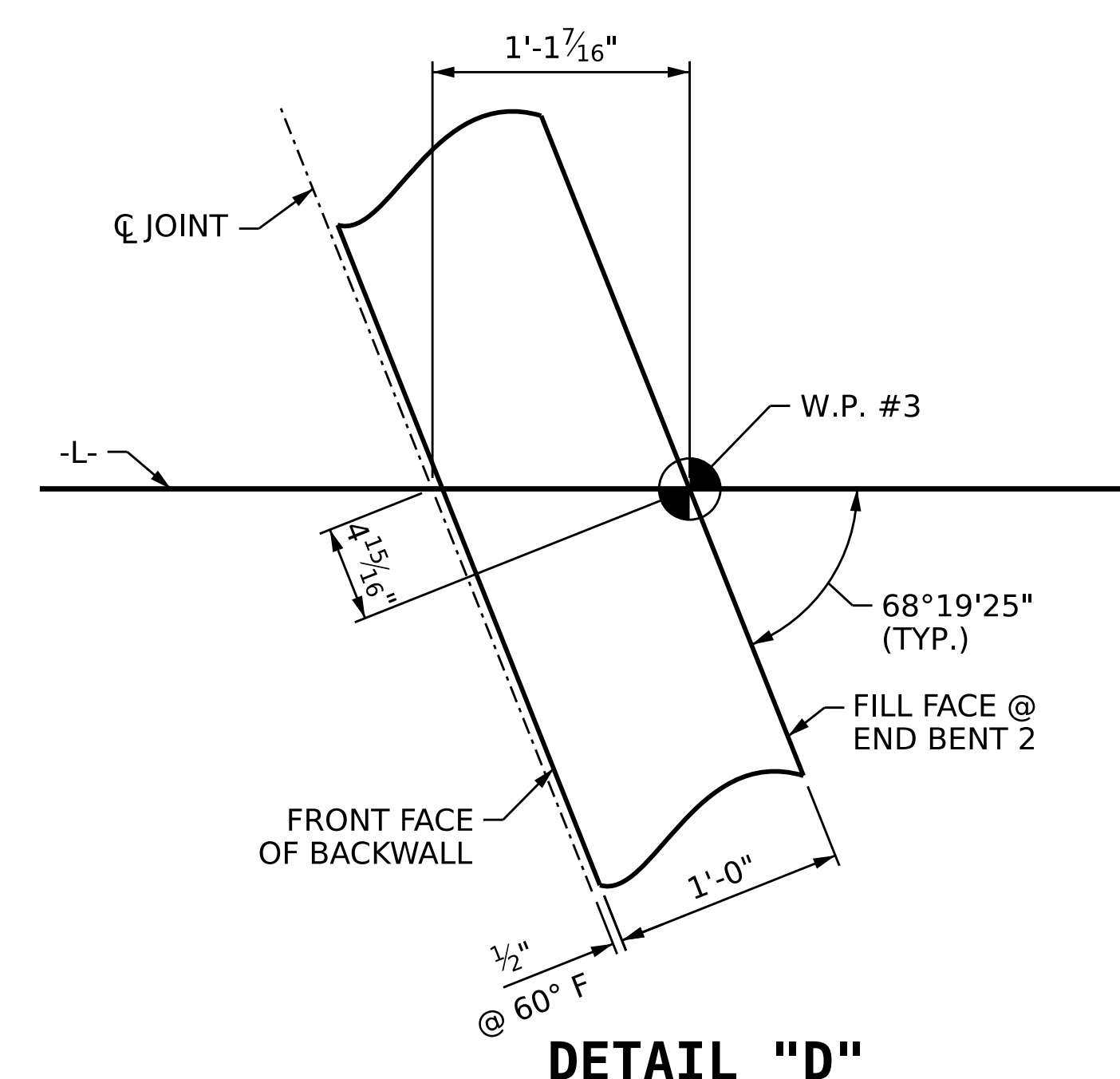
END BENT DIAPHRAGM
(TYP. BAY 4)



DETAIL "B"
(BAYS 1-3, 5-8)



DETAIL "A"
(TYP. AT CLOSURE POUR)



DETAIL "D"

PROJECT NO. BR-0041
ROCKINGHAM COUNTY
 STATION: POT 34+73.00 -L-
 SHEET 5 OF 5

AECOM
AECOM TECHNICAL SERVICES OF NC, INC.
 5430 WADE PARK BOULEVARD, SUITE 200
 RALEIGH, NC 27607
 (919) 854-6200 www.aecom.com
 AECOM License No. F0242

NORTH CAROLINA PROFESSIONAL SEAL
 REGISTERED PROFESSIONAL ENGINEER
 CHERYL R. COLS
 2/19/2023

STATE OF NORTH CAROLINA DEPARTMENT OF TRANSPORTATION RALEIGH						SHEET NO.
SUPERSTRUCTURE						S-16
PLAN OF SPAN DETAILS						TOTAL SHEETS 48
REVISIONS						
NO.	BY:	DATE:	NO.	BY:	DATE:	
1			3			
2			4			

DRAWN BY: M.L. CATER DATE: 10/2022
 CHECKED BY: G.R. COLS DATE: 10/2022
 DESIGN ENGINEER OF RECORD: G. COLS DATE: 12/2022

DOCUMENT NOT CONSIDERED
 FINAL UNLESS ALL
 SIGNATURES COMPLETED